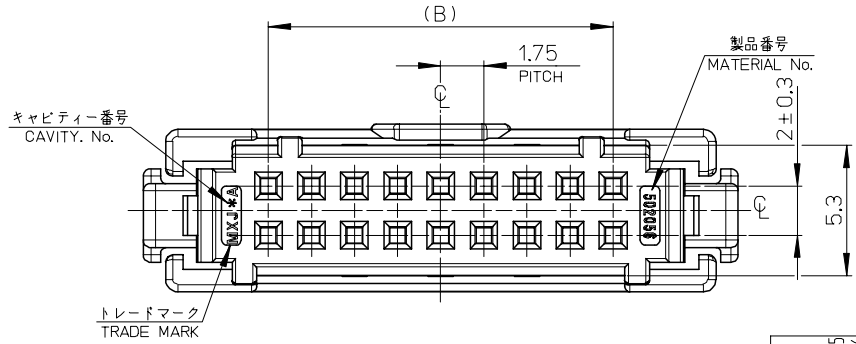
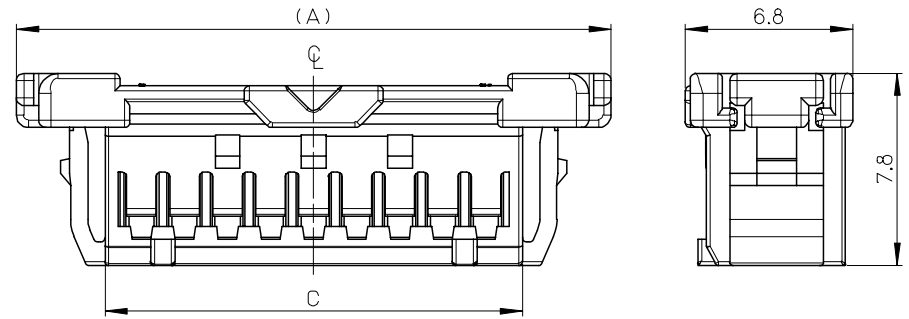
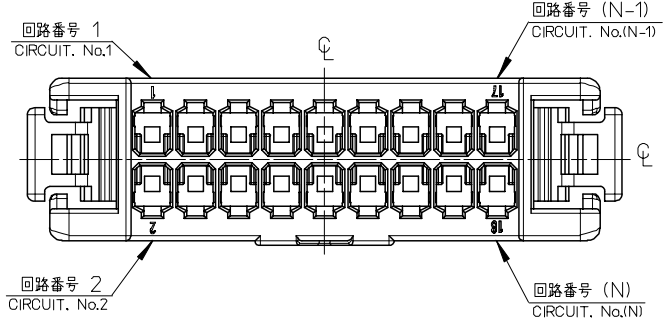
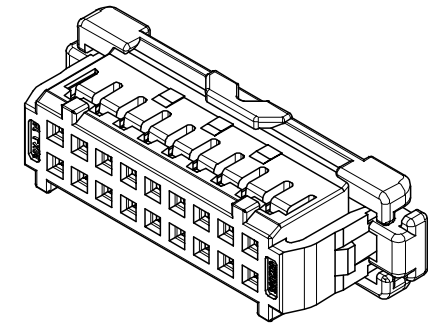


NOTES

- ① 適合ターミナル: 502057シリーズ
APPLICABLE TERMINAL: 502057 SERIES
- 2. 嵌合相手: 502055,502125,502109シリーズ
MATE WITH: 502055,502125,502109 SERIES
- ③ (極数/2)=(偶数)に適用。
APPLY FOR CIRCUIT. SIZE / 2 = EVEN.
- ④ 製品番号は以下の内容を示す。
THE MATERIAL No. SHOWS THE FOLLOWING CONTENT.
<MATERIAL No.>
502056-**0*
極数 CIRCUIT SIZE | 色 COLOR
- 5. ハーネス加工時及び輸送時においては、コネクタ間での絡みや、衝撃、梱包時の積み重ねによる負荷がかからないようにご注意ください。
WHEN TAKING A HARNESS, CONNECTOR SHELL BE USED FREE FROM DIRECT EXCESSIVE FORCE AND TWISTED.
- 6. ELV及びRoHS適合品
ELV AND RoHS COMPLIANT.
- 7. 製品の取り扱いについては、コネクタ取り扱い説明書(AS-502056-001)を参照願います。
PLEASE REFER TO INSTRUCTION MANUAL(AS-502056-001) FOR 1.75 W/B CONN. DUAL ROW.

自然色 NATURAL	0	全極数
赤 RED	2	全極数
青 BLUE	4	全極数
緑 GREEN	6	全極数
茶 BROWN	7	全極数
紫 PURPLE	9	12極18極
色 COLOR	COLOR No.	適応極数 ADAPTATION CIRCUIT

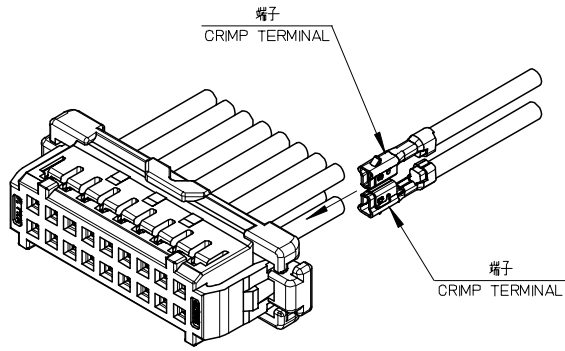


SEE NOTE ④ 注記 参照	16.95	14	24.15	502056-180*	18	502056-**0*
	13.45	10.5	20.65	502056-140*	14	
	11.7	8.75	18.9	502056-120*	12	
	9.95	7	17.15	502056-100*	10	
	8.2	5.25	15.4	502056-080*	8	
適応色 ADAPTATION COLOR	C	B	A	製品番号 MATERIAL No.	極数 CIRCUIT	MODEL No.

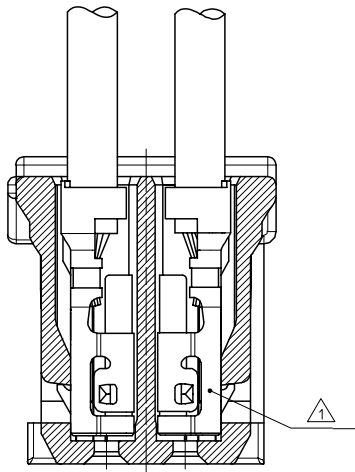
REVISED EC No: J2008-1297 DRW:SSAT002 CHK:DN.MATSUURA APPR:YO.IITO	DESCRIPTION 2007/10/15 2007/10/16 2007/10/16	GENERAL TOLERANCES (UNLESS SPECIFIED)		DIMENSION STYLE MM ONLY		SCALE 4:1	DESIGN UNITS METRIC	THIRD ANGLE PROJECTION	
		10 UNDER	±0.2	DRAWN BY S. AKIYAMA	DATE 2007/05/31	TITLE 1.75 W/B CONN. DUAL ROW REC. HS'G			
		10 OVER 30 UNDER	±0.25	CHECKED BY N. MATSUURA	DATE 2007/05/31	MOLEX INCORPORATED			
		30 OVER	±0.3	APPROVED BY YO. ITO	DATE 2007/05/31				
		ANGULAR ±3 °		DRAFT WHERE APPLICABLE MUST REMAIN WITHIN DIMENSIONS		MATERIAL No.	DOCUMENT No.	SHEET No.	
				SEE CHART	SD-502056-001	1 OF 2			

部品 PART	材質 MATERIAL	色: NOTE ④ 参照 COLOR: SEE NOTE ④.
ハウジング HOUSING	66ナイロン, UL94V-0 66NYLON, UL94V-0	

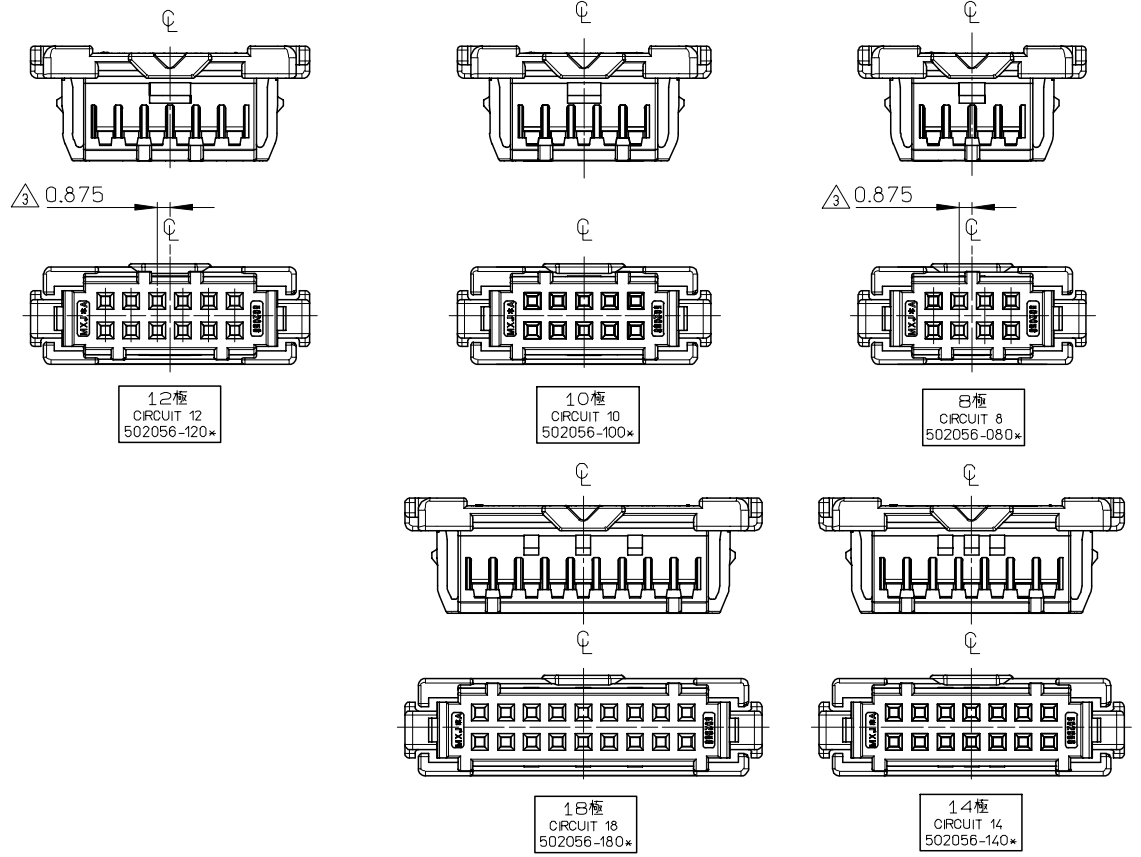
10 9 8 7 6 5 4 3 2 1



端子装着状態図
CRIMP TERMINAL ASSEMBLY DRAWING



端子装着状態断面図
CRIMP TERMINAL ASSEMBLY DRAWING
(SCALE 20:1)



各極外觀図(8、10、12、14、18極)
VIEW OF 8,10,12,14,18 CIRCUIT.
(SCALE 3:1)

REVISED EC NO: J2008-1297 DRWNGSATO02 2007/10/15 CHKDN.MATSUURA 2007/10/16 APPR:YO.ITO 2007/10/16 REV B	GENERAL TOLERANCES (UNLESS SPECIFIED)		DIMENSION STYLE MM ONLY		SCALE 4:1	DESIGN UNITS METRIC	THIRD ANGLE PROJECTION	
	10 UNDER	±0.2	DRAWN BY DATE S.AKIYAMA 2007/05/31		TITLE 1.75 W/B CONN. DUAL ROW REC. HS'G			
	10 OVER 30 UNDER	±0.25	CHECKED BY DATE N.MATSUURA 2007/05/31		MOLEX INCORPORATED			
	30 OVER	±0.3	APPROVED BY DATE YO.ITO 2007/05/31					
	ANGULAR ±3 °		MATERIAL NO.		DOCUMENT NO.		SHEET NO.	
DRAFT WHERE APPLICABLE MUST REMAIN WITHIN DIMENSIONS		SEE CHART		SD-502056-001		2 OF 2		