

4

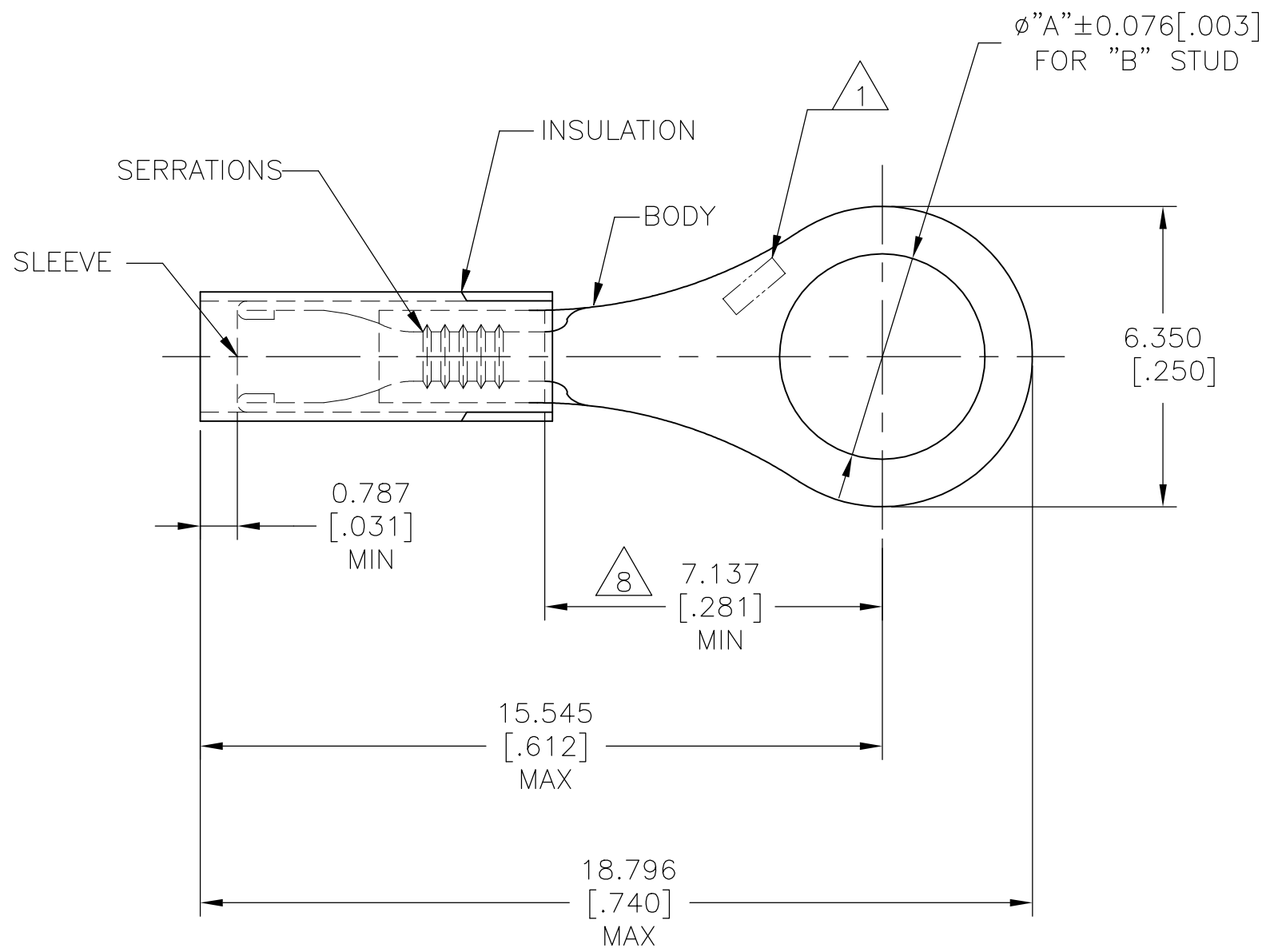
3

2

1

THIS DRAWING IS UNPUBLISHED. RELEASED FOR PUBLICATION
 © COPYRIGHT - By - ALL RIGHTS RESERVED.

REVISIONS				
P	LTR	DESCRIPTION	DATE	DWN APVD
P4		REVISED PER ECO-15-016493	30NOV2015	NK DR
P5		REVISED PER ECO-17-016703	30MAR2018	RS DR



- 1 STAMP AMP, APPROX AS SHOWN
- 2 BODY MATERIAL THK: $0.457 \pm 0.051 [.018 \pm .002]$
- 3 BODY: COPPER ASTM B152 NICKEL PL
SAE AMS QQ-N-290 0.0076 [.0003] AVG EXT. THK
- 4 SLEEVE: COPPER ASTM B152 NICKEL PL
SAE AMS QQ-N-290 0.00076 [.00003] AVG EXT. THK
- 5 INSULATION: PTFE ASTM D3295
COLOR - BLACK
- 6 FOR 0.813 [.032] TO 2.083 [.082] WIRE INSULATION DIA.
- 7 NOTE DELETED
- 8 DIMENSION APPLIES FROM EDGE OF METAL WIRE BARREL TO CENTER OF STUD HOLE

5	1000	3.683 [.145]	M3.5 [#6]	LOOSE PIECE	50830
	QTY	"A"	"B"	PACKAGE TYPE	PART NO

**AMP INCORPORATED
CUSTOMER SERVICE SYSTEMS**

FOR ADDITIONAL PRODUCT INFORMATION OR COPIES OF DRAWINGS AND TECHNICAL DOCUMENTS
 PRODUCT INFORMATION CENTER
 1-800-522-6752

FOR APPLICATION TOOLING INFORMATION
 TOOLING ASSISTANCE CENTER
 1-800-722-1111

FOR ORDER ENTRY
 1-800-526-5142

MAX RECOMMENDED OPERATING TEMPERATURE:
 288°C [550°F]

VOLTAGE RATING:
 300V MAX

CIRCULAR MIL AREA:
 0.12-0.24mm² [238-475]
 STRANDED WIRE ONLY

THIS DRAWING IS A CONTROLLED DOCUMENT.

DIMENSIONS: mm [INCHES]

TOLERANCES UNLESS OTHERWISE SPECIFIED:
 0 PLC ± -
 1 PLC ± -
 2 PLC ± -
 3 PLC ± 0.127 [.005]
 4 PLC ± -
 ANGLES ± 1'

MATERIAL: 3 4 5
 FINISH: 3 4 5

DWN JR RUTH 11AUG03
 CHK T MICHIELUTTI 12AUG03
 APVD T MICHIELUTTI 12AUG03

STE TE Connectivity Ltd.

NAME: TERMINAL, RING TONGUE, PIDG, STRATO-THERM, 26-24 AWG

SIZE: A3 CAGE CODE: 00779 DRAWING NO: C-50830 RESTRICTED TO: -

WEIGHT: -

CUSTOMER DRAWING SCALE: 8:1 SHEET: 1 OF 1 REV: P5