

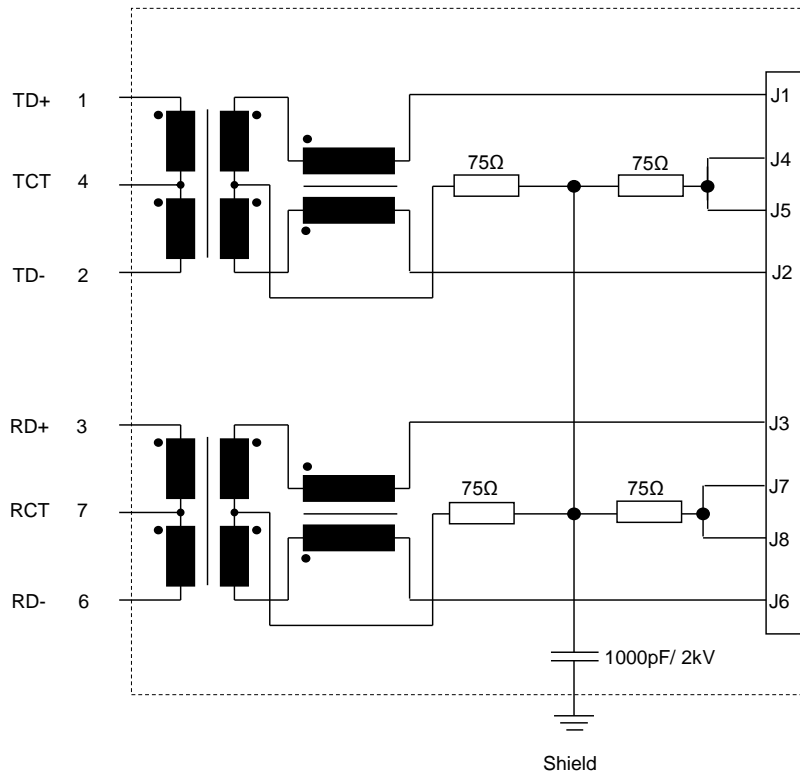
Spezifikation für Freigabe / specification for release

Kunde / customer :
 Artikelnummer / part number : **7499011001A**
 Bezeichnung : **LAN-Übertrager WE-RJ45LAN**
 description : **LAN-Transformer WE-RJ45LAN**



DATUM / DATE : 2017-11-20

H Schaltbild / Schematics :



Freigabe erteilt / general release:	Kunde / customer			
.....			
Datum / date	Unterschrift / signature	LiLa	Rev 03	2017-11-20
	Würth Elektronik	LuRa	Rev 02	2014-02-14
.....	Mle	Rev 01	2011-08-29
Gepüft / checked	Kontrolliert / approved	KSC	Rev 00	2009-07-27
		Name	Änderung / modification	Datum / date

Würth Elektronik eiSos GmbH & Co.KG

D-74638 Waldenburg · Max-Eyth-Straße 1 - 3 · Germany · Telefon (+49) (0) 7942 - 945 - 0 · Telefax (+49) (0) 7942 - 945 - 400
<http://www.we-online.com>

Spezifikation für Freigabe / specification for release

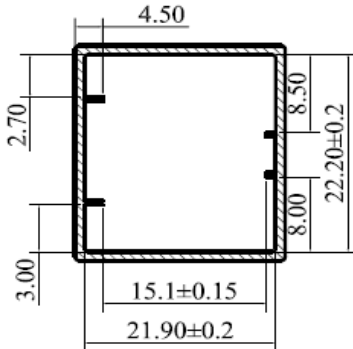
Kunde / customer :
 Artikelnummer / part number : **7499011001A**
 Bezeichnung : **LAN-Übertrager WE-RJ45LAN**
 description : **LAN-Transformer WE-RJ45LAN**



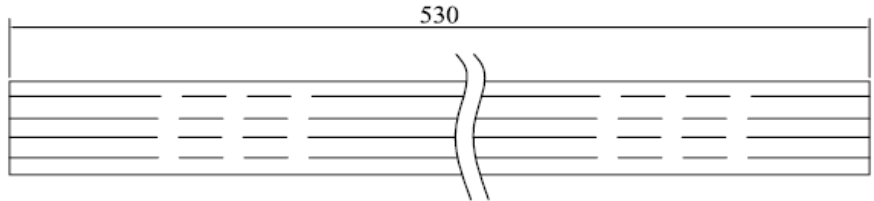
DATUM / DATE : 2017-11-20

I Verpackungsspezifikation / Package specification :

Tube

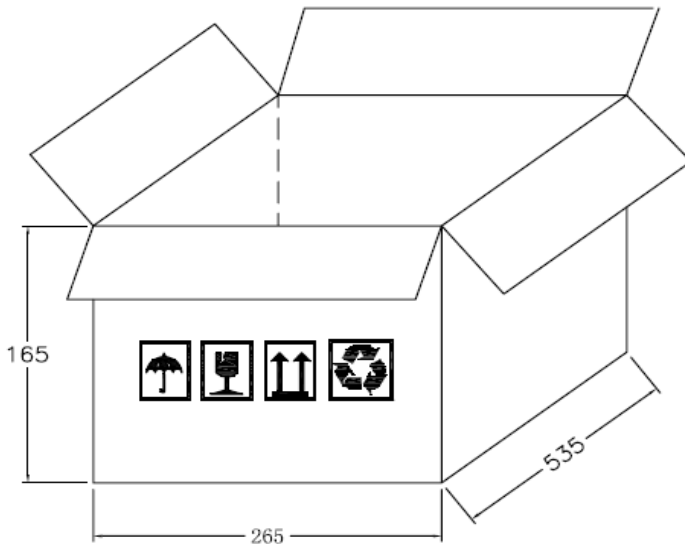


Profile view



Top view

Carton



Package Quantity:

tube= 29pcs
 carton= 1740pcs

dimensions in mm

Freigabe erteilt / general release:	Kunde / customer			
.....			
Datum / date	Unterschrift / signature	LiLa	Rev 03	2017-11-20
.....	Würth Elektronik	LuRa	Rev 02	2014-02-14
.....	Mie	Rev 01	2011-08-29
.....	KSC	Rev 00	2009-07-27
Geprüft / checked	Kontrolliert / approved	Name	Änderung / modification	Datum / date

This electronic component has been designed and developed for usage in general electronic equipment. Before incorporating this component into any equipment where higher safety and reliability is especially required or if there is the possibility of direct damage or injury to human body, for example in the range of aerospace, aviation, nuclear control, submarine, transportation, (automotive control, train control, ship control), transportation signal, disaster prevention, medical, public information network etc, Würth Elektronik eiSos GmbH must be informed before the design-in stage. In addition, sufficient reliability evaluation checks for safety must be performed on every electronic component which is used in electrical circuits that require high safety and reliability functions or performance.

Würth Elektronik eiSos GmbH & Co.KG

D-74638 Waldenburg · Max-Eyth-Straße 1 · 3 · Germany · Telefon (+49) (0) 7942 - 945 - 0 · Telefax (+49) (0) 7942 - 945 - 400
<http://www.we-online.com>