



### Product Compliance

[For compliance documentation, visit the product page on TE.com>](#)

|   |  |
|---|--|
| EU RoHS Directive 2011/65/EU                  | Compliant  |
| EU ELV Directive 2000/53/EC                   | Compliant  |
| China RoHS 2 Directive MIIT Order No 32, 2016 | No Restricted Materials Above Threshold  |
| EU REACH Regulation (EC) No. 1907/2006        | Current ECHA Candidate List: JAN 2023 (233)<br>Candidate List Declared Against: JUNE 2022 (224)<br>Does not contain REACH SVHC |
| Halogen Content                               | Low Halogen - Br, Cl, F, I < 900 ppm per homogenous material. Also BFR/CFR/PVC Free  |
| Solder Process Capability                     | Not applicable for solder process capability   |

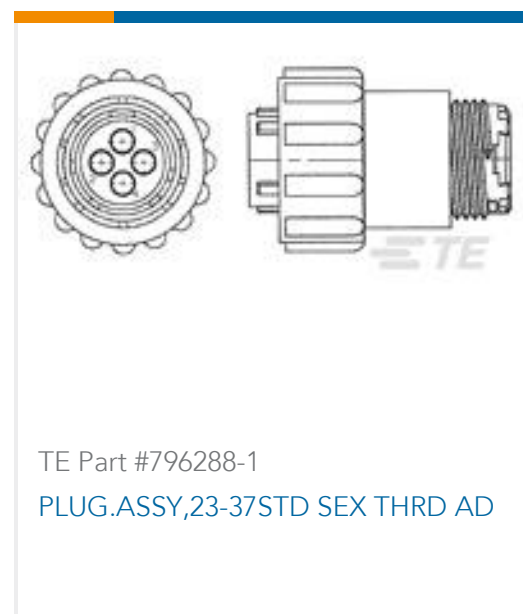
#### Product Compliance Disclaimer

This information is provided based on reasonable inquiry of our suppliers and represents our current actual knowledge based on the information they provided. This information is subject to change. The part numbers that TE has identified as EU RoHS compliant have a maximum concentration of 0.1% by weight in homogenous materials for lead, hexavalent chromium, mercury, PBB, PBDE, DBP, BBP, DEHP, DIBP, and 0.01% for cadmium, or qualify for an exemption to these limits as defined in the Annexes of Directive 2011/65/EU (RoHS2). Finished electrical and electronic equipment products will be CE marked as required by Directive 2011/65/EU. Components may not be CE marked. Additionally, the part numbers that TE has identified as EU ELV compliant have a maximum concentration of 0.1% by weight in homogenous materials for lead, hexavalent chromium, and mercury, and 0.01% for cadmium, or qualify for an exemption to these limits as defined in the Annexes of Directive 2000/53/EC (ELV). Regarding the REACH Regulation, the information TE provides on SVHC in articles for this part number is based on the latest European Chemicals Agency (ECHA) 'Guidance on requirements for substances in articles' posted at this URL: <https://echa.europa.eu/guidance-documents/guidance-on-reach>

### Customers Also Bought



TE Part #HDP26-24-21PE  
PLG, 21P, BLK, E, 12/16, P



TE Part #796288-1  
PLUG.ASSY,23-37STD SEX THRD AD



TE Part #776364-1  
SEALING PLUG, SZ 20 CAVITY



TE Part #DRC12-40PD  
REC, 40P, BLK, N, FLANGE, D



TE Part #776491-2  
SOC, SF, SIZE 16, 14-18 AWG, NO INS,  
NI/SN



TE Part #1473244-3  
MQS/JPT 81POS PLUG ASSY



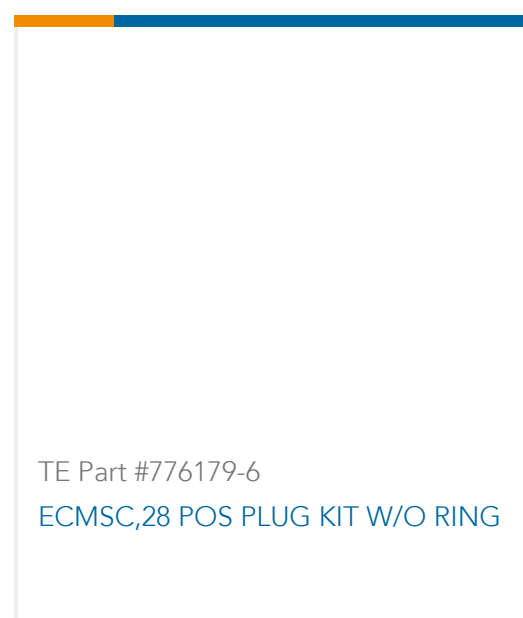
TE Part #1-1904027-1  
V23234A1004X050-EV-100



TE Part #HDC16-9-L47N  
DUST CAP, 9P, REC, GRY, LANYARD,  
HD10



TE Part #776501-1  
WIRE DRESS COVER, TALL, 68 POS



TE Part #776179-6  
ECMSC, 28 POS PLUG KIT W/O RING

## Documents

### Product Drawings

#### 68 POSITION PLUG ASSEMBLY

English

#### 68 POSITION PLUG ASSEMBLY

English

### CAD Files

#### Customer View Model

[ENG\\_CVM\\_CVM\\_776315-1\\_B.2d\\_dxf.zip](#)

English

#### 3D PDF

3D

#### Customer View Model

[ENG\\_CVM\\_CVM\\_776315-1\\_B.3d\\_igs.zip](#)

English

#### Customer View Model

[ENG\\_CVM\\_CVM\\_776315-1\\_B.3d\\_stp.zip](#)

English

By downloading the CAD file I accept and agree to the [Terms and Conditions](#) of use.



---

[Product Specifications](#)

[Application Specification](#)

English