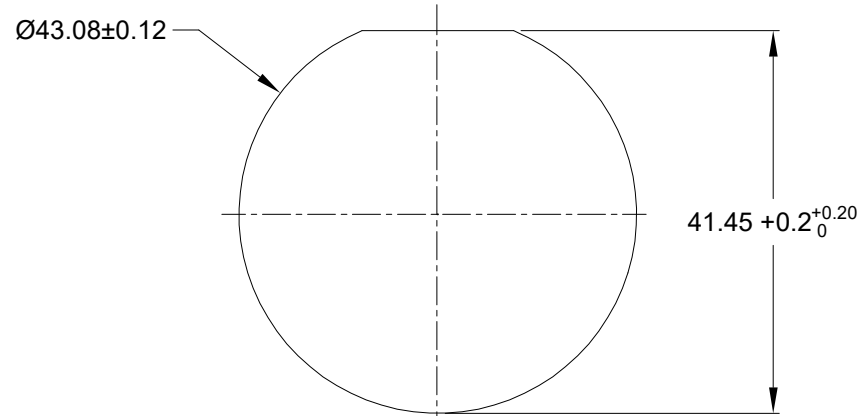
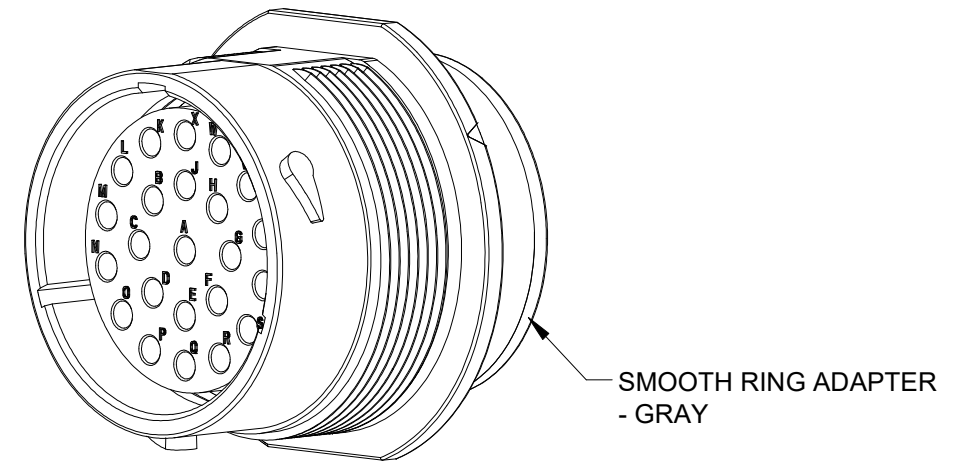
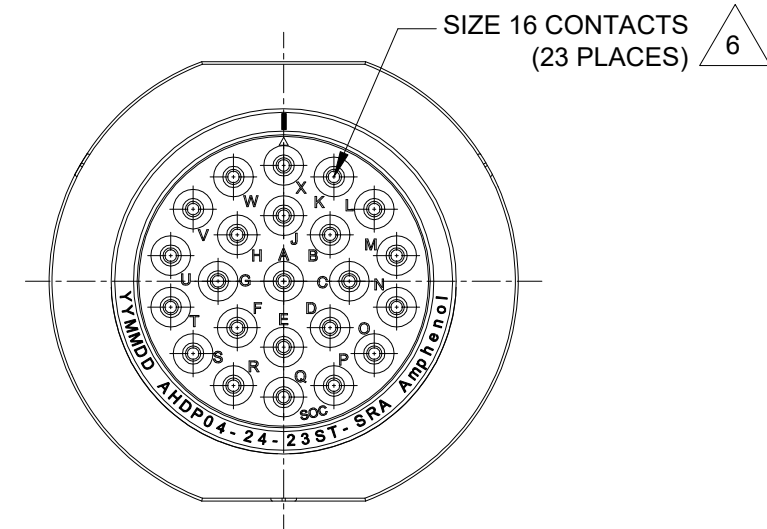
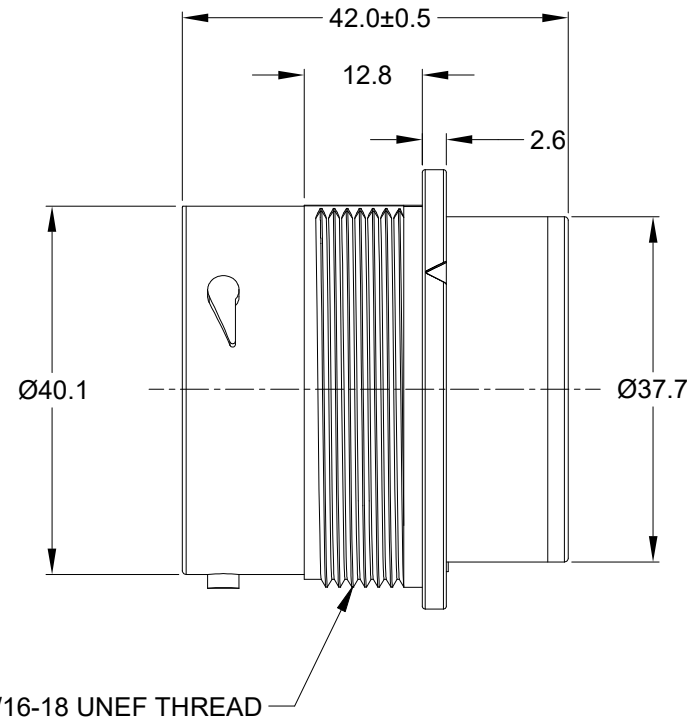
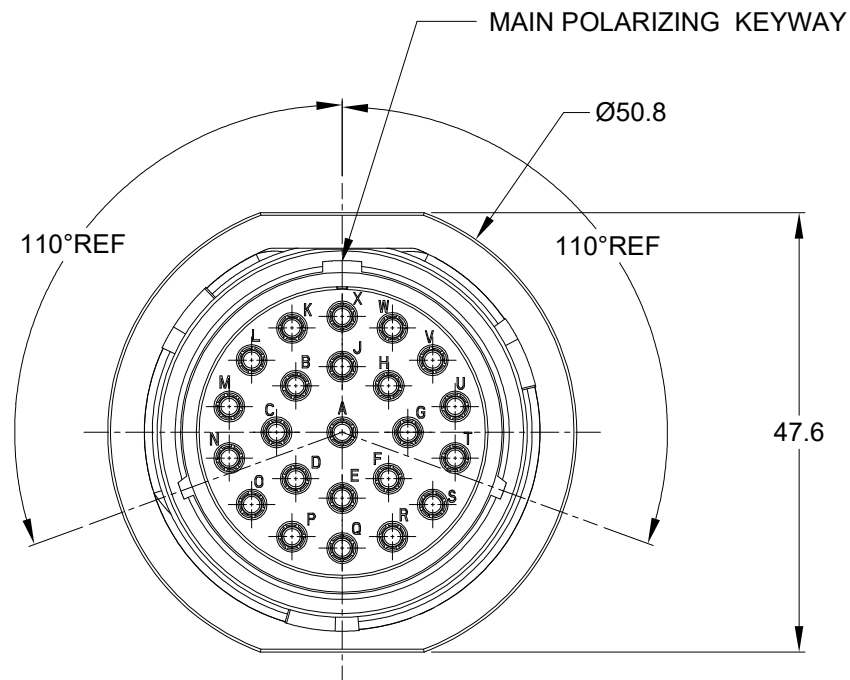


REVISIONS					
REV	ECO	DESCRIPTION	DATE	BY	APPR
A1	--	RELEASE NEW DRAWING	16/NOV/22	MILO	TOMMY



RECOMMENDED PANEL MOUNTING HOLE  
RECOMMENDED PANEL THICKNESS: 1.6 TO 4.7MM

NOTES: UNLESS OTHERWISE SPECIFIED

- MATERIAL:  
HOUSING: THERMOPLASTIC; BLACK  
SEAL: SILICONE RUBBER
- MODIFICATIONS: SMOOTH RING ADAPTER(SRA);  
THIN WALL DIA. WIRE SEAL
- SPECIFICATIONS:  
3.1 OPERATING TEMPERATURE: -55°C TO +125°C.  
3.2 DIELECTRIC WITHSTANDING VOLTAGE: LESS THAN 2 MILLIAMPS CURRENT LEAKAGE @ 1500 VOLTS AC.  
3.3 INSULATION RESISTANCE: 1000 MEGOHM MIN @ 25°C.  
3.4 MOISTURE RESISTANCE:  
IP68(IM OF WATER FOR A PERIOD OF 24 HOURS, MATED CONDITION);  
IP69K(MATED CONDITION)  
3.5 MATING CYCLE DURABILITY: 100 CYCLES  
3.6 RoHS COMPLIANT
- MATING PART: AHDP06-24-23P\* (\* = SEAL TYPE)
- ALL DIMENSIONS ARE FOR REFERENCE USE ONLY.

6 CONTACT SIZE AND WIRE RANGE:

CONTACT SIZE	MIN.INSUL O.D	MAX.INSUL O.D	WIRE RANGE mm <sup>2</sup>
16	2.23mm (.088in)	2.69mm (.106in)	14-20AWG (2.0-0.5mm <sup>2</sup> )

7. RECEPTACLE IS SUPPLIED WITH DUST CAP (NOT SHOWN).

TITLE: 23POS.RECEPTACLE,SOCKET,24SZ,THIN WIRE SEAL,SRA,AHDP

DWG NO: AHDP04-24-23ST-SRA

REV: A1

SH: 1

OF: 1

QUANTITY	PART NUMBER	DESCRIPTION	ITEM
	AHDP04-24-23ST-SRA	REF: HDP24-24-23ST	
<b>MATERIALS LIST</b>			
UNLESS OTHERWISE SPECIFIED 1) All dimensions are in metric(mm). 2) Tolerances are as follows: 1 PL DEC ±0.30 2 PL DEC ±0.15 3 PL DEC ±0.08 3) Note reference = X		SIGNATURES DRAWN: MILO.DONG CHECKED: SULLENZHANG ENGINEER: APPROVAL: TOMMY.XIE DATE 18/NOV/22 17/NOV/22 18/NOV/22	DATE
MATERIAL SPECIFICATIONS: WEIGHT: 54.6g		<p style="text-align: center;"><b>Amphenol</b></p> <p style="text-align: center;">Sine Systems - www.amphenol-sine.com 44724 Morley Drive Clinton Township, MI 48036</p>	
PROCESS SPECIFICATIONS:		<p style="text-align: center;">23POS,RECEPTACLE,SOCKET,24SZ, THIN WIRE SEAL,SRA,AHDP</p>	
NEXT ASSY:		SIZE <b>B C-</b>	REVISION <b>A1</b>
		SCALE: NONE	DURAMATE SHEET 1 OF 1