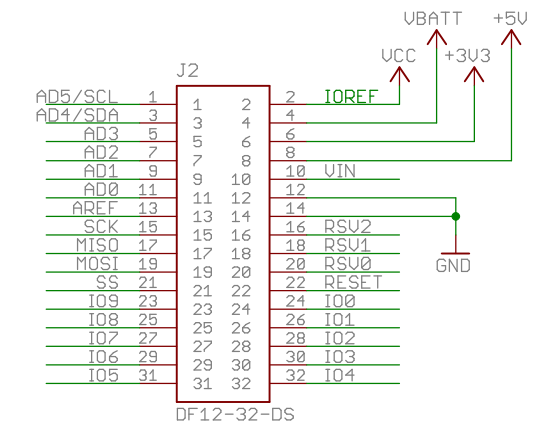
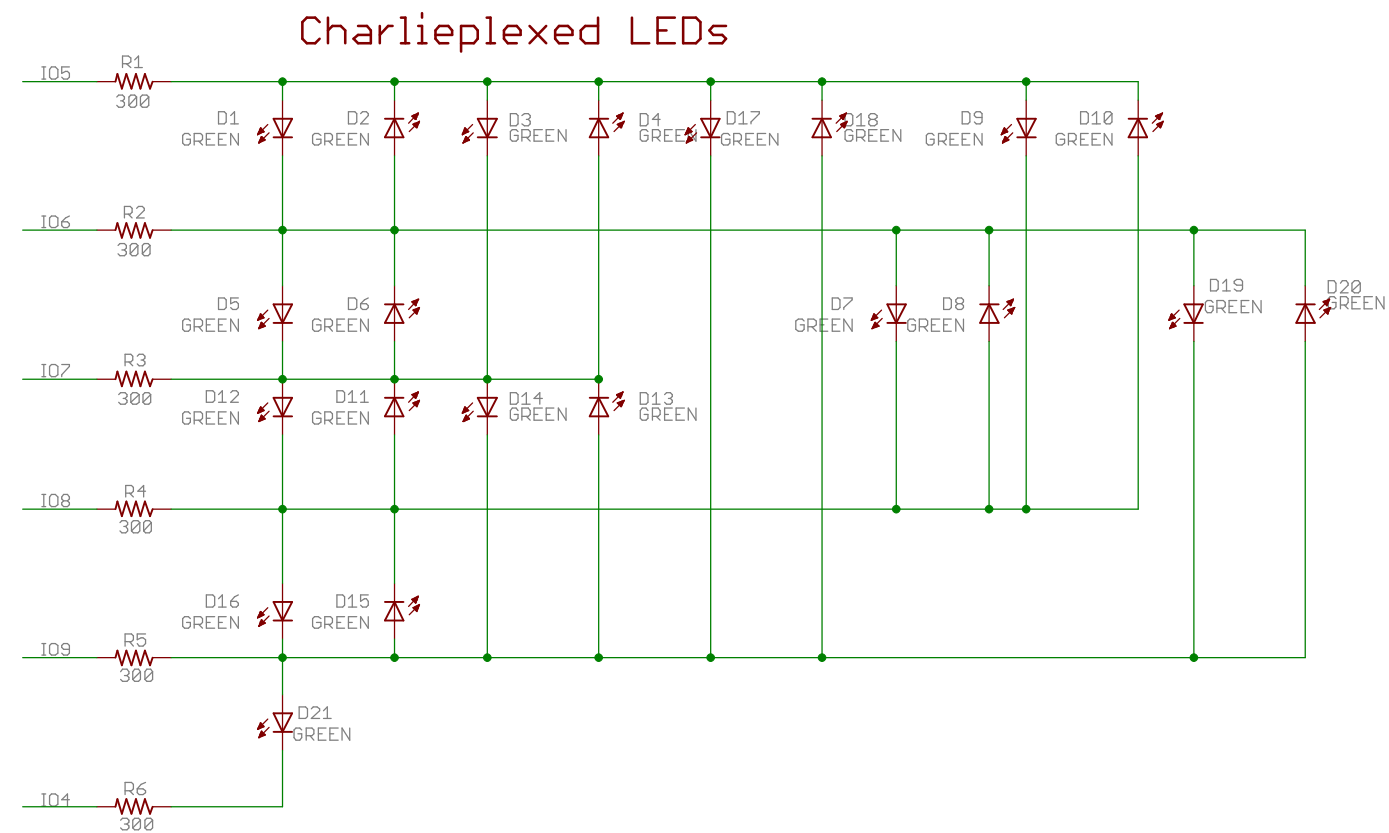


TinyShield Expansion - Bottom



Released under the Creative Commons Attribution Share-Alike 3.0 License
<http://creativecommons.org/licenses/by-sa/3.0>

Original Arduino Uno Design by Team Arduino
 LilyPad Arduino Design by Leah Buechley and Sparkfun Electronics
 TinyDuino, TinyLily and TinyShield Designs by TinyCircuits

 http://www.TinyCircuits.com	
TITLE: TinyShield - Circle LEDs	
Document Number: AS-SCH-ASD2412	REV: 1
Date: 2/21/2016 5:51:16 PM	Sheet: 1/1