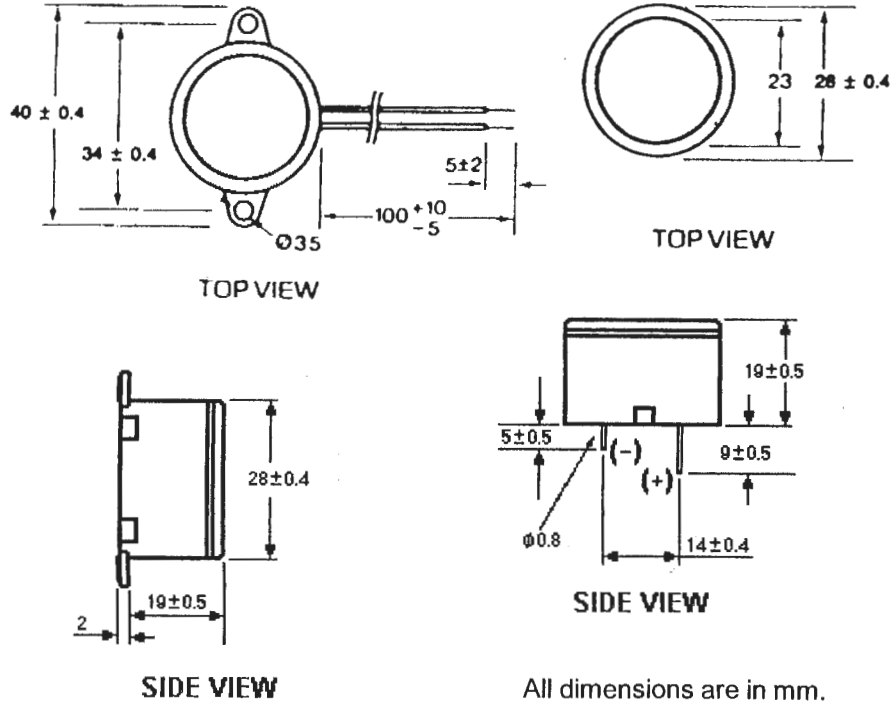


# ELECTRO-ACOUSTIC TRANSDUCER SPECIFICATIONS:

## BRT2821 Series

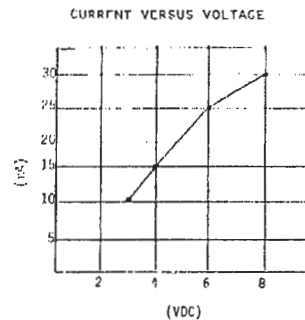
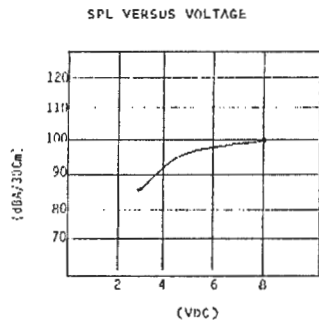


All dimensions are in mm.

Model No.	Operating Voltage (V)	Rated Voltage (V)	Rated Current (mA)	Resonant Frequency (KHz)	Sound Output @30cm (dB)
BRT2821-03	2 ~ 5	3	35	2.8 ± 0.2	85
BRT2821-06	4 ~ 9	6	35	2.8 ± 0.2	90
BRT2821-09	6 ~ 11	9	40	2.8 ± 0.2	90
BRT2821-12	9 ~ 15	12	40	2.8 ± 0.2	95
BRT2821-24	15 ~ 28	24	25	2.8 ± 0.2	95
BRT2821-12S	4 ~ 15	12	15	2.8 ± 0.2	90

THE ABOVE IS SINGLE TONE AND IS AVAILABLE IN LEAD OR PIN TYPE.

- SERIES BRT2821L (WIRE TYPE)
- SERIES BRT2821P (PIN TYPE)



\*\*NOTE-FREQUENCY IS 2.8KHZ +/- .2KHZ FROM 3 TO 8 VDC

INTERVOX  
**International** ©  
 International Components Corporation  
 215 McCormick Drive, Bohemia, NY 11716 631-952-9595 Fax: 631-952-9597 Web: www.lcc107.com

**Title:** Electro Acoustic Transducer

AF	Intervox Model # <b>BRT2821 Series</b>	Rev <b>A</b>
<b>Scale:</b>	<b>Date:</b> 04/28/2011	<b>Sheet</b> 1 of 1