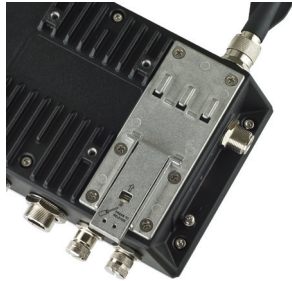


DK-DC50131

Din-rail mounting kit



Specifications

Physical Characteristics

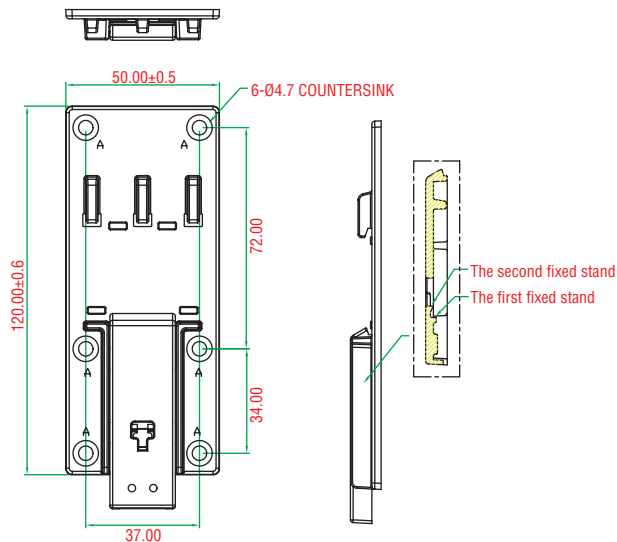
Material: Aluminum Alloy ADC12
Color: Silver

Warranty

Warranty Period: 1 year
Details: See www.moxa.com/warranty

Dimensions

Unit: mm (inch)



Ordering Information

Available Models

DK-DC50131: Din-rail mounting kit, 50 x 131 mm

Can be used with the following products

AWK-3121 Series, AWK-5222 Series, AWK-3131 Series, AWK-4121 Series, AWK-4131-M12, AWK-5232 Series, AWK-6222 Series, AWK-6232-M12

Package Checklist

- 1pcs DK-DC50131
- 6pcs screws