



# PRELIMINARY SPECIFICATION

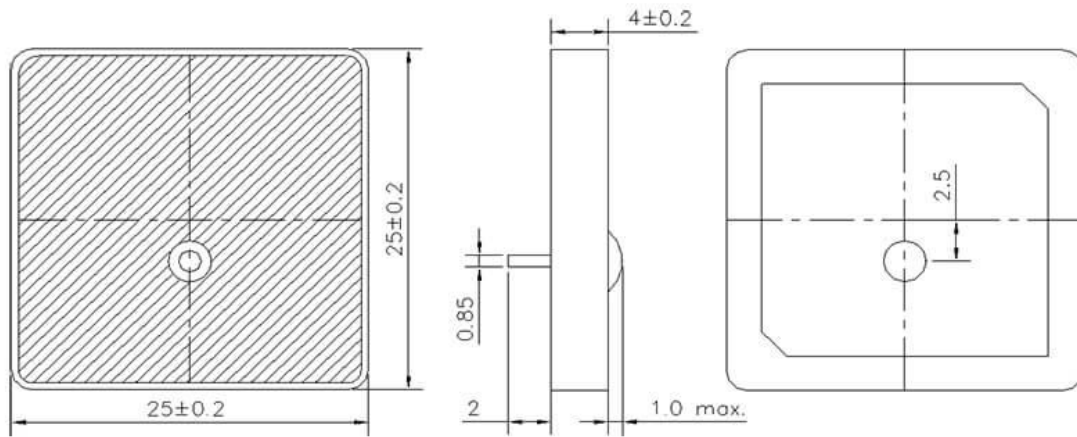


	PART NUMBER	JTT1596S25P4A	
Customer	JINCHANG	WRITTEN BY	STON
ISSUED DATE	2012/3/6	APPROVAL BY	

## 1.0 ELECTRICAL SPECIFICATION

ITEMS	SPEC	UNIT
1.1 Frequency Range	1596.0 ± 3.0	MHz
1.2 Return Loss at Fo	15	dB min.
1.3 VSWR (at Center Frequency)		max.
1.4 Bandwidth in 10dB	13.0	max.
1.5 Polarization	RHCP	
1.6 Gain at Zenith	5DBI	typ.
1.7 Gain at 10° elevation		typ.
1.8 Frequency Temperature Coefficient	0±20	ppm/ °C
1.9 Axial Ratio [at fo]	5.0	dB max.
1.10 Ground plane		mm
1.11 In/Out Impedance	50 Ω	
1.12 Operation Temperature Range	-40°C to +85°C	

## 2.0 MECHANICAL SPECIFICATION



[BOTTOM]

[SIDE]

[TOP]

Tolerance Unless  
Otherwise  
Specified:  $\pm 0.10$   
Unit: mm

### 3.0 SIMUATION DATA

