



Midas Touch

magic embedded

We are dedicated in image processing technology and customize the image quality to meet the real needs of customers.

There are many brand products with our advanced image technology in the market.

MCY-3228 Datasheet HDR Camera Module

Midas Touch, Inc.

Tel : +886-2-7729-4139

Fax : +886-2-7729-4149

Email: contact@midastouchinc.com

<https://www.midastouchinc.com>



Revision History

Date	Rev.	Contents
2020/01/07	V1.0	First release



Table of Contents

1. Features	3
2. Key Specification.....	4
3. Pin Description	5
4. Outline Specification	6



1. Features

- 1/2.7" 2M RGB Camera Module
- Max frame rate up to 30fps
- Compliant USB 2.0 and USB Video Class
- Support still image capture and video streaming
- Automatic image control
 - A. Automatic Exposure Control (AEC)
 - B. Automatic White Balance (AWB)
 - C. Automatic Gain Control (AGC)
- Input Voltage: 5V
- Operate Temperature Range : -30°C~+70°C



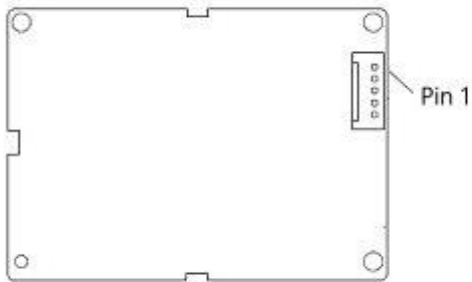
2. Key Specifications

	RGB Camera
Interface	USB2.0
Compatibility	USB Video Class
Image Sensor	1/2.7" CMOS sensor
CMOS sensor Active Pixels	1920(H) x 1080(V)
Pixel Size	3.0 x 3.0 μm
Shutter Type	Electronic rolling shutter
Image/Video Format	YUY2, MJPG
Output Interface	USB2.0
Operating Temperature	-30°C to +70°C
FOV	D: 95.8° H: 87.8° V: 57.2°
Lens Construction	1G+4P+ IR
IR Filter	$T_{\text{avg}} \geq 90\%$ 440~635nm
Max Frame Rate	30 fps @1080P, MJPG
Operate Temperature	-30°C~+70°C
Stable Image Temperature	0°C~+60°C



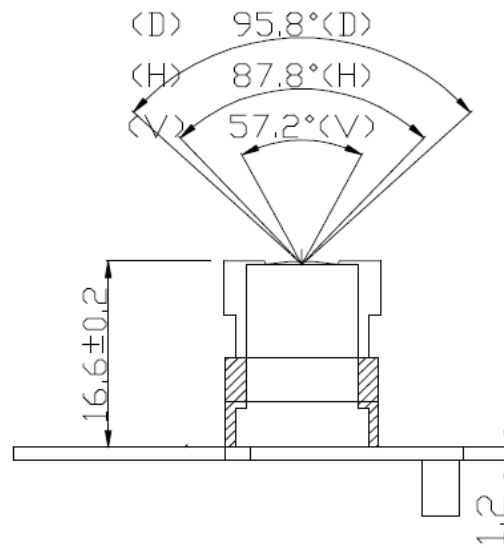
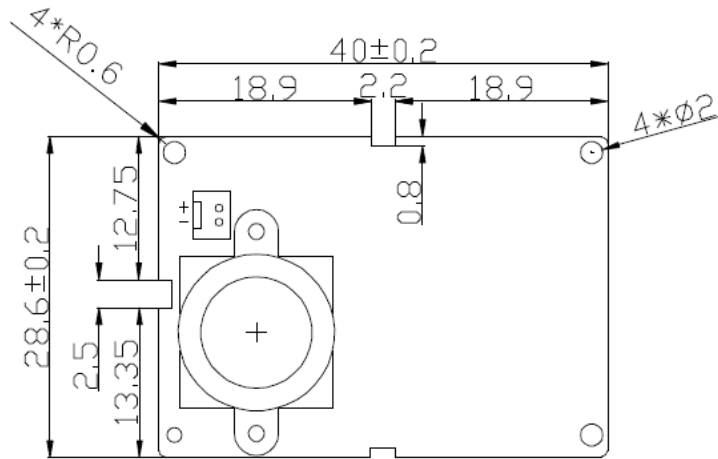
3. Pin Description

Pin Description			
Pin Number	Name	Pin Type	Function Description
1	VCC	Power	USB Power Supply 5.0V
2	D-	Data Pin	USB Data Transmission
3	D+	Data Pin	USB Data Transmission
4	GND	GND	System Ground
5	GND	GND	System Ground





4. Outline Specifications



Pin No	Definition
PIN1	Vcc 5V
PIN2	USB D-
PIN3	USB D+
PIN4	GND
PIN5	GND

