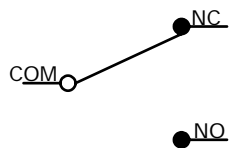


P.C. MOUNTING

O.P. (MM)	P.T. (MM)
9.1 ±0.8	3.6 MAX

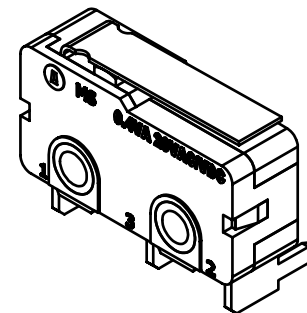
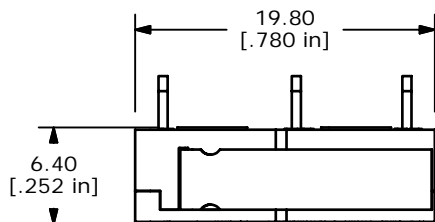
O.P. = OPERATING POINT
 P.T. = PRE-TRAVEL



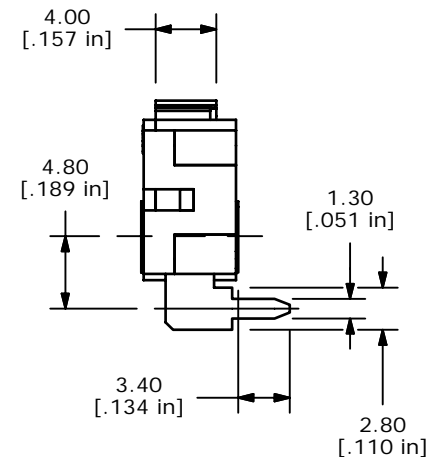
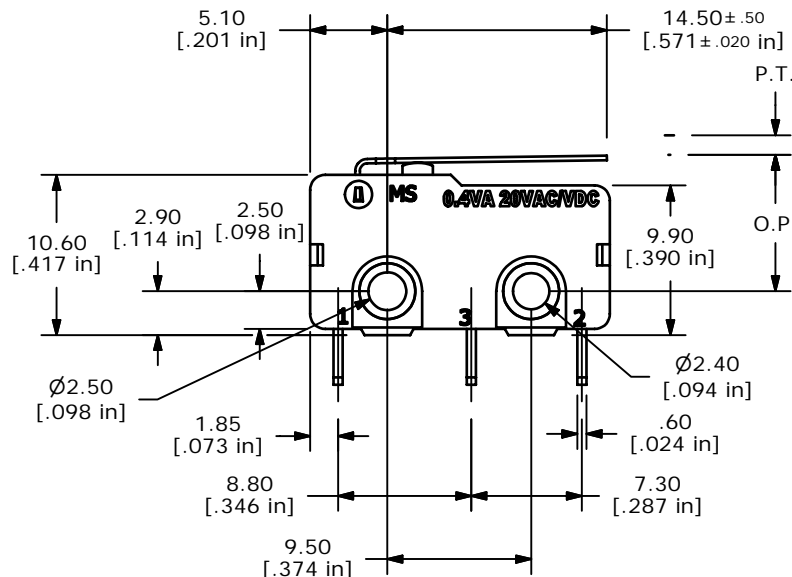
CIRCUIT: SPDT

NOTES:

- ALL DIMENSIONS IN MM [INCH]
- GENERAL TOLERANCE: X.X=±0.4
X.XX=±0.25
- RATING: 0.4VA @20VAC OR DC
- ▲ OPERATING FORCE: 35±20 GRAMS
- OPERATING TEMP: -25°C TO 85°C
- ELECTRICAL LIFE: 50,000 CYCLES MIN.
- MECHANICAL LIFE: 1,000,000 CYCLES TYP.
- INSULATION RESISTANCE: 100 MEGA-OHMS
- DIELECTRIC STRENGTH: 1000VAC 1 MINUTE (INITIAL VALUE)
- CONTACT RESISTANCE: 100 MILLI-OHMS MAX.
- ▲ CONTACTS: 10 MICRO INCHES MINIMUM GOLD PLATING (PN: Q990001)
- ▲ DENOTES CRITICAL PARAMETER.
- 2002/95/EC (ROHS) COMPLIANT



ISOMETRIC



B	17172	FIXED SWITCH ENGRAVING	4/9/07	TN
A	17140	RELEASED FOR PRODUCTION	3/29/07	TN
REV	PCR NO	DESCRIPTION	DATE	BY

TITLE MS085R101F035V1A

SCALE	DATE	DR	DWG	REV
2:1	4/9/2007	TN	Q970075	B

THE INFORMATION CONTAINED IN THIS DOCUMENT IS PROPRIETARY TO E-SWITCH AND IS NOT TO BE COPIED OR TRANSFERRED