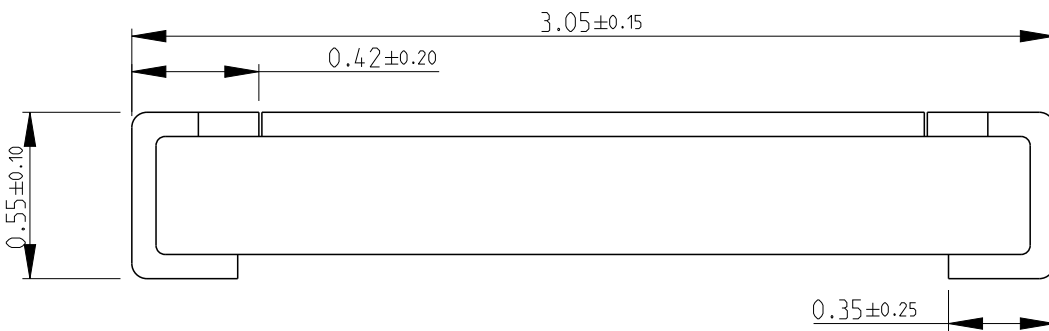


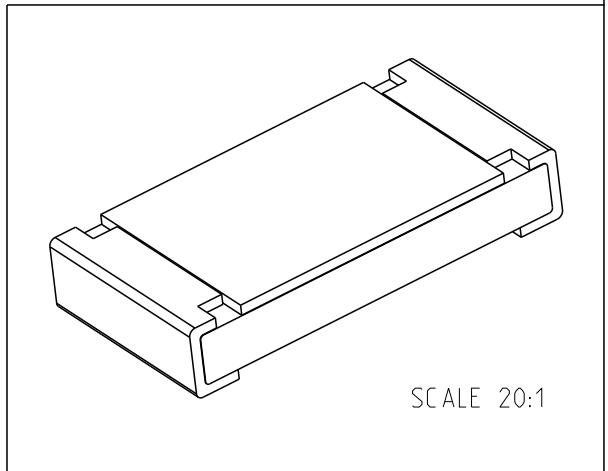
REVISIONS					
P	LTR	DESCRIPTION	DATE	DWN	APVD
	A	NEW DRAWING	21MAY2018	GCM	AP
	B	ECR-20-007406	28MAY2020	SR	AP



NOTES:

- FOR FURTHER INFORMATION SEE DATA SHEET FOR RQ73 SERIES AEC-Q200 THIN FILM PRECISION RESISTORS.

RoHS Compliant

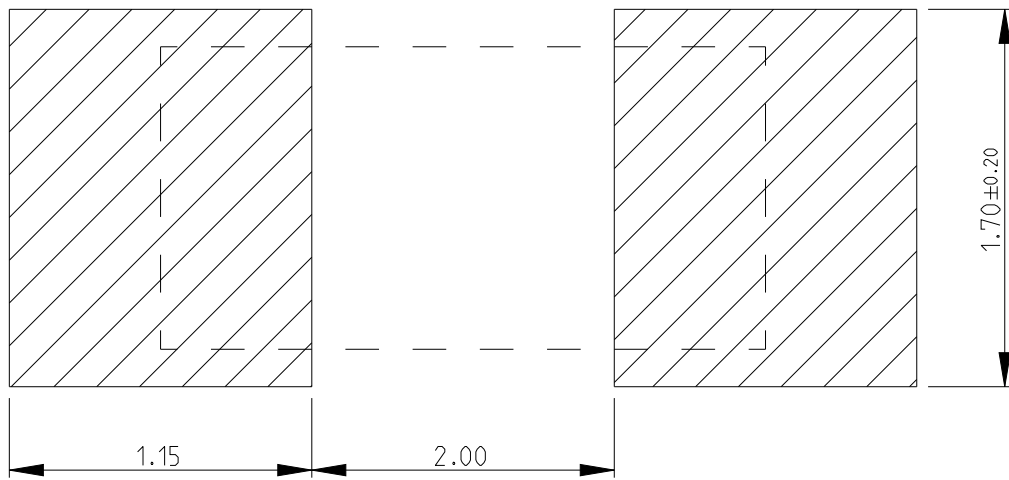


SCALE 20:1

© 2020 TE Connectivity. All Rights Reserved.


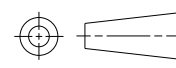
DIMENSIONS:		DWN	21MAY2018	MATERIAL	FINISH	
mm		GANESH C M		-	-	
TOLERANCES UNLESS OTHERWISE SPECIFIED:		CHK	21MAY2018			
0 PLC ±0.5		ALLAN.P				
1 PLC ±0.2		APVD	21MAY2018	NAME SMD Thin Film Precision Resistors - AEC-Q200 Compliant - Type RQ73 1206 Series		
2 PLC ±0.1		ALLAN.P				
3 PLC ±		PRODUCT SPEC	-	SIZE	CAGE CODE	DRAWING NO
4 PLC ±		APPLICATION SPEC	-	A 4	00779	C=2176387
ANGLES 5°		WEIGHT	-	RESTRICTED TO		
		CUSTOMER DRAWING		SCALE	SHEET	REV
				40:1	1 OF 2	B

REVISIONS					
P	LTR	DESCRIPTION	DATE	DWN	APVD
-		SEE SHEET 1	-	-	-



RECOMMENDED LAND PATTERN

© 2020 TE Connectivity. All Rights Reserved.

DIMENSIONS: mm		DWN GANESH C M	21MAY2018	MATERIAL	-	FINISH	-
TOLERANCES UNLESS OTHERWISE SPECIFIED:		CHK ALLAN.P	21MAY2018	 TE Connectivity			
		APVD ALLAN.P	21MAY2018				
0 PLC ±0.5		PRODUCT SPEC		NAME SMD Thin Film Precision Resistors - AEC-Q200			
1 PLC ±0.2		-		Compliant - Type RQ73 1206 Series			
2 PLC ±0.1		APPLICATION SPEC		SIZE	CAGE CODE	DRAWING NO	RESTRICTED TO
3 PLC ±		-		A 4	00779	C=2176387	
4 PLC ±		WEIGHT					
ANGLES 45°		-					
		CUSTOMER DRAWING		SCALE	NTS	SHEET	2 OF 2
						REV	B