

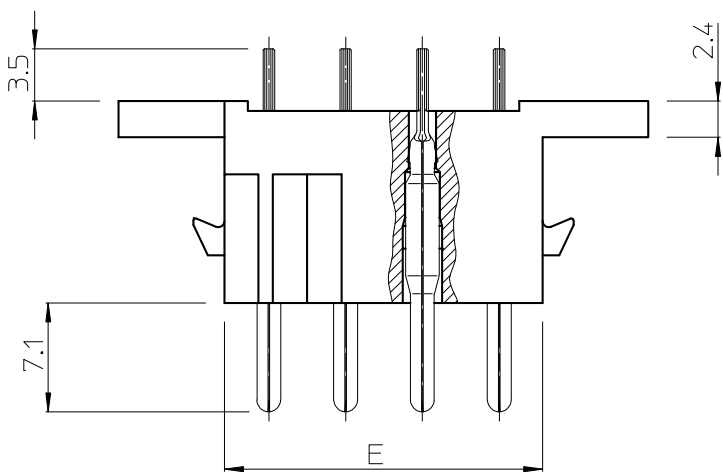
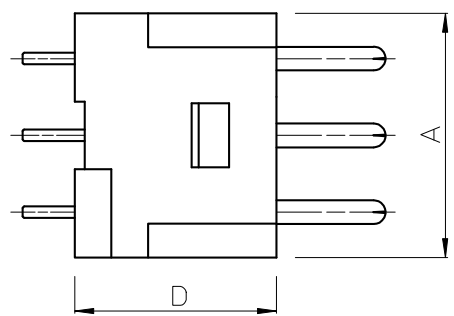
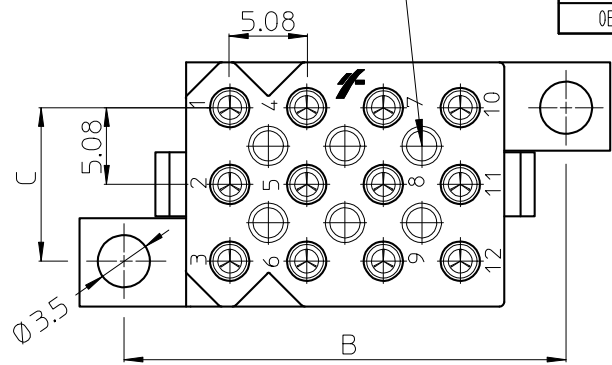
DIT IS ONZE EIGENDOM EN MAG NIET NAGEMAAKT. HERDRUKT, OVERGEMAAKT AAN DERDEN, NOCH VOOR FABRIKATIE GEBRUIKT WORDEN, ZONDER ONZE SCHRIFTELIJKE TOELATING. BIJ NIET GEBRUIK IS DE TERUGZENDE VERPLICHT.

THIS IS OUR EXCLUSIVE PROPERTY. IT IS NOT TO BE COPIED, REPRINTED OR DISCLOSED TO A THIRD PARTY, NOR USED FOR MANUFACTURING WITHOUT OUR WRITTEN CONSENT, AND HAS TO BE RETURNED TO US IN CASE OF NO USAGE

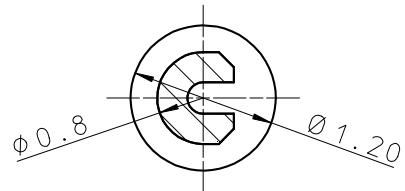
BS, A , 201927, 005, 0E

REV.	DATE	DESCRIPTION	BY	C 'K' D'
0B	11.01.96	SIZES 2 AND 36 DELETED	SVD	
0C	29.08.97	B-SYMBOL DELETED	K.N.	
0D	12.09.97	BEC 9.3390	S.V.D.	
0E	24.10.07	PLATING MODIFICATION IN ACCORDING TO 1063603	M.R.	BS 499

DISCRIMINATION CAVITY
SEE TABLE



TERMINATION IN P.C. BOARD HOLE
SCALE 10:1



CAT. NR.	A	B	C	D	E	
SMS3SE4**	16.0	14.0	10.2	13.2	5.9	0
SMS4SE4**	21.1	14.0	15.2	13.2	5.9	0
SMS6SE4**	16.0	19.2	10.2	13.2	10.9	2
SMS12SE4**	16.0	29.2	10.2	13.2	21.1	6
SMS24SE4**	21.2	39.4	15.2	13.2	31.2	15


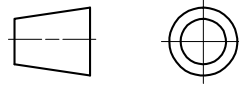
PERFORMANCE CHARACTERISTICS :
 OPERATING TEMPERATURE : -55°C TO 125°C
 INSULATING RESISTANCE : 5000 MΩ MIN.
 TEST POTENTIAL : 2000 VAC
 CURRENT RATING : 5 AMP
 CONTACT RESISTANCE : 6 mΩ MAX.

NUMBER OF DISCRIMINATION CAVITIES

MATERIAL :
 HOUSING : GLASS REINFORCED POLYESTER UL94-V0, BLACK
 CONTACTS : STAMPED AND FORMED HIGH CONDUCTIVE Cu-ALLOY
 PLATING (**): K9 : GOLD IN CONTACT AREA 0.4 6 MIN.,
 Sn ON TERMINATION
 T : Sn ALL OVER.

NOTES :
 CONNECTOR SUPPLIED FULLY LOADED.
 MATING PARTS : SMS--P1 (WITHOUT CABLE HOOD)
 SMS--PDH1 (WITH INTEGRATED CABLE HOOD)
 DRILLING HOLE PATTERN : SEE DRAWING BS,C ,201713,000
 FOR SIZES 2 AND 36 SEE BS,A ,201927,017
 DISCRIMINATION IS GUARANTEED WITHOUT LOSS OF CONTACT POSITION WHEN USING SMSPK3
 DISCRIMINATION PINS. FOR TECHNICAL INFORMATION ABOUT SMSPK3 : SEE BS,C ,202424,003.

GEN. ST.	01	02	03	04	05	06	07	08	0D	50	60	70	80	90																	
INT. ST.	10	11	12	13	14	18	20	31	32	33	34	38	39	40	42	43	44	45	46	48	56	70	72	73	75	76	81	82	83	84	88

1DEC ±0,2 1DEC 2DEC ±0,1 2DEC ANGLES ±1° HOEKEN	APPR.	DATE	SIGN.	STAMPED MALE QIKMATE STRAIGHT RECEPTACLE
	DRAFT	19-12-95	S.Van Dessel	
WE RESERVE THE RIGHT TO CHANGE DIMENSIONS OR REQUIREMENTS WITHOUT PRIOR NOTICE.	CHECKED			CAT. No. SMS--SE4-  SOURIAU Route Nationale 23 72470 CHAMPAGNE
	PROD. MGR.			
	PR. ENG. MGR.			
ALL DIMENSIONS IN MM	PR. MGT. MGR.			SCALE 2:1
 ALLE AFMETINGEN IN MM	REFERENCES / REFERENTIES			BS, A , 201927, 005, 0E DRAWING NR. CUSTOMER DRAWING

NOT EXPORT CONTROLLED