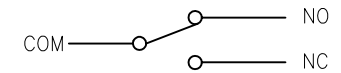
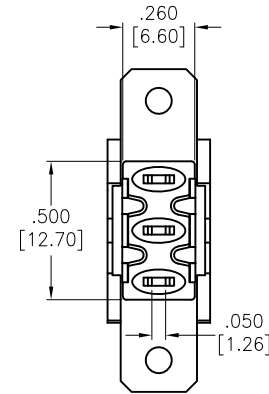
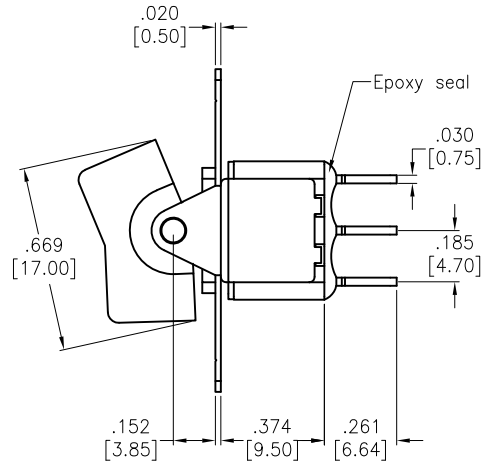
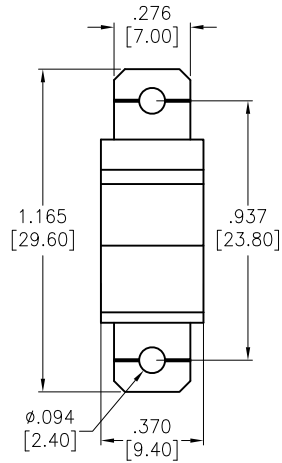


APPROVED: _____
 DATE: _____ TITLE: _____

Rev	AWO #	Description	Date	Appr
-		RELEASED	12/15/20	
A		UPDATE TITLE	6/25/21	WX/RC



CIRCUIT DIAGRAM
(SPDT) ON-ON

SWITCH MARKINGS



SPECIFICATIONS:

Material:
 Movable contact: Copper Alloy, Silver plated
 Terminals: Copper Alloy, Silver plated
 Cap Actuator: Plastic, color Black
 Electrical:
 Rating: 5 Amps with resistive load @ 125VAC or 28VDC
 2 Amps with resistive load @ 250VAC
 Contact resistance: 10 mohms max initial
 Insulation resistance: 1,000 Mohms min
 Dielectric withstanding voltage: 1500V RMS @ sea level
 Electrical life: 50,000 make and break cycles at full load
 Temperature Rating:
 Operating temperature: -30°C to +85°C
 Environmental:
 Lead free, RoHS compliant



UNLESS OTHERWISE SPECIFIED ALL DIMENSIONS ARE INCHES [MM] TOLERANCES: EXCEPT AS NOTED		 909 Rahway Avenue, Union, NJ 07083 Phone: 908-687-5000 Fax: 908-687-5710	
INCHES HOLES			
.X ± .10	Ø.X ± .10	TITLE MINIATURE ROCKER SWITCH, SPDT, ON-ON, PCB TYPE	
.XX ± .020	Ø.XX ± .015		
.XXX ± .015	Ø.XXX ± .010		
APPROVALS		DATE	
DRAWN	OW	12/15/20	
CHECKED	AC	12/15/20	
APPROVED			
SIZE	PART NO.	REV.	
X	SW-R2-2B-B-5-10	A	
REF:	S00198T	SCALE:	NTS
		SHEET 1 OF 1	