

NEWNEX PROPRIETARY

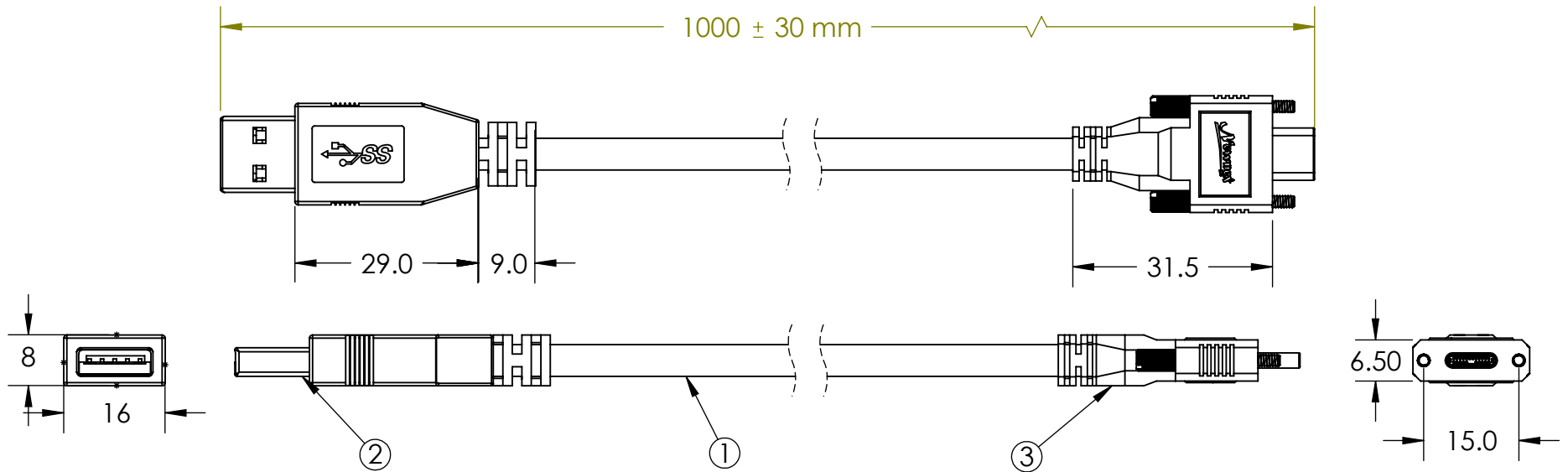
THIS DOCUMENT AND THE DATA DISCLOSED HEREIN OR WITHIN IS NOT TO BE REPRODUCED, USED, OR DISCLOSED IN WHOLE OR PART TO ANYONE WITHOUT THE WRITTEN PERMISSION OF NEWNEX

COMPANY NAME

CUSTOMER SIGNATURE

DATE

COMMENTS:



| Wiring Structure | | | |
|------------------|-------------|---------|----------------|
| USB 3.0 A Plug | Wire | | USB Typ-C Plug |
| | SIGNAL | COLOR | |
| 1 | Vcc | Red | A4,B4,A9,B9 |
| | CC | | A5 |
| 2 | UTP-Dn | White | A7 |
| 3 | UTP-Dp | Green | A6 |
| 4+7 | GND | Black+D | A1,B1,A12,B12 |
| 5 | SDPn1 | Blue | A3 |
| 6 | SDPp1 | Yellow | A2 |
| 8 | SDPn2 | Purple | B10 |
| 9 | SDPp2 | Orange | B11 |
| SHELL | Outer Braid | | SHELL |

□ Rp=56K

Notes:

1. Cable: USB 3.0 Black PVC Jacket
2. Connector: USB 3.0 A Male
3. Connector: USB 3.0 Type-C Male Dual Screw Locking
4. Packaging: 1 Piece + PE bag.

| | | | |
|--|---------------------|-----------------|--|
| Newnex Technology Corp. | | | |
| UNLESS OTHERWISE SPECIFIED DIMENSIONS ARE IN MILLIMETERS TOLERANCES ARE: | | PROJ: | TITLE: USB 3.1 Gen 1 A Male to C Male with dual screw locking, 1M, Black |
| FRACTIONS: NA | DECIMALS: XX ± 0.25 | SCALE: 1:1 | REV: A |
| | ANGLES: XXX ± 0.125 | DATE: 1/11/2016 | DRAWN BY: XW |
| PART NUMBER: U3S1A01C12-010 | | CHECKED BY: | APPROVED BY: ZL |
| REVISION COMMENTS: Drawing generated | | | SHEET 1 OF 1 |