

NOTES:
 1.MATERIAL:
 PLASTIC HOUSING: POLYAMIDE, GLASS FIBER FILLED,UL94V-0,COLOR:BLACK
 SHIELD: BRASS
 BACK SHIELD: BRASS
 CONTACTS: PHOSPHOR BRONZE
 LED: DIFFUSED EPOXY LENS,CARBON STEEL LEAD FRAME
 2.PLATING:
 SHIELD:SOLDER TAIL:TIN(Sn),THICKNESS=100 MICROINCH MINIMUM
 UNDER PLATE:NICKEL(Ni) PLATED (SOLDERING AVAILABLE) OVERALL.
 TERMINAL:CONTACT AREA:GOLD(Au),THICKNESS=50 MICROINCH/1.27 MICROMETER
 SOLDER TAIL:TIN(Sn),THICKNESS=100 MICROINCH MINIMUM
 UNDER PLATE:NICKEL(Ni) PLATED OVERALL.
 LED:TIN/SILVER/NICKEL/COPPER PLATING
 3.MAGNETICS:
 IMPEDANCE:100 OHMS
 TRANSMIT OPEN CIRCUIT INDUCTANCE (OCL):350uH (MIN)@ 100KHZ.0.1 VRMS WITH 8 mA DC BIAS
 TURNS RATIO (CHIP:CABLE):TX:1,RX:1:1
 PERFORMANCE:
 TRANSMIT BIDIRECTIONAL J3 AND J6
 RECIEVE BIDIRECTIONAL J1 AND J2

LED ELECTRICAL SPECIFICATION

PARAMETER	YELLOW (TYP.)	GREEN (TYP.)	UNITS	TEST CONDITIONS
POWER DISSIPATION	100	100	mW	
REVERSE VOLTAGE	5	5	V	
PEAK WAVELENGTH	585	565	nm	IF=20mA
FORWARD VOLTAGE	2.1 MAX.=2.5	2.1 MAX.=2.5	V	IF=20mA

FREQUENCY	INSERTION LOSS	RETURN LOSS	CROSSTALK ATTENUATION	COMMON MADEREJECTION RATIO	
				TX	RX
1.0MHZ-15.0MHZ	0.3dB(MAX)	18.0dB(MIN)	35.0dB(MIN)	46.0dB(MIN)	35.0dB(MIN)
15.1MHZ-60.0MHZ	0.6dB(MAX)	16.0dB(MIN)	26.0dB(MIN)	46.0dB(MIN)	35.0dB(MIN)
60.1MHZ-80.0MHZ	1.1dB(MAX)	15.0dB(MIN)	24.0dB(MIN)	42.0dB(MIN)	33.0dB(MIN)
80.1MHZ-100.0MHZ	1.1dB(MAX)	12.0dB(MIN)	24.0dB(MIN)	42.0dB(MIN)	33.0dB(MIN)

DIELECTRIC (ISOLATION VOLTAGE):
 2250 VDC (1mA CUTOFF CURRENT) FOR 60 SECONDS DURATION
 WITH DECOUPLING CAP
 ALL BRIDGED ON EITHER SIDE OF MAGNETICS PACKAGE FOR
 RJ-45 CONTACT
 4.RECOMMENDED PCB THICKNESS 2.00mm(.079")
 5.SUGGESTED OPERATING CURRENT FOR THE LED IS 20mA
 6.PRODUCT SPECIFICATION REFER TO PS-48033-002
 7.TEST SUMMARY REFER TO TS-48033-004
 8.PACKAGING SPECIFICATION REFER TO PK-48033-004
 9.LEAD FREE AND RoHS COMPLIANT PRODUCT

ROHS FOR 48033-2000
 EC NO: SH2007-0131
 DRWN:ALLIN 2006/10/04
 CHKD: 2006/10/04
 APPR:WMSCHANG 2006/10/04

QUALITY SYMBOLS

 DESCRIPTION
 REV

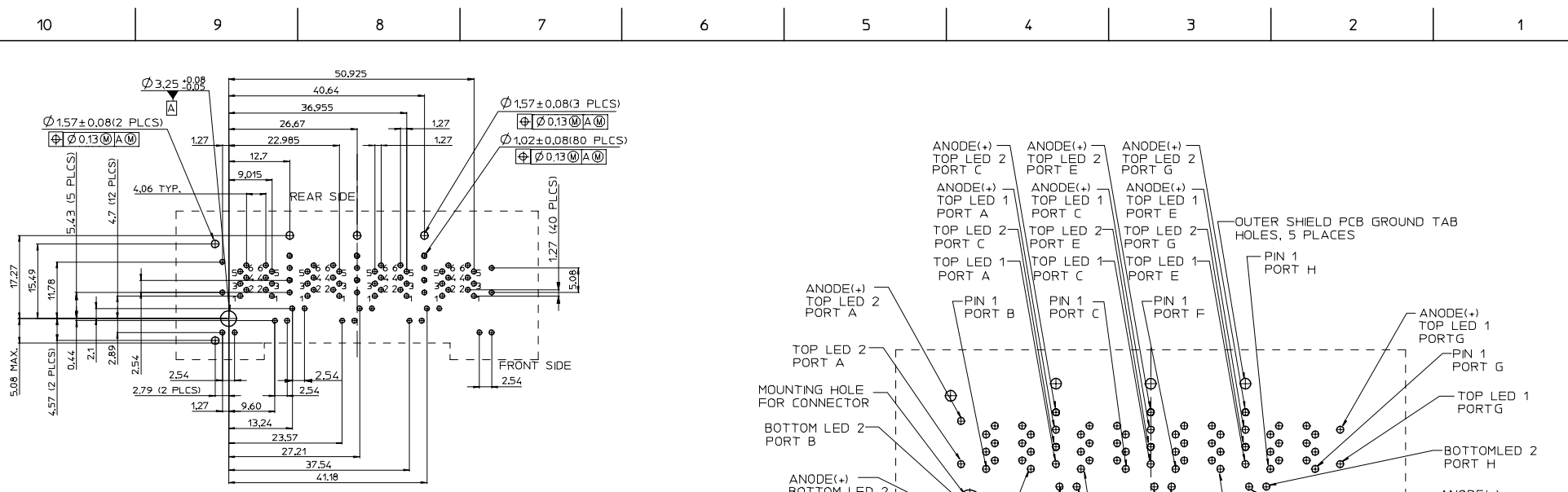
GENERAL TOLERANCES (UNLESS SPECIFIED)

	mm	INCH
4 PLACES	± ---	± ---
3 PLACES	± ---	± ---
2 PLACES	± 0.25	± ---
1 PLACE	± 0.25	± ---

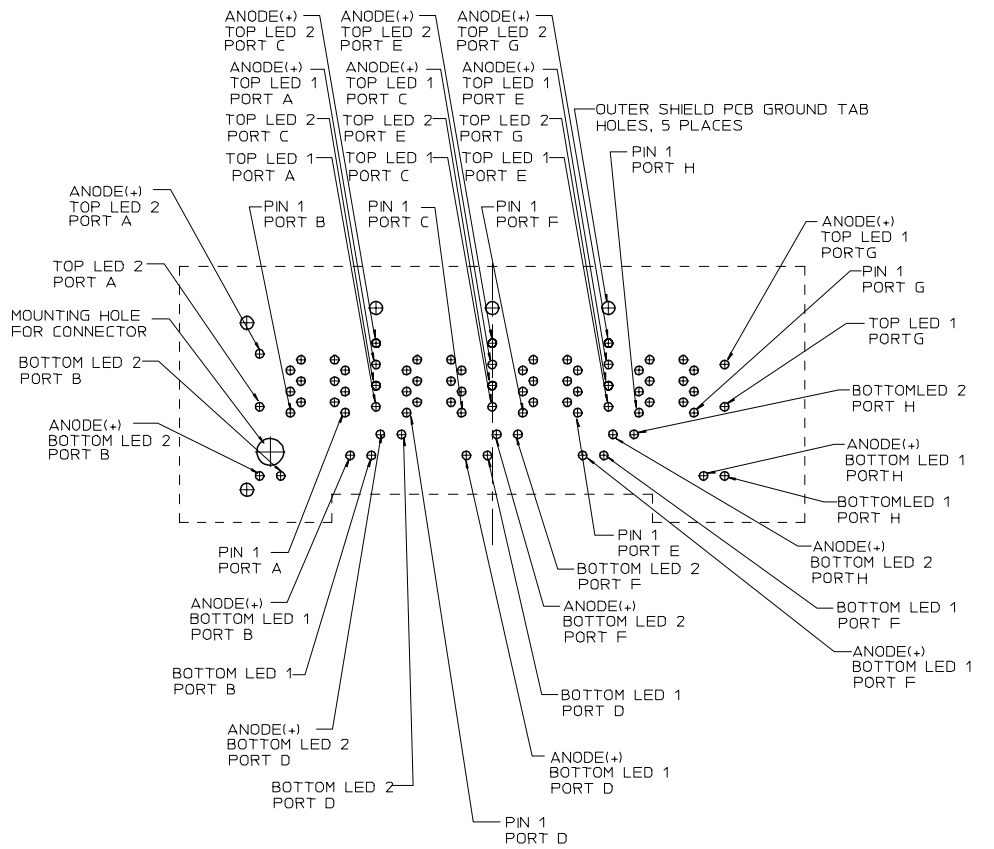
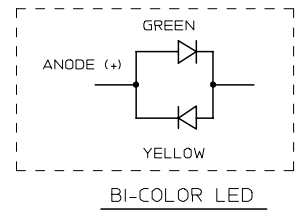
 ANGULAR ± 3 °
 DRAFT WHERE APPLICABLE
 MUST REMAIN WITHIN DIMENSIONS

DIMENSION STYLE
 MM ONLY
 DRAWN BY LINDA 2006/08/08
 CHECKED BY ALLEN LIN 2006/08/10
 APPROVED BY ERICK LAN 2006/08/10
 MATERIAL NO. 48033-2900

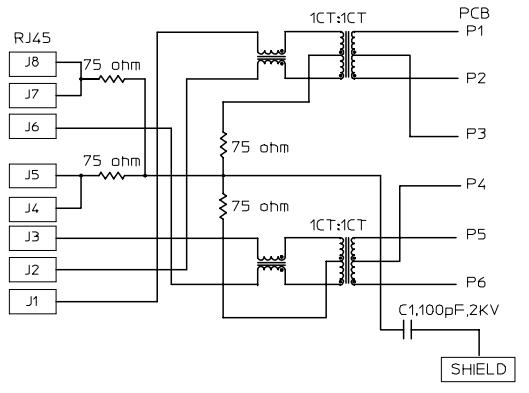
SCALE DESIGN UNITS METRIC
 THIRD ANGLE PROJECTION
 TITLE MODULAR JACK STACKED 2X4 RA, 10/100 ETHERNET W/ LEDS, MAGNETICS
 MOLEX INCORPORATED
 DOCUMENT NO. SD-48033-004 SHEET NO. 1 OF 2
 THIS DRAWING CONTAINS INFORMATION THAT IS PROPRIETARY TO MOLEX INCORPORATED AND SHOULD NOT BE USED WITHOUT WRITTEN PERMISSION



RECOMMENDED PC BOARD LAYOUT
(VIEWED FRONT COMPONENT SIDE)



RECOMMENDED LED HOLE DESIGNATIONS
(VIEWED FROM COMPONENT SIDE)



MAGNETIC SCHEMATIC

SEE SHEET 1 EC NO: SH2007-0131 DRWN: ALLIN CHKD: APPR: WMSCHANG	2006/10/04 2006/10/04 2006/10/04	DESCRIPTION REV	QUALITY SYMBOLS	GENERAL TOLERANCES (UNLESS SPECIFIED)	DIMENSION STYLE	SCALE	DESIGN UNITS	THIRD ANGLE PROJECTION
			$\nabla = 0$ $\triangle = 0$	mm INCH	MM ONLY	1:1	METRIC	
			4 PLACES ± --- ± --- 3 PLACES ± --- ± --- 2 PLACES ± 0.25 ± --- 1 PLACE ± 0.25 ± --- ANGULAR ± 3°	DRAWN BY LINDA CHECKED BY ALLEN LIN APPROVED BY ERICK LAN DATE 2006/08/08 DATE 2006/08/10 DATE 2006/08/10	TITLE			MODULAR JACK STACKED 2X4 RA, 10/100 ETHERNET W/ LEDS, MAGNETICS
			DRAFT WHERE APPLICABLE MUST REMAIN WITHIN DIMENSIONS	MATERIAL NO. 48033-2900 SIZE A3 THIS DRAWING CONTAINS INFORMATION THAT IS PROPRIETARY TO MOLEX INCORPORATED AND SHOULD NOT BE USED WITHOUT WRITTEN PERMISSION	MOLEX INCORPORATED DOCUMENT NO. SD-48033-004 SHEET NO. 2 OF 2			