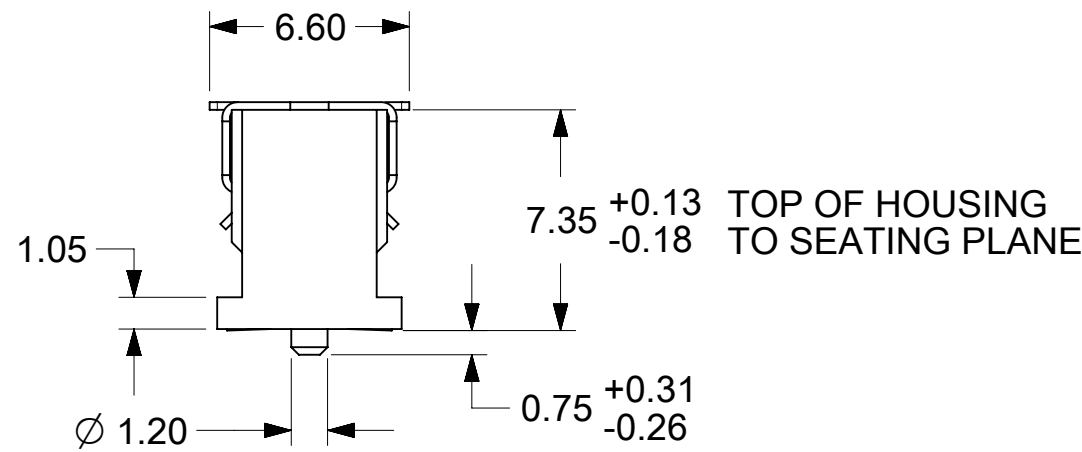
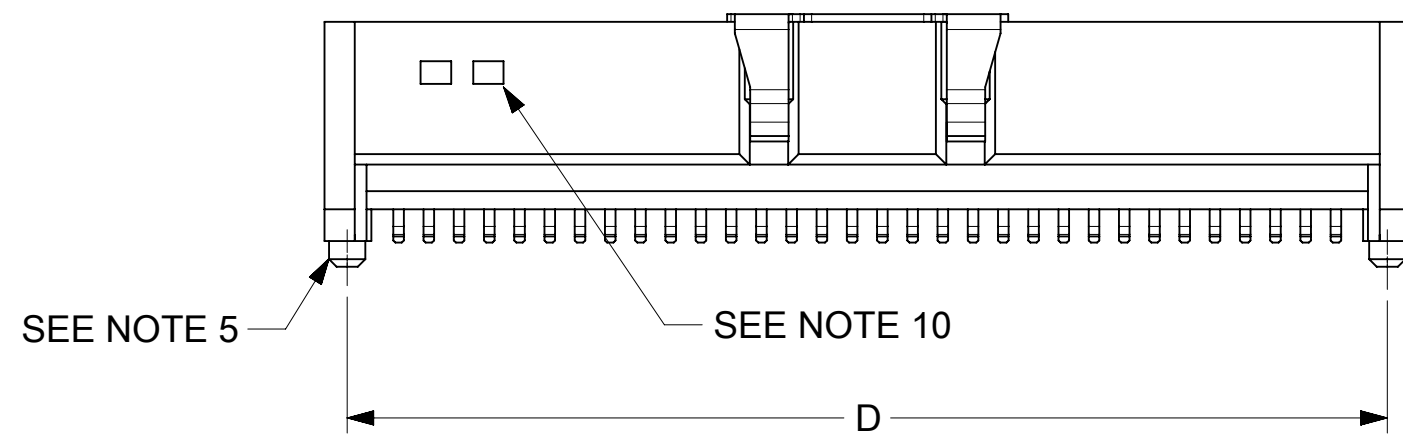
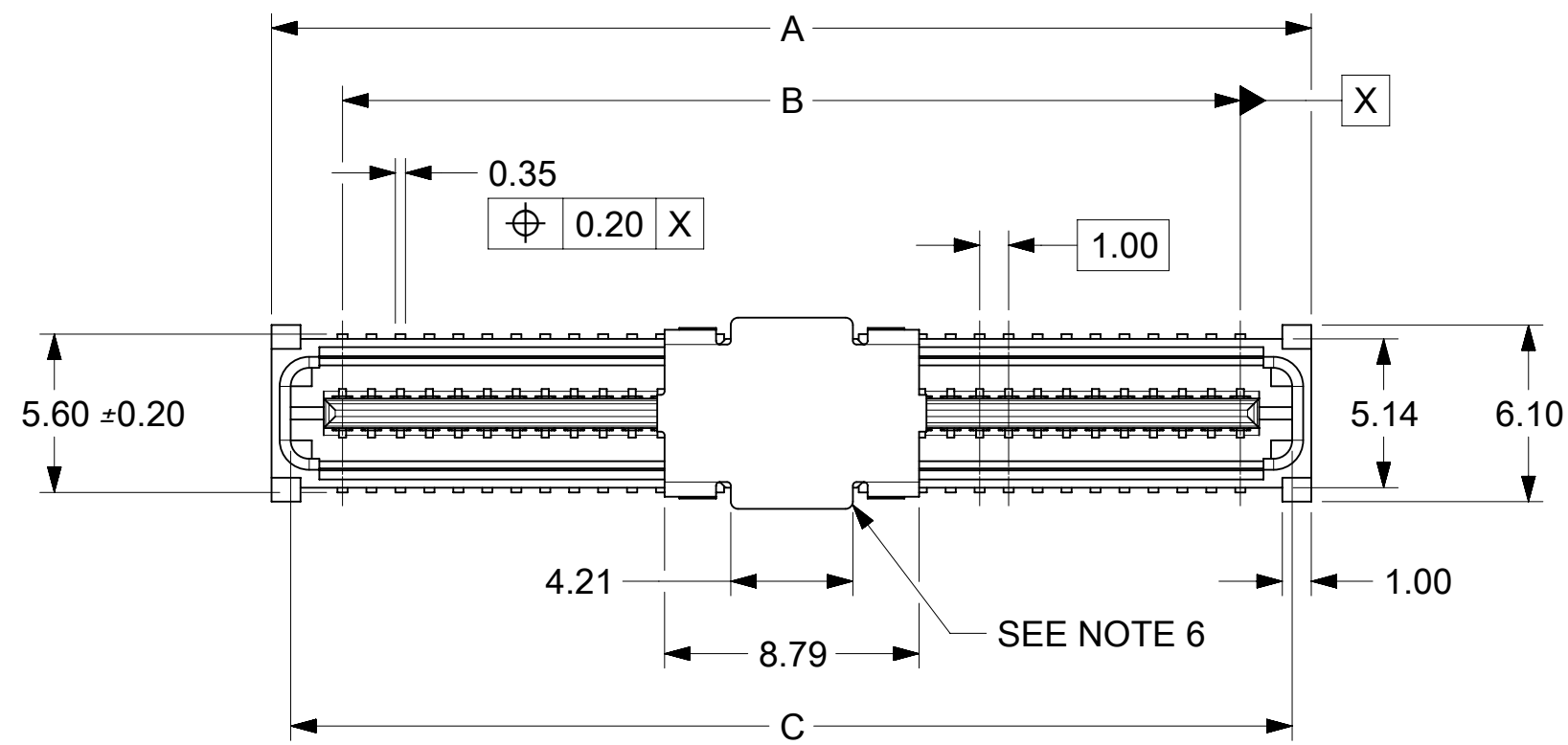


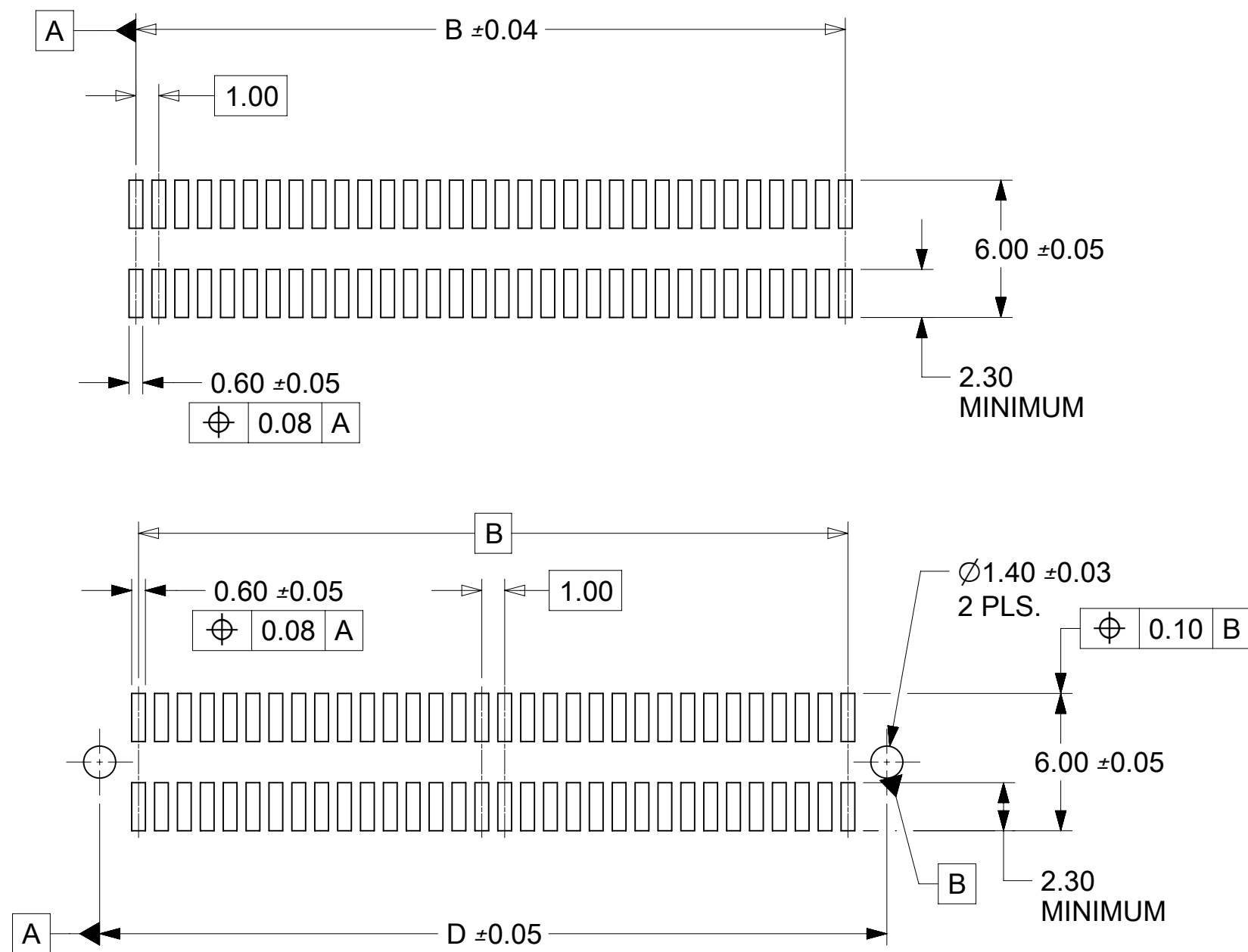
* THE PRIMARY SHIPPING CARTON WILL BE LABELED "COMPLIANT TO RoHS DIRECTIVE 2002/95/EC AND ELV ANNEX II OF DIRECTIVE 2000/53/EC" CARTONS WITHOUT THIS LABEL MAY CONTAIN PRODUCT WITH LEAD.

CIRCUIT SIZE	DIM.A	DIM.B	DIM.C	DIM.D
20	13.90	9.00	12.58	12.40
30	18.90	14.00	17.58	17.40
40	23.90	19.00	22.58	22.40
50	28.90	24.00	27.58	27.40
60	33.90	29.00	32.58	32.40
64	35.90	31.00	34.58	34.40
70	38.90	34.00	37.58	37.40
80	43.90	39.00	42.58	42.40
84	45.90	41.00	44.58	44.40
90	48.90	44.00	47.58	47.40
100	53.90	49.00	52.58	52.40
110	58.90	54.00	57.58	57.40
120	63.90	59.00	62.58	62.40



NOTES

- HOUSING MATERIAL: G.F. THERMOPLASTIC; UL RATING: 94V-0; COLOR: WHITE
TERMINAL MATERIAL: PHOSPHOR BRONZE; 0.205 THICK.
VACUUM CAP MATERIAL: STAINLESS STEEL; 0.255 THICK.
- PLATING FINISHES: SEE SHEET 2.
- THIS PART, WHEN MATED WITH MOLEX 1.0mm RECEPTACLE CONNECTOR SERIES 71439, CONFORMS TO MOLEX PRODUCT SPECIFICATION PS-71436-9999. REFER TO TABLE ON SHEET 2 FOR MATED STACK HEIGHTS FOR THIS PLUG.
- PACKAGING SPECIFICATIONS: REFER TO TABLE ON SHEET 2.
- PEGS ARE OPTIONAL. REFER TO TABLE ON SHEET 2.
- VACUUM PICK & PLACE CAP OPTIONAL. REFER TO TABLE ON SHEET 2.
- THIS PART CONFORMS TO EIA STANDARD 700 AAB FOR 1.0mm TWO-PART CONNECTORS FOR USE WITH PARALLEL PRINTED BOARDS.
- COPLANARITY OF SMT TAILS: 0.10 MAX.
- 64-CIRCUIT PLUG ASSEMBLY WITH PEGS AND VACUUM CAP SHOWN FOR ILLUSTRATION PURPOSES ONLY.
- DATE CODE STAMP IS WEEK, YEAR LOCATED APPROXIMATELY WHERE SHOWN.



RECOMMENDED PCB LAYOUT
(WITH AND WITHOUT PEGS)
RECOMMENDED PCB THICKNESS: 1.00±0.10 MINIMUM

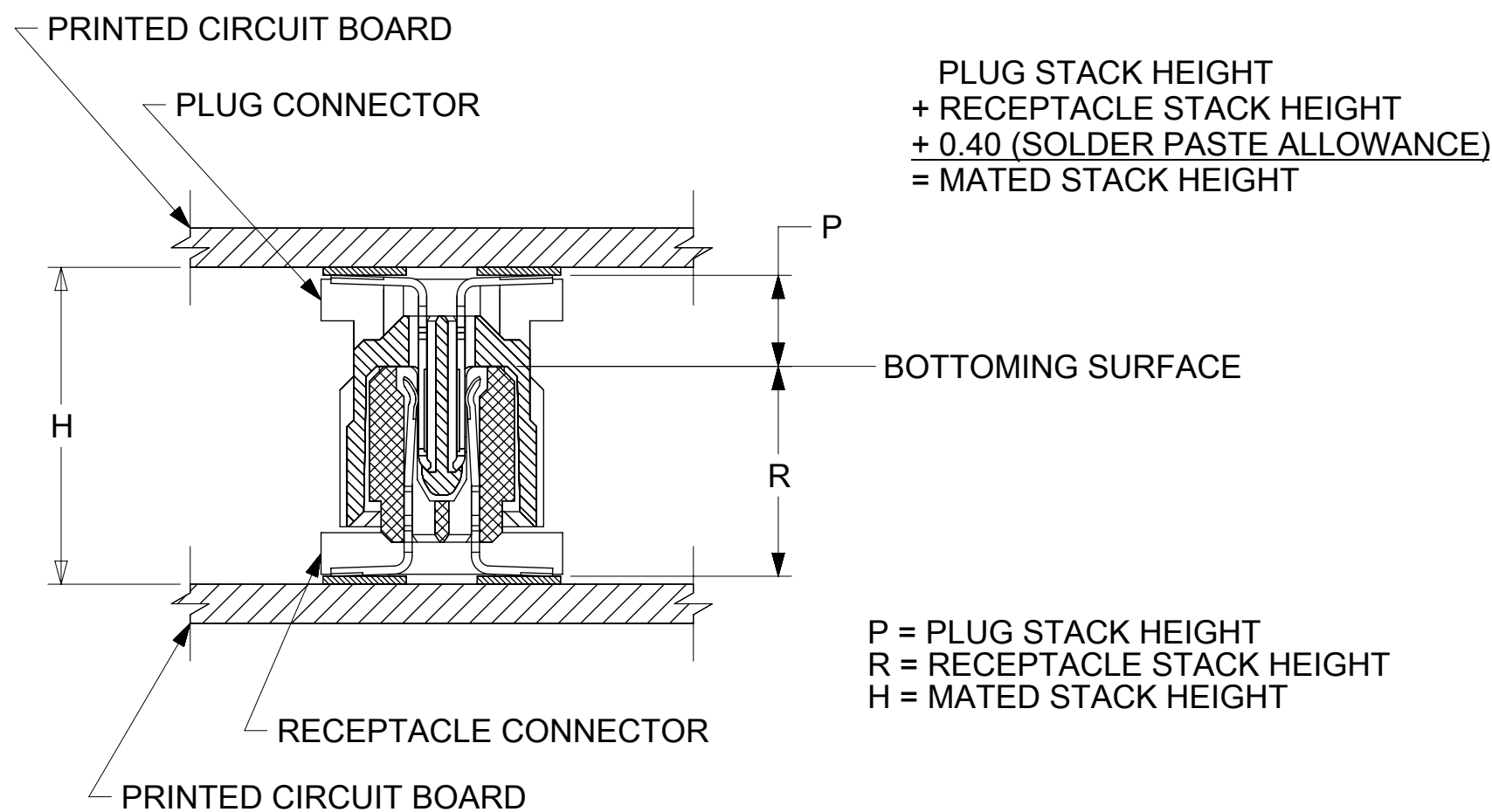
THIS DRAWING CONTAINS INFORMATION THAT IS PROPRIETARY TO MOLEX ELECTRONIC TECHNOLOGIES, LLC AND SHOULD NOT BE USED WITHOUT WRITTEN PERMISSION									
DIMENSION UNITS	SCALE	CURRENT REV DESC: OBSOLETE PART NUMBER							
mm	4:1								
GENERAL TOLERANCES (UNLESS SPECIFIED)					SALES ASSY, 1.0MM BOARD TO BOARD PLUG CONNECTOR 3.30 STACK HEIGHT				
ANGULAR TOL	± 0.5°	EC NO: 638770			PRODUCT CUSTOMER DRAWING				
4 PLACES	±	DRWN: VLOKESHA 2020/03/09			DOCUMENT NUMBER				
3 PLACES	±	CHK'D: GGA 2020/07/21			714361000				
2 PLACES	± 0.13	APPR: GGA 2020/07/21			DOC TYPE DOC PART REVISION				
1 PLACE	± 0.25	INITIAL REVISION:			PSD 000 A2				
0 PLACES	±	DRWN: REED 1995/04/03			MATERIAL NUMBER				
DRAFT WHERE APPLICABLE MUST REMAIN WITHIN DIMENSIONS		APPR: BIXLER 1995/04/03			CUSTOMER				
THIRD ANGLE PROJECTION		DRAWING			SHEET NUMBER				
C-SIZE		SERIES			SEE TABLE GENERAL MARKET 1 OF 2				
		71436							

STANDARD

CIRCUIT SIZE	PLUG ASSY. PART NUMBER	PEGS	CONTACT PLATING SEE PLATING NOTES	PICK & PLACE CAP	PACKAGING SPEC. NUMBER	PACKAGING TYPE
64	71436-1164	YES	30 GOLD	NO	PK-70873-0607	TUBE
64	71436-1364	YES	30 GOLD	YES	PK-70873-0607	TUBE
64	71436-1464	YES	30 GOLD	YES	PK-70873-063	TAPE & REEL
64	71436-1564	NO	30 GOLD	NO	PK-70873-0606	TUBE
64	71436-1864	NO	30 GOLD	YES	PK-70873-063	TAPE & REEL
64	71436-1264	YES	50 GOLD	NO	PK-70873-0607	TUBE
64	71436-1064	NO	50 GOLD	NO	PK-70873-0607	TUBE

RECOMMENDED PLUG/RECEPTACLE COMBINATION FOR MATED STACK HEIGHT PER EIA STANDARD 700 AAAB

MATED STACK HEIGHT	RECEPTACLE HEIGHT	RECEPTACLE SERIES NO.	PLUG HEIGHT	PLUG SERIES NO.
9.00	5.30	71439-0***	3.30	71436-1***
11.00	7.30	71439-1***		
14.00	10.30	71439-3***		



PLATING PER ES-88

30 GOLD - 0.76 MICROMETERS MINIMUM GOLD IN CONTACT AREA AND 1.91 MICOMETERS MINIMUM MATTE TIN IN PC TAIL AREA OVER 1.27 MICROMETERS MINIMUM PLATING OVERALL.

50 GOLD - 1.27 MICROMETERS MINIMUM GOLD IN CONTACT AREA AND 1.91 MICOMETERS MINIMUM MATTE TIN IN PC TAIL AREA OVER 1.27 MICROMETERS MINIMUM PLATING OVERALL.

THIS DRAWING CONTAINS INFORMATION THAT IS PROPRIETARY TO MOLEX ELECTRONIC TECHNOLOGIES, LLC AND SHOULD NOT BE USED WITHOUT WRITTEN PERMISSION									
DIMENSION UNITS	SCALE	CURRENT REV DESC: OBSOLETE PART NUMBER			molex				
mm	1:1								
GENERAL TOLERANCES (UNLESS SPECIFIED)					SALES ASSY, 1.0MM BOARD TO BOARD PLUG CONNECTOR 3.30 STACK HEIGHT				
ANGULAR TOL	± 0.5°	EC NO: 638770			PRODUCT CUSTOMER DRAWING				
4 PLACES	±	DRWN: VLOKESHA 2020/03/09			DOCUMENT NUMBER				
3 PLACES	±	CHK'D: GGA 2020/07/21			714361000				
2 PLACES	± 0.13	APPR: GGA 2020/07/21			DOC TYPE		DOC PART		REVISION
1 PLACE	± 0.25	INITIAL REVISION:			PSD		000		A2
0 PLACES	±	DRWN: REED 1995/04/03			MATERIAL NUMBER		CUSTOMER		SHEET NUMBER
DRAFT WHERE APPLICABLE MUST REMAIN WITHIN DIMENSIONS		THIRD ANGLE PROJECTION		DRAWING		SERIES		SEE TABLE	
		C-SIZE		71436		GENERAL MARKET		2 OF 2	