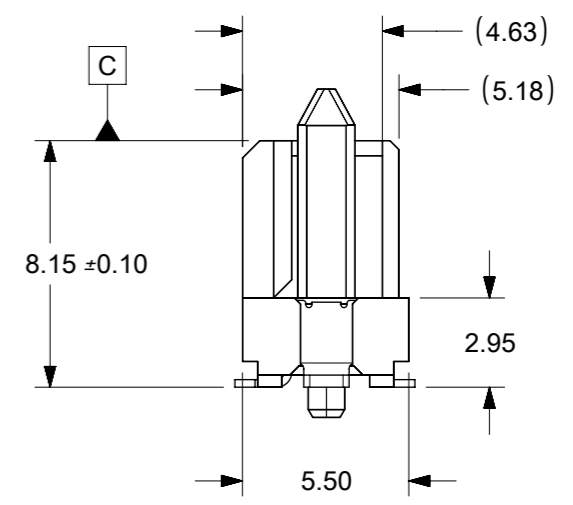
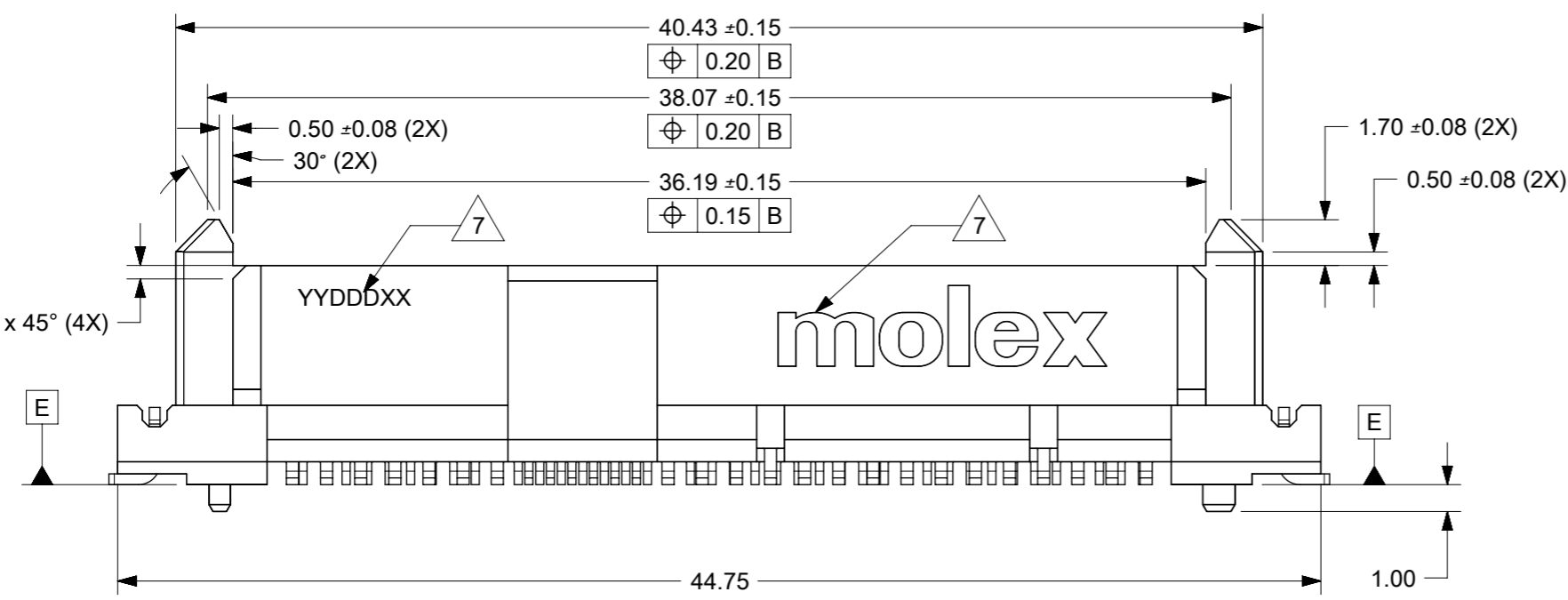


- NOTES:
- MATERIALS:
HOUSING: LCP, GLASS FILLED, UL94V-0, COLOR: BLACK
TERMINALS & FORK LOCK: COPPER ALLOY
 - FINISHES:
TERMINALS:
0.76µM MIN GOLD ON CONTACTS OVER 1.27µM MIN NICKEL UNDERPLATE.
2.54µM MIN MATTE TIN ON SOLDER TAIL OVER 1.27µM MIN NICKEL UNDERPLATE.
HOLDDOWN:
2.54µM MIN MATTE TIN OVER 1.27µM MIN NICKEL UNDERPLATE
 - PRODUCT SPECIFICATION: PS-78777-001
 - PACKAGING SPECIFICATION: PK-78777-001
 - MATES WITH: SFF 8639 PLUG, SFF8482 PLUG, SFF8680 PLUG.
 - NON FUNCTIONAL CORING TO VARIES.
 - MOLEX LOGO, DATE CODE AND CAVITY ID TO BE LOCATED APPROXIMATELY AS SHOWN.



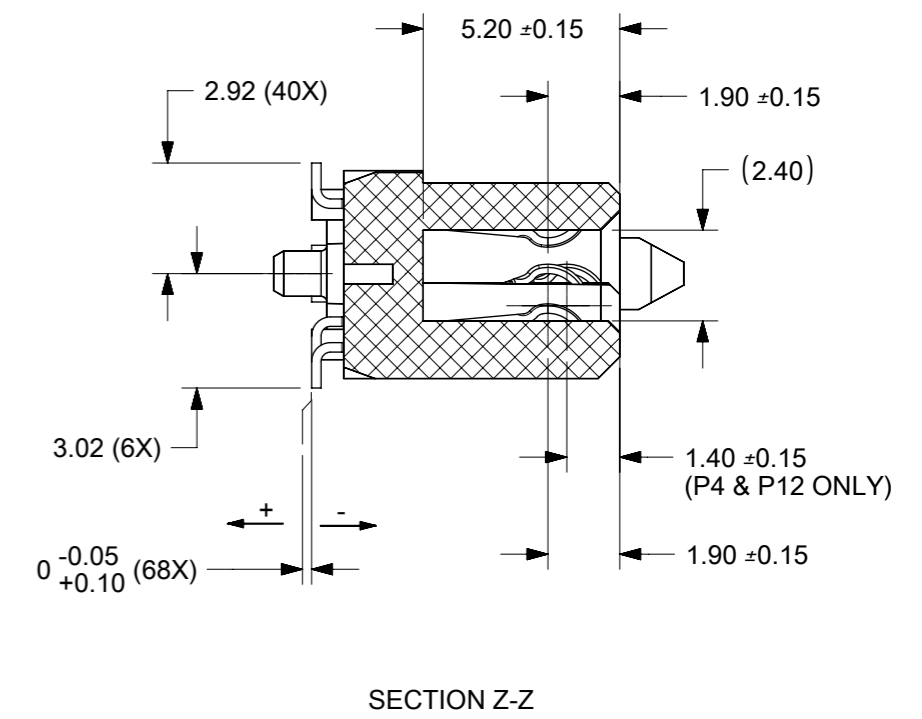
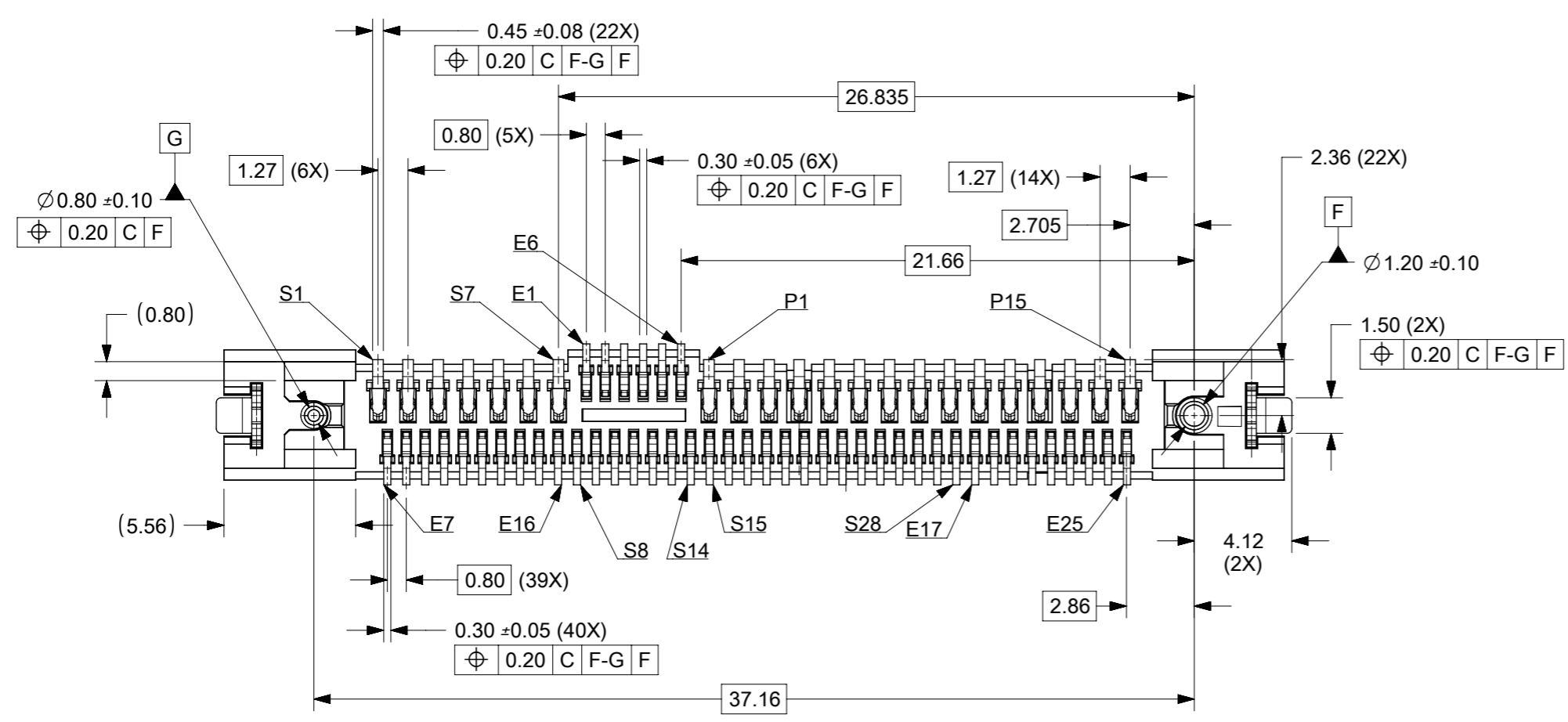
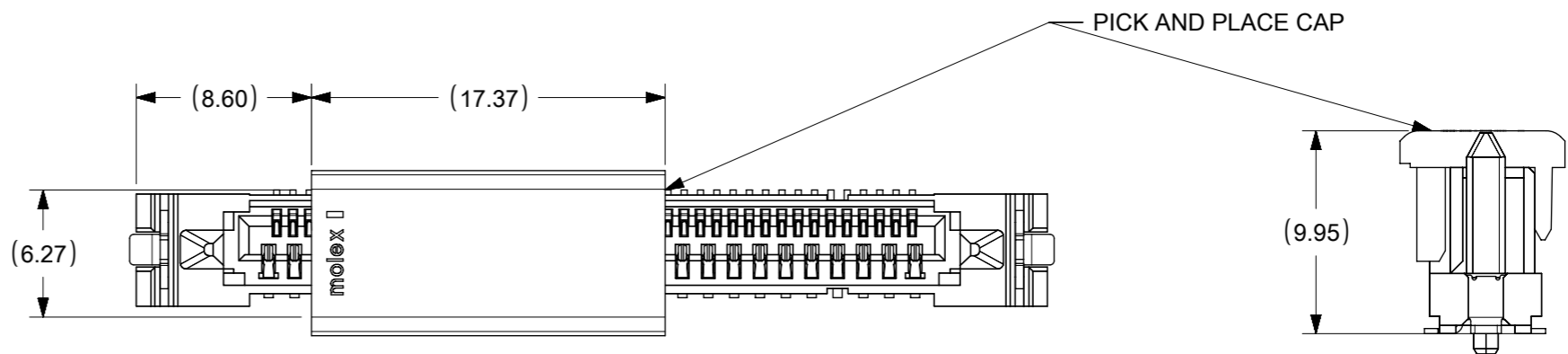
YYDDDXX
 YEAR
 DAYS

ASSEMBLY LINE CODE
 1#-EXISTING LINE
 2#-NEW LINE

THIS DESIGN IS BASED ON DESIGN OBJECTIVES AND IS STRICTLY TENTATIVE. IT MAY CHANGE BASED ON RESULTS OF ADDITIONAL DESIGN REVIEWS & VERIFICATIONS.

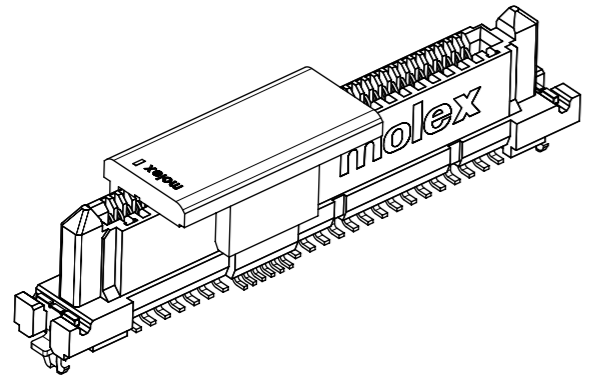
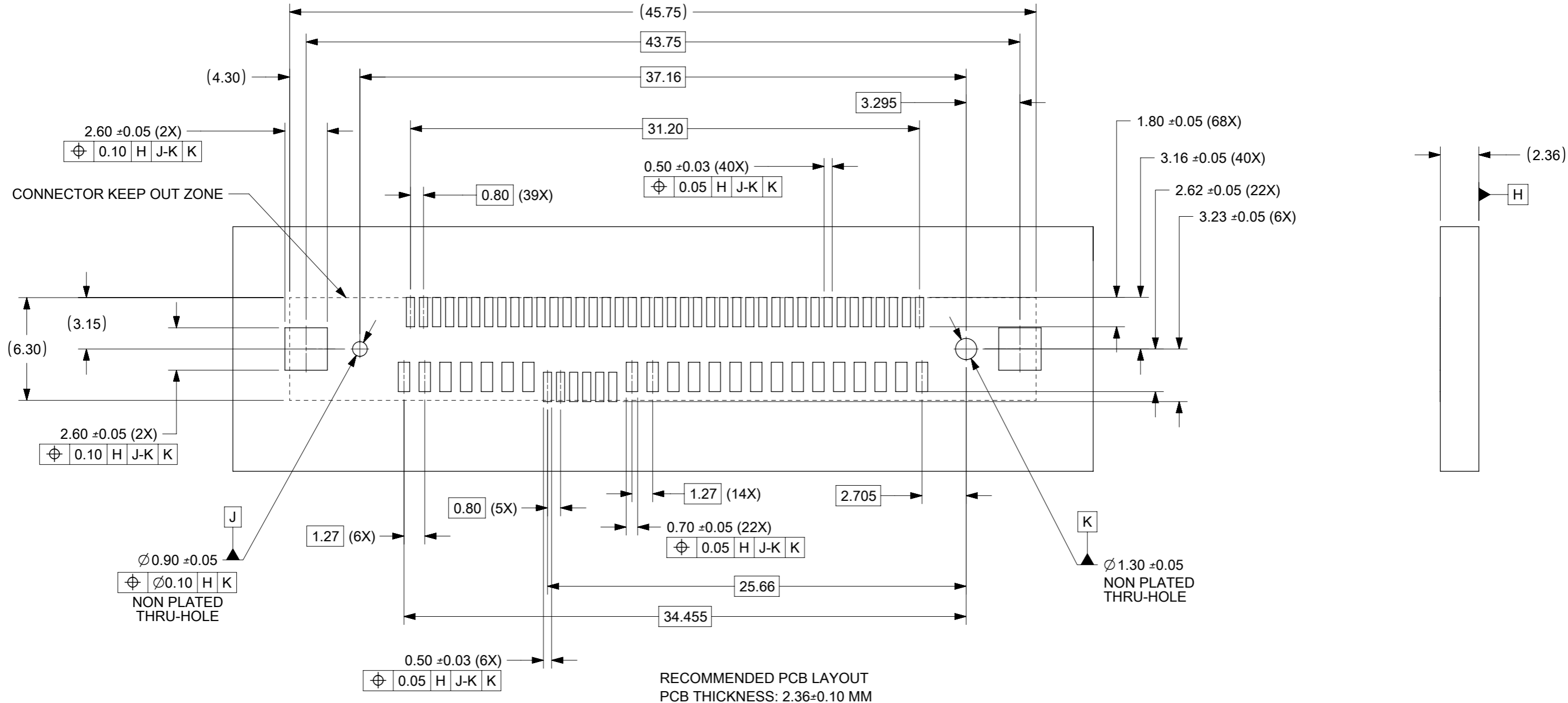
SYMBOLS		THIS DRAWING CONTAINS INFORMATION THAT IS PROPRIETARY TO MOLEX ELECTRONIC TECHNOLOGIES, LLC AND SHOULD NOT BE USED WITHOUT WRITTEN PERMISSION	
▽ = 0	DIMENSION UNITS	SCALE	CURRENT REV DESC: HSG ADD CORE OUT
▽ = 0	mm		
▽ = 0	GENERAL TOLERANCES (UNLESS SPECIFIED)		
▽ = 0	ANGULAR TOL	± 3.0°	
▽ = 0	4 PLACES	±	EC NO: 178318
▽ = 0	3 PLACES	±	DRWN: RCHEN55 2018/06/21
▽ = 0	2 PLACES	± 0.2	CHK'D: SHONG 2018/07/05
▽ = 0	1 PLACE	±	APPR: SHONG 2018/07/05
▽ = 0	0 PLACES	±	INITIAL REVISION:
▽ = 0	DRAFT WHERE APPLICABLE MUST REMAIN WITHIN DIMENSIONS	THIRD ANGLE PROJECTION	DRWN: CGOH 2013/03/22
		DRAWING	APPR: BOKOK 2013/04/09
		SERIES	
		MATERIAL NUMBER	
		CUSTOMER	
		SHEET NUMBER	
		A3-SIZE	78777
		SEE TABLE	SD-78777-001
		GENERAL MARKET	PSD 000 B
			1 OF 3

PART NO.	PACKAGING SPECIFICATION	PACKAGING
78777-0001	PK-78777-001	TAPE AND REEL



SYMBOLS DIMENSION UNITS: mm SCALE: CURRENT REV DESC: HSG ADD CORE OUT GENERAL TOLERANCES (UNLESS SPECIFIED): ANGULAR TOL ± 3.0° 4 PLACES ± 3 PLACES ± 2 PLACES ± 0.2 1 PLACE ± 0 PLACES ± DRAFT WHERE APPLICABLE MUST REMAIN WITHIN DIMENSIONS THIRD ANGLE PROJECTION DRAWING: A3-SIZE SERIES: 78777 MATERIAL NUMBER: SEE TABLE CUSTOMER: GENERAL MARKET SHEET NUMBER: 2 OF 3	molex SAS/PCIE STD HEIGHT BACKPLANE SMT RECEPTACLE SMT CLIP PRODUCT CUSTOMER DRAWING		
	EC NO: 178318 DRWN: RCHEN55 CHK'D: SHONG APPR: SHONG	2018/06/21 2018/07/05 2018/07/05	DOCUMENT NUMBER: SD-78777-001 DOC TYPE: PSD DOC PART: 000 REVISION: B
	INITIAL REVISION: DRWN: CGOH APPR: BOKOK	2013/03/22 2013/04/09	

DOCUMENT STATUS	P1	RELEASE DATE	2018/07/05	01:59:56
-----------------	----	--------------	------------	----------



RECOMMENDED PCB LAYOUT
PCB THICKNESS: 2.36±0.10 MM

SYMBOLS DIMENSION UNITS: mm SCALE: CURRENT REV DESC: HSG ADD CORE OUT GENERAL TOLERANCES (UNLESS SPECIFIED) ANGULAR TOL ± 3.0° 4 PLACES ± 3 PLACES ± 2 PLACES ± 0.2 1 PLACE ± 0 PLACES ± DRAFT WHERE APPLICABLE MUST REMAIN WITHIN DIMENSIONS THIRD ANGLE PROJECTION DRAWING: A3-SIZE SERIES: 78777 MATERIAL NUMBER: SEE TABLE CUSTOMER: GENERAL MARKET SHEET NUMBER: 3 OF 3	THIS DRAWING CONTAINS INFORMATION THAT IS PROPRIETARY TO MOLEX ELECTRONIC TECHNOLOGIES, LLC AND SHOULD NOT BE USED WITHOUT WRITTEN PERMISSION		molex SAS/PCIE STD HEIGHT BACKPLANE SMT RECEPTACLE SMT CLIP PRODUCT CUSTOMER DRAWING	
	EC NO: 178318 DRWN: RCHEN55 2018/06/21 CHK'D: SHONG 2018/07/05 APPR: SHONG 2018/07/05	INITIAL REVISION: DRWN: CGOH 2013/03/22 APPR: BOKOK 2013/04/09	DOCUMENT NUMBER: SD-78777-001 DOC TYPE: PSD DOC PART: 000 REVISION: B	