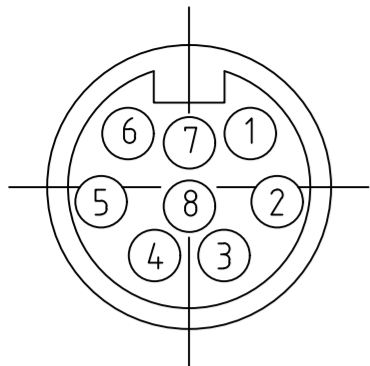


FACE VIEW-FEMALE INSERT



- 1 RED
- 2 PINK
- 3 GRAY
- 4 YELLOW
- 5 GREEN
- 6 WHITE
- 7 BLUE
- 8 BROWN

PART NO.	ENGINEERING NO.	FINISHED LENGTH
1300070173	208000A04M020	2.0M [6FT 7IN]
1300070175	208000A04M030	3.0M [9FT 10IN]
1300070176	208000A04M050	5.0M [16FT 5IN]
1300070177	208000A04M050	10.0M [32FT 10IN]
1300070178	208000A04M150	15.0M [49FT 2IN]
1300070179	208000A04M200	20.0M [65FT 7IN]

⑧ CABLE LENGTH TOLERANCES

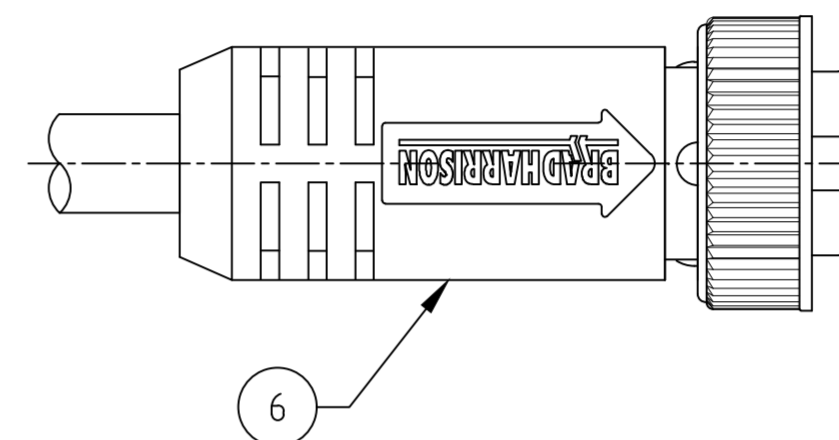
<.3M [1FT]:	+19mm-0 [+ .75in-0]
.3 - .9M [1 - 3FT]:	+44.5mm-0 [+1.75in-0]
.9 - 1.8M [3 - 6FT]:	+55.6mm-0 [+2.19in-0]
1.8 - 3.7M [6 - 12FT]:	+88.9mm-0 [+3.50in-0]
3.7 - 7.3M [12 - 24FT]:	+165.1mm-0 [+6.50in-0]
7.3-14.6M [24 - 48FT]:	+317.5mm-0 [+12.50in-0]
14.6 - 30.5M [48-100FT]:	+622.3mm-0 [+24.50in-0]
OVER 30M [100FT]	+2% OF FINISHED LENGTH

⑧ PART NUMBER LEGEND

208000A04M020

FINISHED LENGTH:

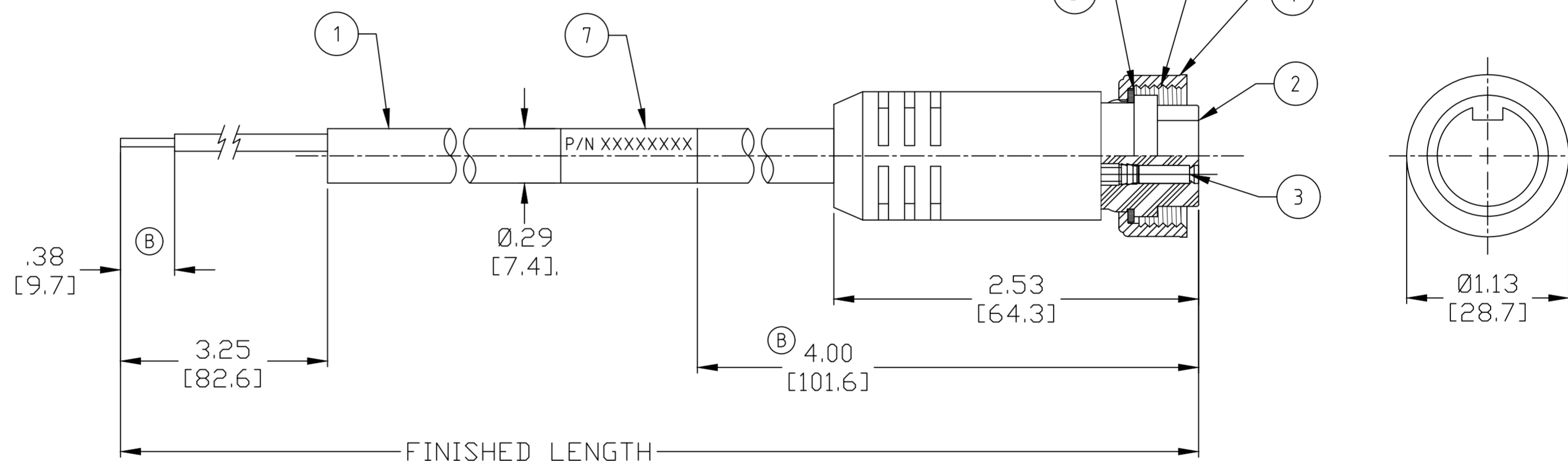
M005= 0.5
METER
M010= 1.0 METER
M100= 10.0
METERS



⑧

NOTES:

1. MATERIAL: AS NOTED
2. FINISH: AS NOTED
3. ELECTRICAL:
VOLTAGE: 300V
CURRENT: 2.5A
4. TEMP RATING: -25°C TO +105°C
5. PROTECTION: IP67 (WHEN MATED)
6. CSA FILE: LR6837
7. ALL DIMS ARE FOR REFERENCE UNLESS TOLERANCED OR NOTED OTHERWISE



ITEM	DESCRIPTION	MATERIAL	FINISH
7	WRAP LABEL	VINYL	BLACK/YELLOW
6	OVERMOLD	TPE ⑧	YELLOW
5	FRICTION RING	NYLON	WHITE
4	COUPLING NUT, INT. THD	ZINC DIE-CAST	BLACK E-COAT
3	CONTACT SOCKET	Cu ALLOY	GOLD PLATED
2	FEMALE INSERT	TPE ⑧	YELLOW
1	CABLE, 22/7, 18/1	PVC JACKET	YELLOW

FUNCTIONAL SYMBOLS	THIS DRAWING CONTAINS INFORMATION THAT IS PROPRIETARY TO MOLEX ELECTRONIC TECHNOLOGIES, LLC AND SHOULD NOT BE USED WITHOUT WRITTEN PERMISSION	
FA=0	DIMENSION UNITS: INCH/MM	SCALE: NTS
EC=0	CURRENT REV DESC: REV DOC PER LATEST STD. UPDATE NOTES. .38 STRIP WAS .18 OPT. LABEL WAS PLASTIC FILM. LABEL DIM WAS 12 IN. INSERT AND O-MOLD WERE PVC, ADD P/N LEGEND AND CABLE LENGTH TOL CHART, UPDATE P/N CHART	
EP=0	GENERAL TOLERANCES (UNLESS SPECIFIED)	
DIVISIONAL SYMBOLS	4 PLACES	±--- ±---
	3 PLACES	±--- ±---
	2 PLACES	±--- ±---
	1 PLACE	±--- ±---
	0 PLACES	±--- ±---
	ANGULAR TOL ± --- °	
	DRAFT WHERE APPLICABLE MUST REMAIN WITHIN DIMENSIONS	THIRD ANGLE PROJECTION
	DRAWING: C-SIZE	SERIES: 130007
	MATERIAL NUMBER: SEE P/N CHART	CUSTOMER: GENERAL MARKET
	SHEET NUMBER: 1 OF 1	

molex

MINI-CHANGE CABLE ASSEMBLY
FEMALE, STRAIGHT, 8 POLE, 22/7, 18/1 PVC

PRODUCT CUSTOMER DRAWING

DOCUMENT NUMBER: SD-130007-007
DOC TYPE/DOC PART/REVISION: PSD 001 B