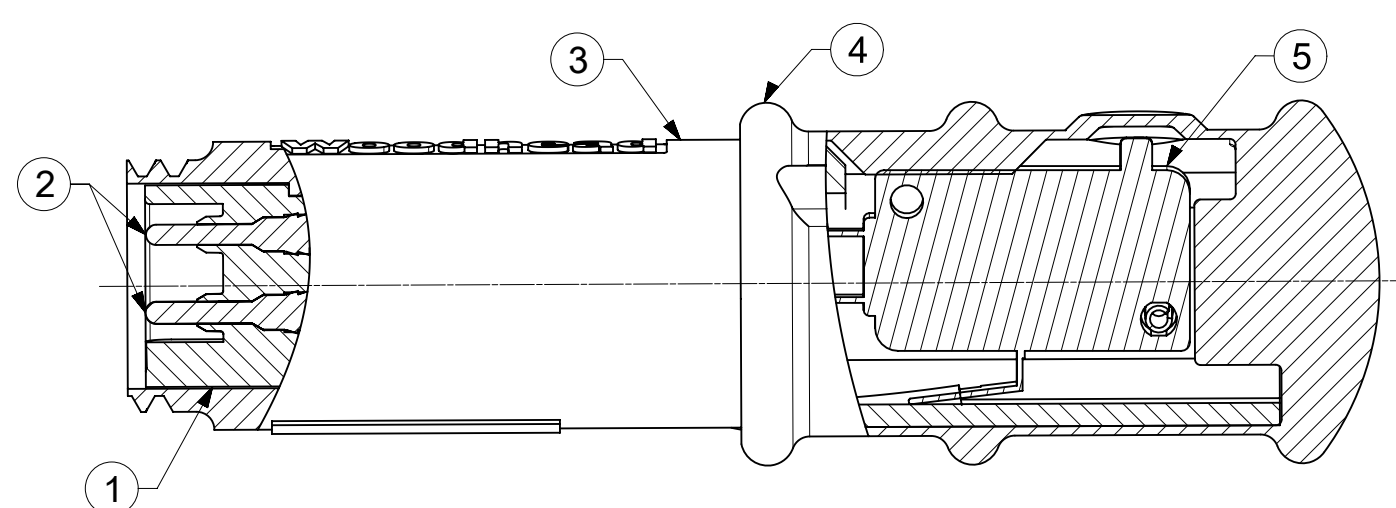
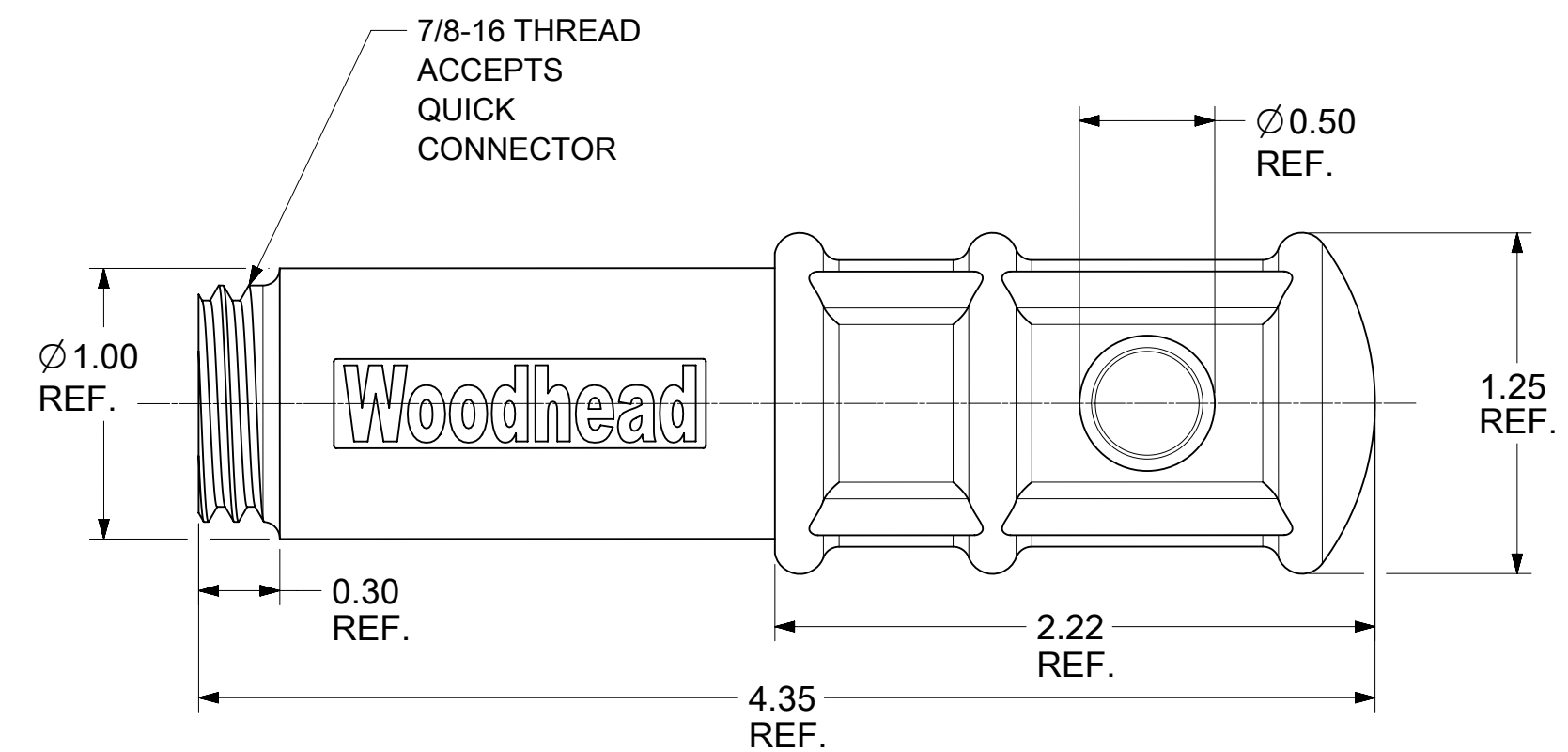
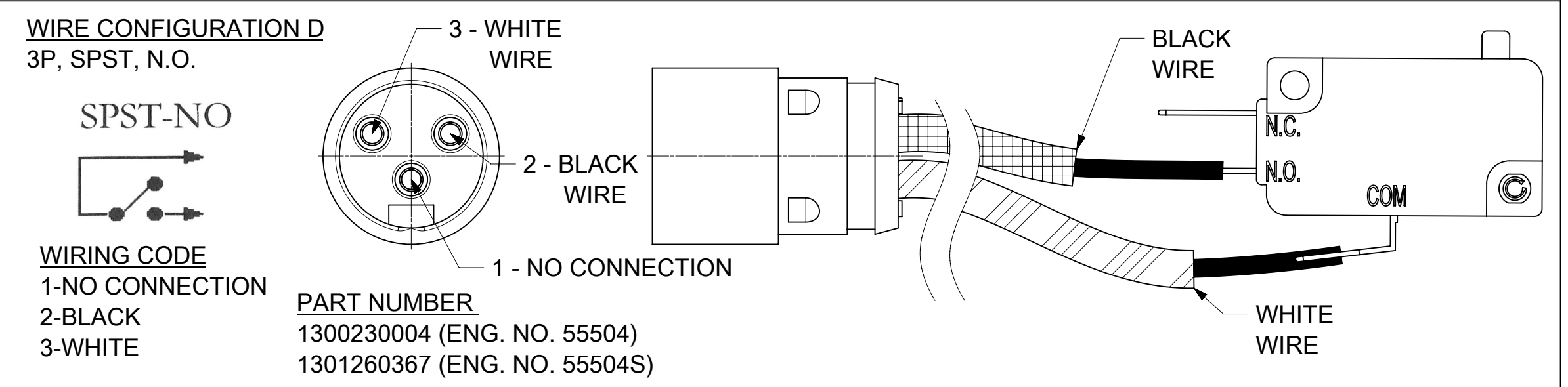
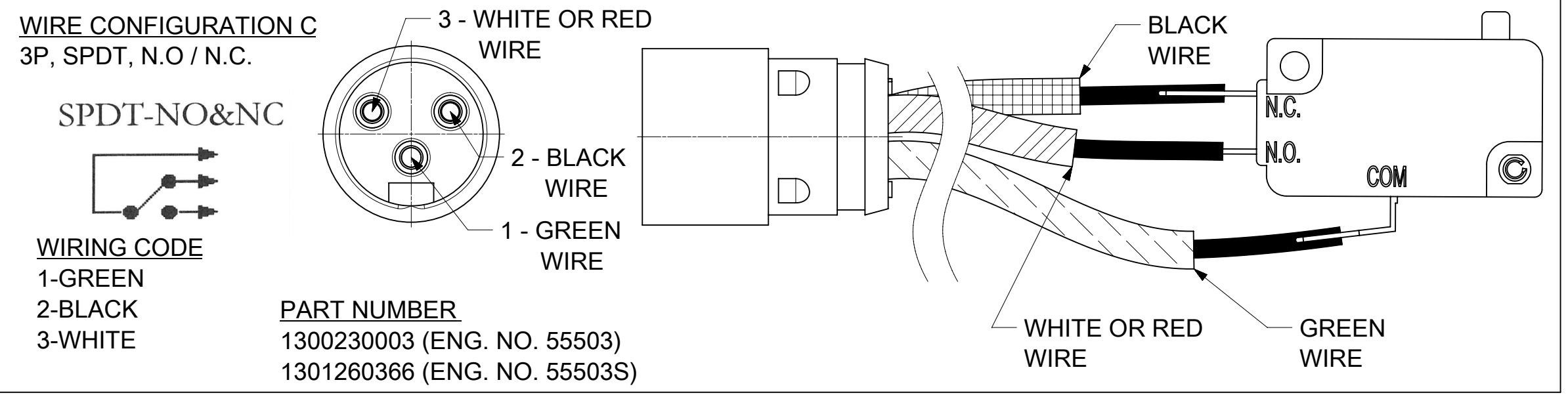
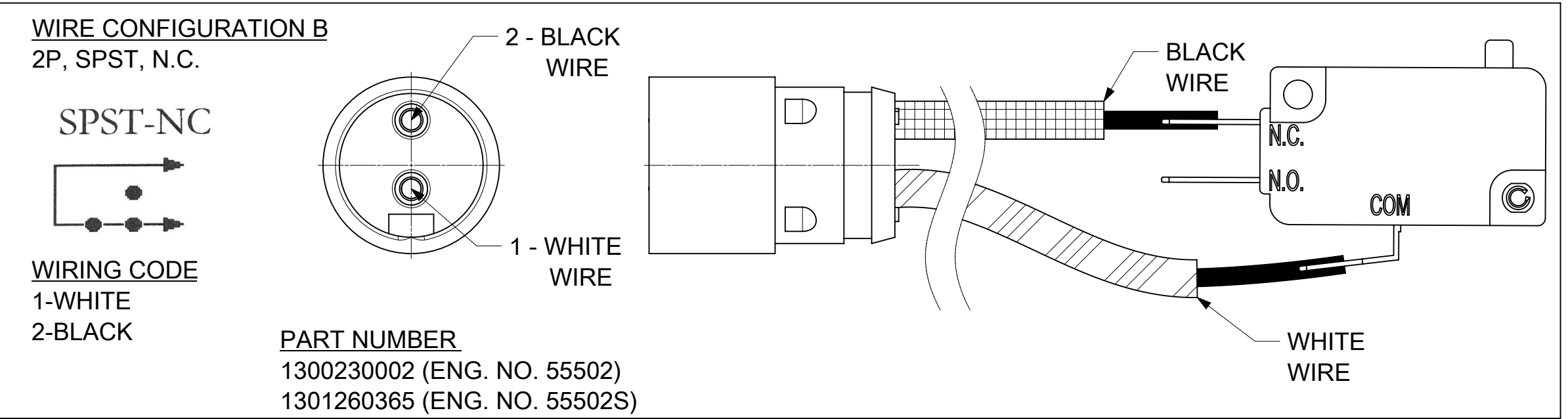
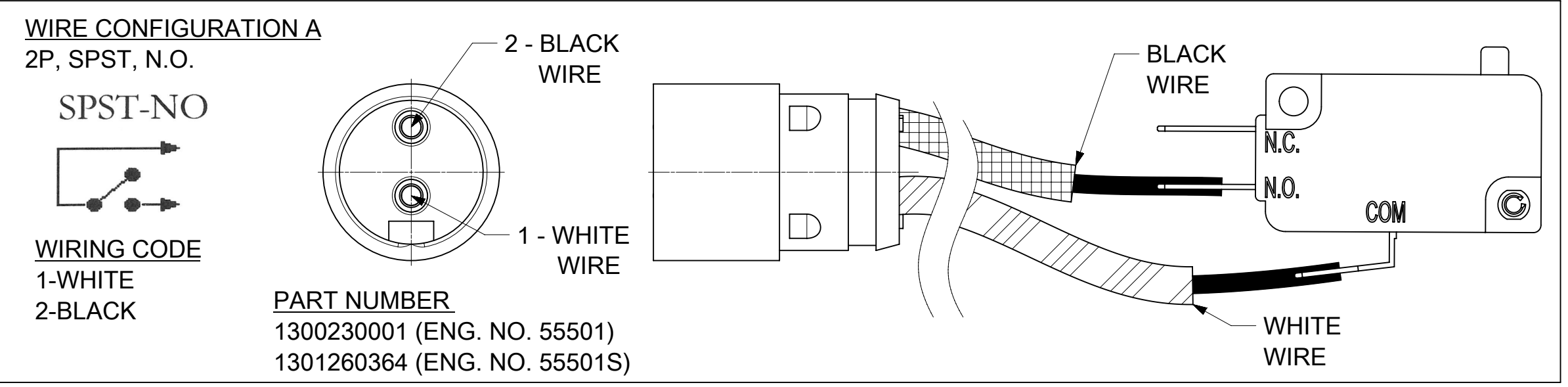


PART NUMBER	ENG. NUMBER	DESCRIPTION	SWITCH BOOT MATERIAL	WIRE CONFIGURATION
1300230001	55501	2P, SPST - NORMALLY OPEN	NBR/PVC	A
1300230002	55502	2P, SPST - NORMALLY CLOSED		B
1300230003	55503	3P, SPDT - NORMALLY OPEN / NORMALLY CLOSED		C
1300230004	55504	3P, SPST - NORMALLY OPEN	SILICONE	D
1301260364	55501S	2P, SPST - NORMALLY OPEN		A
1301260365	55502S	2P, SPST - NORMALLY CLOSED		B
1301260366	55503S	3P, SPDT - NORMALLY OPEN / NORMALLY CLOSED		C
1301260367	55504S	3P, SPST - NORMALLY OPEN	D	



ITEM	DESCRIPTION	MATERIAL	FINISH
1	PIN INSERT	PVC	YELLOW
2	CONTACT PIN	COPPER ALLOY	GOLD PLATED
3	SWITCH BODY	NYLON	YELLOW
4	SWITCH BOOT	RUBBER (SEE TABLE)	YELLOW
5	SWITCH	-	-

- NOTES:**
1. MATERIAL: SEE TABLE
 2. FINISHES: SEE TABLE
 3. ELECTRICAL SPECIFICATIONS
VOLTAGE RATING: 125/250VAC
CURRENT RATING: 10 AMPS (AC)
HORSEPOWER RATING: 1/2 HP
 4. OPERATING TEMP. RANGE: -20 °C to 85 °C
 5. ASSEMBLY IS RoHS COMPLIANT



FUNCTIONAL SYMBOLS FA = 0 FE = 0 FP = 0	THIS DRAWING CONTAINS INFORMATION THAT IS PROPRIETARY TO MOLEX ELECTRONIC TECHNOLOGIES, LLC AND SHOULD NOT BE USED WITHOUT WRITTEN PERMISSION		CURRENT REV DESC: ADD SWITCH SCHEMATIC AND WIRING CODE	
	DIMENSION UNITS INCH	SCALE 2:1	EC NO: 723619	
DIVISIONAL SYMBOLS	GENERAL TOLERANCES (UNLESS SPECIFIED)		DRWN: WLEUNG 2022/10/04	
	ANGULAR TOL ± 0.5°		CHK'D: DNGUYEN62 2022/10/04	
	4 PLACES ±		APPR: DNGUYEN62 2022/10/04	
	3 PLACES ±		INITIAL REVISION:	
2 PLACES ± 0.05		DRWN: RSTONE 2013/01/22		
1 PLACE ± 0.1		APPR: JFMURPHY 2013/03/01		
0 PLACES ±		THIRD ANGLE PROJECTION		
DRAFT WHERE APPLICABLE MUST REMAIN WITHIN DIMENSIONS		DRAWING C-SIZE	SERIES 130023	DOCUMENT NUMBER SD-130023-005
DOCUMENT STATUS P1 RELEASE DATE 2022/10/04 21:40:15		MATERIAL NUMBER SEE TABLE		DOC TYPE PSD
		CUSTOMER GENERAL MARKET		DOC PART 001
		SHEET NUMBER 1 OF 1		REVISION C