

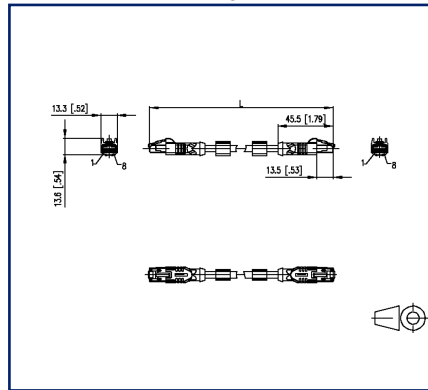
Data sheet

Industry patch cord RJ45 Cat.6A PUR 2.0 m

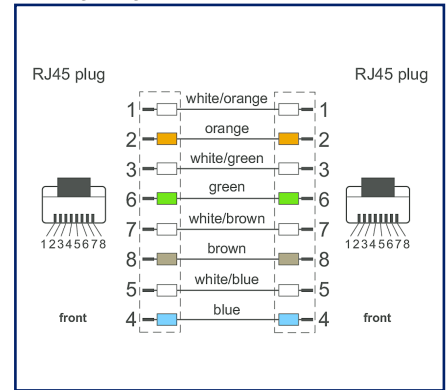
Illustrations



Dimensional drawing



Wiring diagram



See enlarged drawings at the end of document

Product specification

Shielded PUR cable for safe and industrial data transmission in automation and fieldbus technology. The cable fulfils the requirements according to ULStyle 20963 and complies with the specifications according to Cat7 (electrical properties based on EN50288-4-2). The materials and the constructive design allow increased mechanical load (abrasion, bending, vibration, etc.) of the cable. Special properties: UL style 20963, seawater resistant, recyclable, LABS-free, RoHs compliant, acid and alkali resistant, UV-resistant, hydrolysis-resistant, halogen-free, oil-resistant, high flexibility, no corrosive gases, microbe-resistant, no fire propagation

- fully shielded RJ45 patchcord Cat.6A AWG 26/7
- suitable for 10 GBit Ethernet (IEEE 802.3an)
- cable boot moulded with integrated latching lever protection
- cable jacket PUR
- standard variants: 1.0 m, 2.0 m, 5.0 m, 10.0 m
- other cable lengths on request

P | Cabling

Data sheet

Page 2/7

Industry patch cord RJ45 Cat.6A PUR 2.0 m

P/N

142M2X55020

EAN 4251394613246

2023/05/16

Version: G

Technical Data

General Data

Fields of application	Industrial Ethernet harsh environment
Design	Ethernet-Connection line
Shielding	shielded
Transmission technology	Copper
Cable Type	S/FTP
Number of twisting elements	4
Twisting element	Pair
Wiring	T568B
Color coding fiber/ wire(s)	white/orange, orange, white/green, green, white/brown, brown, white/blue, blue
Color	green
Dimensions	
Dimension - Interface 1 (L x W x H)	45.5 mm x 13.3 mm x 13.6 mm
Dimension - Interface 1 (L x W x H)	1.791 in. x 0.524 in. x 0.535 in.
Dimension - Interface 2 (L x W x H)	45.5 mm x 13.3 mm x 13.6 mm
Dimension - Interface 2 (L x W x H)	1.791 in. x 0.524 in. x 0.535 in.
Cable length (m)	2 m
Weight	48 kg/km
Labeling option	identification label carrier

Transmission characteristics

Category (ISO)	6 _A
----------------	----------------

Connections/interfaces

Connector technology interface 1	RJ45 plug
Connector technology interface 2	RJ45 plug
Number of positions/contacts interface 1	8
Number of positions/contacts interface 2	8
Termination data, stranded wire (min. - max.)	
Conductor cross section, stranded wire	AWG 26/7
Conductor diameter, stranded wire (bare copper)	0.48 mm
Conductor diameter, stranded wire (bare copper)	0.019 in.

P | Cabling

Data sheet

Page 3/7

Industry patch cord RJ45 Cat.6A PUR 2.0 m

P/N

142M2X55020

EAN 4251394613246

2023/05/16

Version: G

Technical Data

Connections/interfaces

Cable sheath diameter (min. - max.)

Cable sheath diameter 6.4 mm

Cable sheath diameter 0.236 in.

Electrical characteristics

Current carrying capacity 1 A at 40 °C

Rated voltage 50 V

Insulation resistance min. 100 MOhm

Mechanical data

Life - Number of mating cycles min. 750

Bending radius without load min. 64 mm

Maximum operating bending radius 64 mm

Maximum operating bending radius 2.52 in.

Maximum installation load 32 mm

Maximum installation load 1.26 in.

Shielding braid coverage 70 %

Materials and material properties

Material - Conductor Cu (copper)

Material - Conductor Insulation Foam-Skin Polyethylen

Material - Cable jacket PUR

Material - Body interface 1 Plastics

Material - Body interface 2 Plastics

Material - Contact interface 1 CuZn

Material - Contact interface 2 CuZn

Material - Contact finish interface 1 Au (gold)

Material - Contact finish interface 2 Au (gold)

Material - Contact carriers interface 1 Plastics

Material - Contact carriers interface 2 Plastics

Material - Pair shield plastic film

Material - Pair shield finish Al (Aluminium)

Material - Main shield Cu (copper) braid

Material - Main shield finish Sn (tin)

P | Cabling

Data sheet

Page 4/7

Industry patch cord RJ45 Cat.6A PUR 2.0 m

P/N

142M2X55020

EAN 4251394613246

2023/05/16

Version: G

Technical Data

Materials and material properties

Flame retardancy	according to IEC 60332-1-2
Halogen free	yes
Oil resistance	yes
RoHS	compliant

Environmental conditions

Temperature (min. - max.)	
Temperature - Operating °C	-40 °C - 70 °C
Temperature - Operating °F	-40 °F - 158 °F
Particulate ingress interface 1	IP2X when plugged in
Liquid ingress/immersion interface 1	IPX0 when plugged in
Particulate ingress interface 2	IP2X when plugged in
Liquid ingress/immersion interface 2	IPX0 when plugged in
Pollution degree interface 1	1
Pollution degree interface 2	1

Approvals

UL listed (file no.)	Approval pending
----------------------	------------------

Standards/Regulations

Generic cabling systems	
General requirements	ISO/IEC 11801-1 DIN EN 50173-1
Profinet	yes
Connectors for electronic equipment	
Free and fixed connectors	IEC 60603-7-51
Multi-element metallic cables used in analogue and digital communication and control	DIN EN 50288-4-2
Test for vertical flame propagation for a single insulated wire or cable	IEC 60332-1-2
Measurement of smoke density of cables burning	IEC 61034
Determination of the halogen acid gas content	IEC 60754-1
Insulating and sheathing materials of cables and insulated wire - General test methods	DIN EN 60811-2-1
Copper and copper alloys - Drawn round copper wire for the production of electrical conductors	DIN EN 13602 Cu-ETP-A... DIN EN 13602 Cu-ETP-A...-B

P | Cabling

Data sheet

Page 5/7

Industry patch cord RJ45 Cat.6A PUR 2.0 m

P/N

142M2X55020

EAN 4251394613246

2023/05/16

Version: G

Technical Data

Classifications

ETIM 7.0	EC002599
ETIM 8.0	EC002599
ETIM 9.0	EC002599

Packing details

Type of packaging	1 pc(s) / plastic bag
-------------------	-----------------------



P | Cabling

Data sheet

Industry patch cord RJ45 Cat.6A PUR 2.0 m

Page 6/7

P/N

142M2X55020

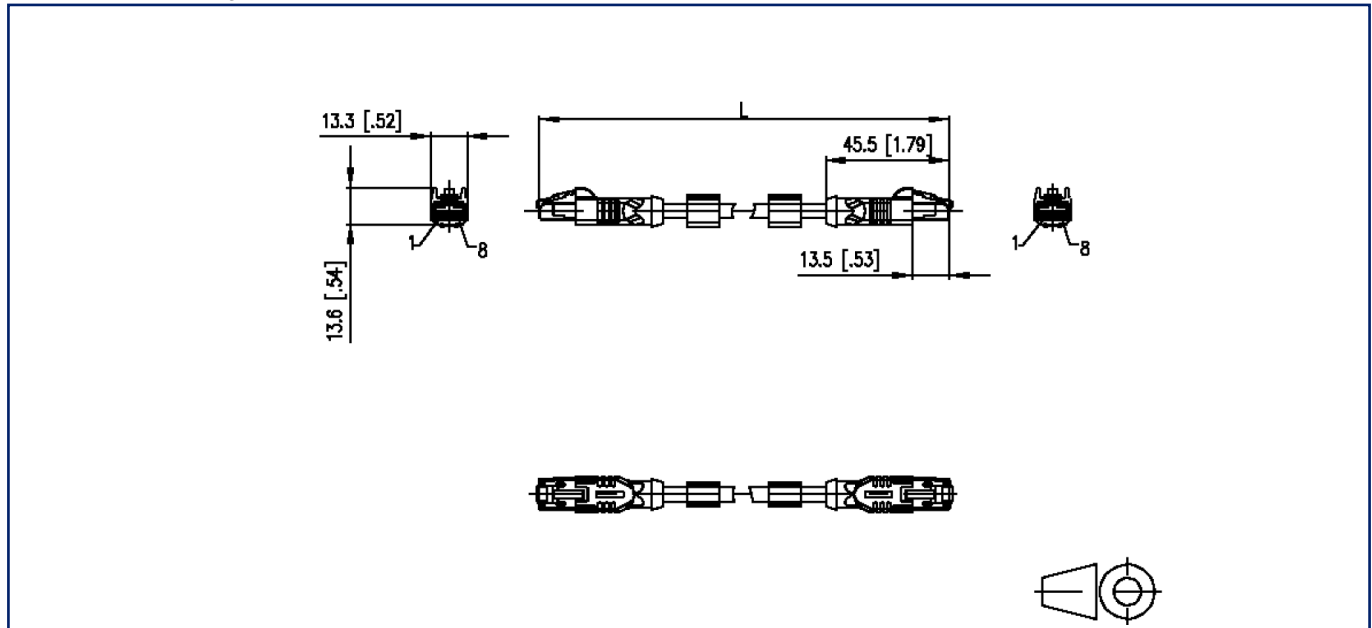
EAN 4251394613246

2023/05/16

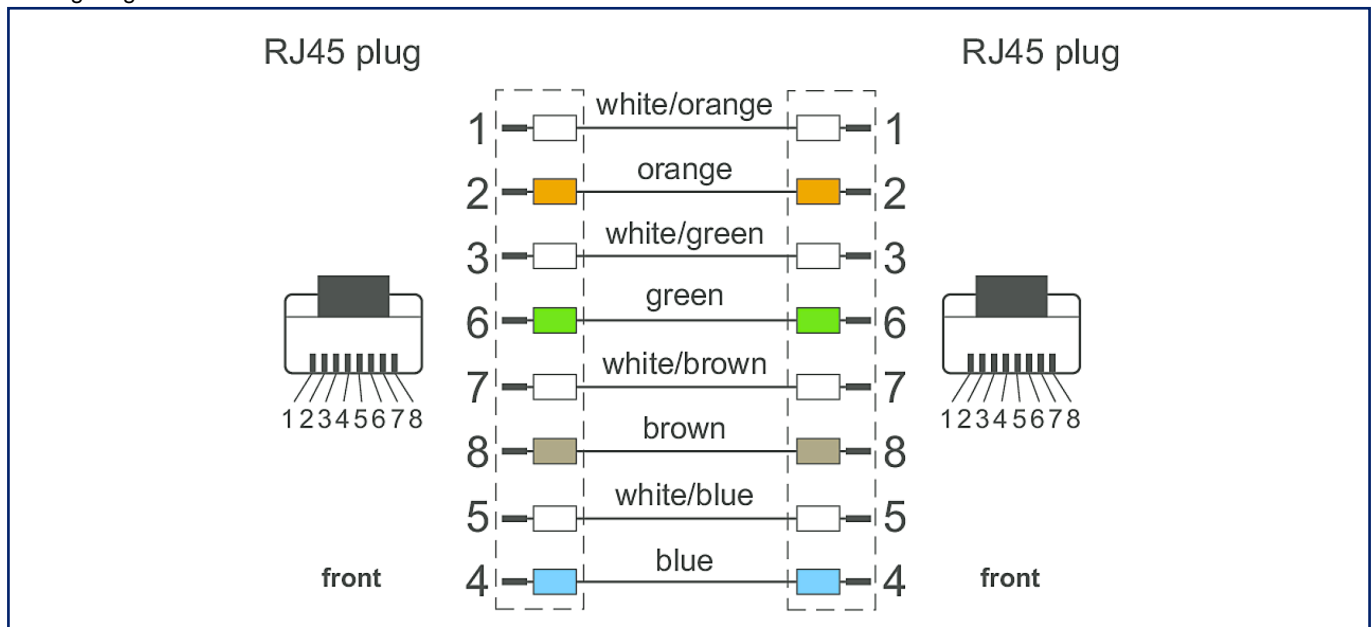
Version: G

Illustrations

Dimensional drawing



Wiring diagram



P | Cabling

Data sheet

Industry patch cord RJ45 Cat.6A PUR 2.0 m

Page 7/7

P/N

142M2X55020

EAN 4251394613246

2023/05/16

Version: G

Illustrations

Principle diagram

