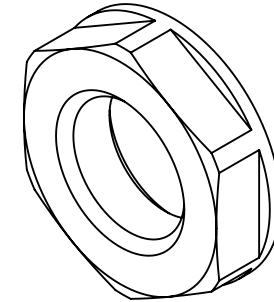
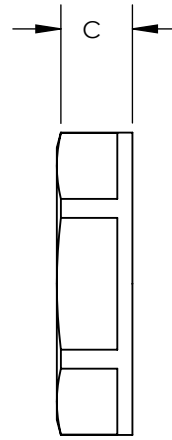
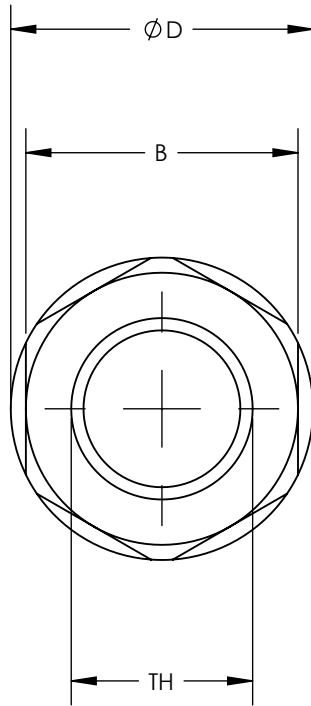


SW2014



Revision level			Revision Record	Changed	Date	Approved	Date
Drawing	State	Part					
00.0	Design Release		SEE ECN# 013585	GRW	10/13/2016	KAC	10/13/2016



Thread Size	HellermannTyton Part Number	Manufacturer Reference Number	Dimensions					
			Wrenching Flats B		Outside Dimensions ØD		Thickness C	
			in.	mm	in.	mm	in.	mm
3/8"	ALPA0380	038-B	1.06	26.9	1.14	29	0.26	6.7
1/2"	ALPA0500	050-B	1.06	26.9	1.14	29	0.26	6.7
3/4"	ALPA0750	075-B	1.31	33.3	1.41	36	0.26	6.7
1.0"	ALPA1000	100-B	1.61	40.8	1.81	46	0.26	6.7

Material  
PA66

Units: **inches**  
 Dimension without tolerances details to:  
 .xxxx = ±.0005  
 .xxx = ±.005  
 .xx = ±.01  
 .x = ±.03  
 None = ±.06  
 < = ±0.5°  
 Dimension Formatted in/[mm]

The copyright of this drawing is reserved by HellermannTyton. It is issued on condition that it is not reproduced, copied, or disclosed to a third party, either wholly or in part, without the consent of HellermannTyton.

Drawn GRW 10/13/2016  
 Approved KAC 10/13/2016  
**HellermannTyton**  
 North America  
 Email: corp@htamericas.com  
 Web: www.hellermann.tyton.com

Article/Type-No ALPA SERIES  
 Title **HELAGUARD ALPA NYLON LOCKNUT NPT THREAD**  
 Drawing-No PRODUCTION : Phase  
**15-0407-001-CSU**

Scale 2:1  
 Project Number PRP 15-0407  
 Format AH  
 Sheet 1/1