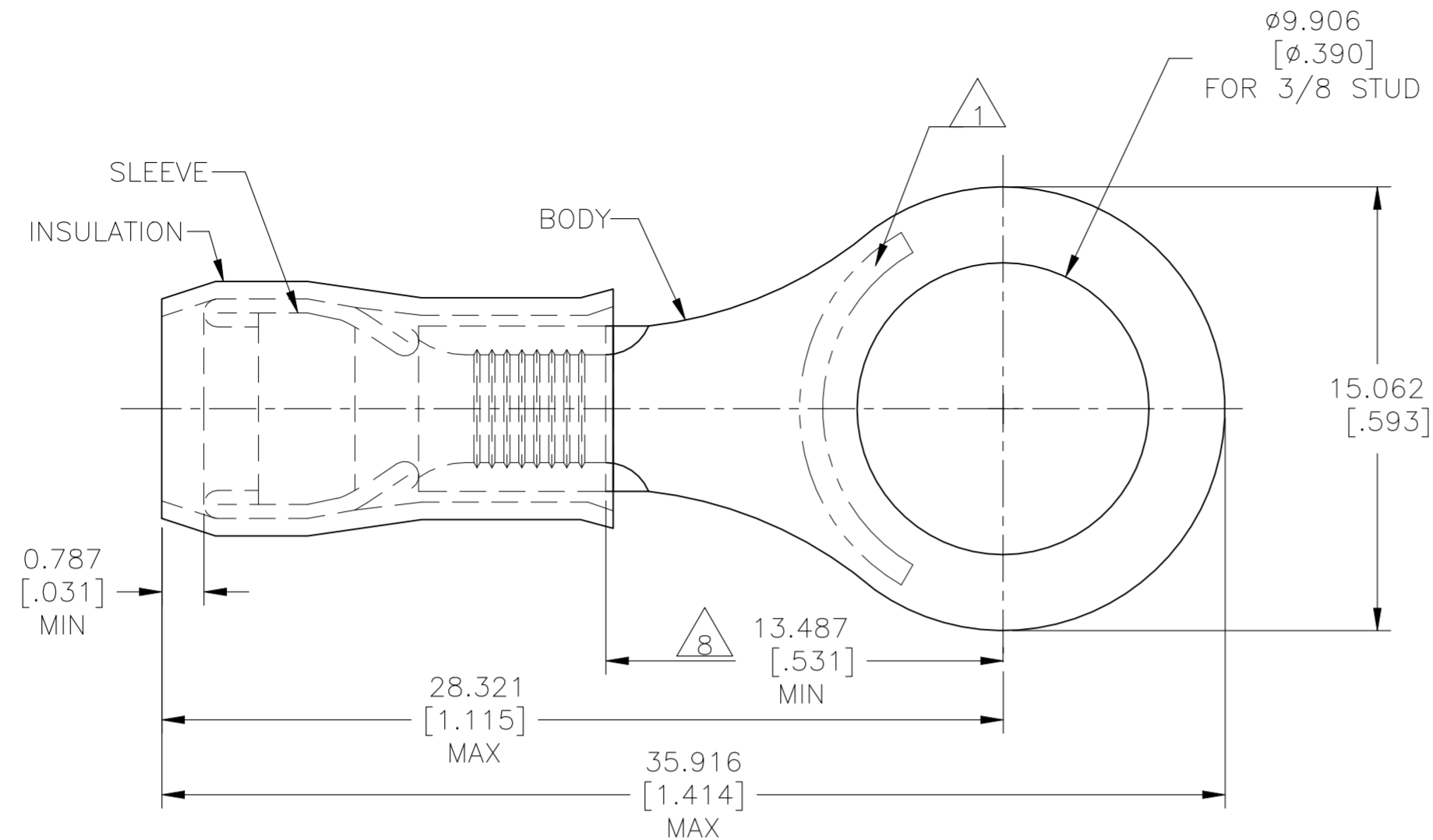
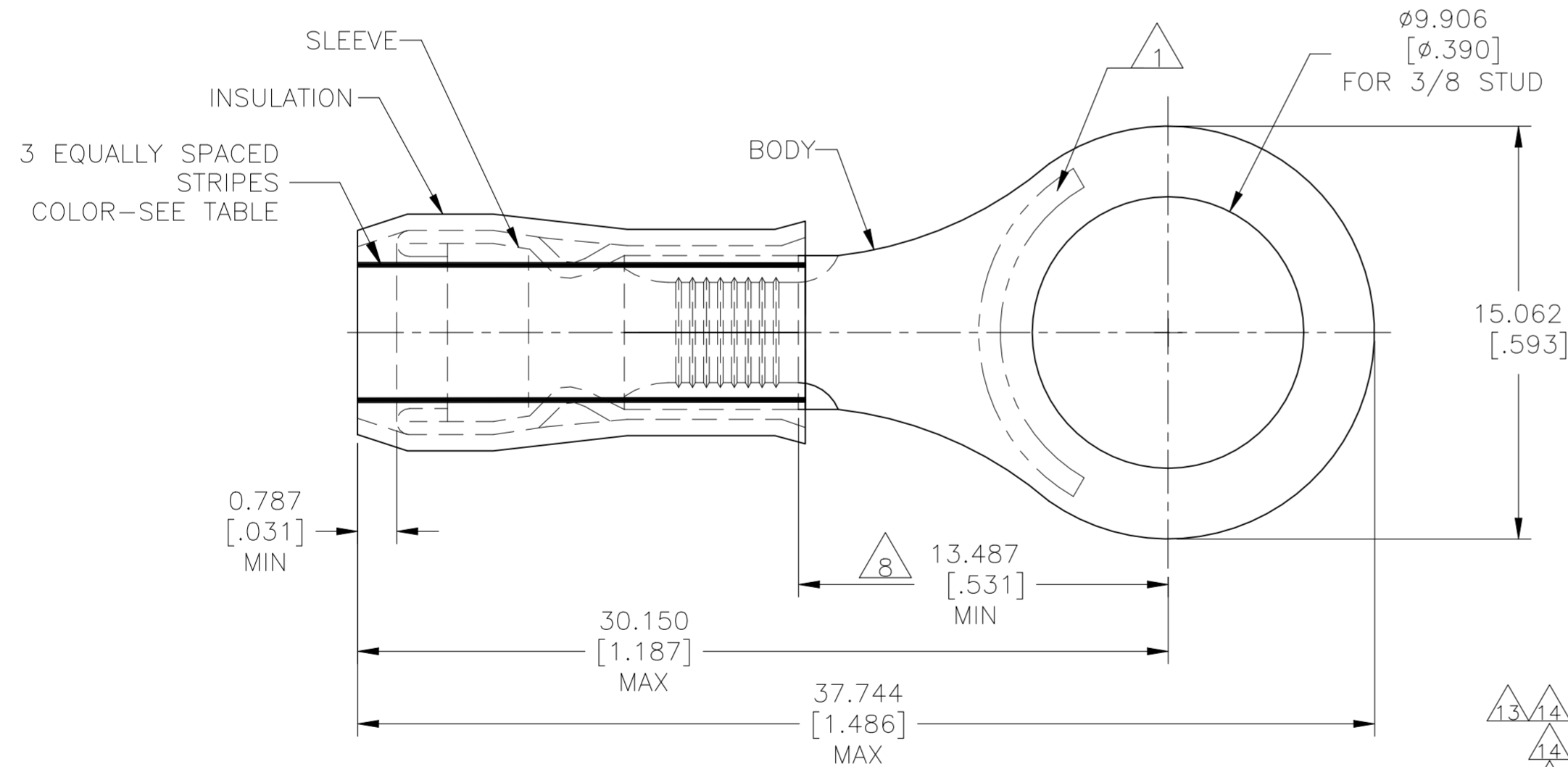


REVISIONS					
P	LTR	DESCRIPTION	DATE	DWN	APVD
P4		REVISED PER ECN-22-156403	03JUN2022	RK	CSD



STYLE "A"



STYLE "B"  
INSULATION RESTRICTING

<b>AMP</b> WIRE RANGE	Listed FILE E13288	LR7189 Certified
12-10 AWG SOLID OR STRANDED IR: STRANDED	12-10 AWG STRANDED $\Delta 13$	12-10 AWG SOLID OR STRANDED IR: STRANDED $\Delta 14$

- $\Delta 1$  STAMP "AMP - SEE TABLE" APPROX AS SHOWN
- 2 WIRE INSULATION DIA: SEE TABLE.
- 3 BODY MATERIAL THK: 1.016±0.051[.040±.002]
- $\Delta 4$  FINISH:  
BODY: TIN PLATE 0.00254[.000100] MIN EXT THK PER ASTM B545.  
INSULATION: COLOR-YELLOW.
- $\Delta 5$  FINISH:  
SLEEVE: TIN PLATE 0.00254[.000100] MIN EXT THK PER ASTM B545.  
INSULATION: COLOR-YELLOW.
- $\Delta 6$  FINISH:  
SLEEVE: NICKEL PLATE PER QQ-N-290.  
INSULATION: COLOR-YELLOW.
- $\Delta 7$  MATERIAL:  
BODY & SLEEVE- CU PER ASTM B152  
INSULATION - NYLON PER ASTM D4066.
- $\Delta 8$  APPLIES FROM EDGE OF METAL WIRE BARREL  
TO CENTER OF STUD HOLE.
- $\Delta 9$  MEETS MS25036-114, CLASS 1.
- 10 NOTE DELETED
- $\Delta 11$  MEETS M7928/1-61, CLASS 1.
- $\Delta 12$  MEETS M7928/1-68, CLASS 1.
- $\Delta 13$  UL LISTED
- $\Delta 14$  CSA CERTIFIED

QTY	PACKAGE TYPE	STAMPING	WIRE INSUL DIA	WIRE SIZE	STRIPE COLOR	STYLE	BODY FINISH	SLEEVE FINISH	PART NO
$\Delta 13 \Delta 14$ 1000	ON TAPE & REEL	12-10*	$\phi 3.810-5.842[\phi.150-.230]$	12-10	---	"A"	$\Delta 5$	$\Delta 5$	2-320577-3
$\Delta 14$ 500	LOOSE PIECE	10*	$\phi 3.027-5.100[\phi.119-.200]$	10	BROWN	"B"	$\Delta 4$	$\Delta 6$	2-320577-2
$\Delta 14$ 500	LOOSE PIECE	12*	$\phi 2.413-5.100[\phi.095-.200]$	12	YELLOW	"B"	$\Delta 4$	$\Delta 6$	2-320577-1
$\Delta 13 \Delta 14$ 500	LOOSE PIECE	12-10*	$\phi 3.810-5.842[\phi.150-.230]$	12-10	---	"A"	$\Delta 4$	$\Delta 5$	320577

<b>CUSTOMER SERVICE SYSTEMS</b>		MAX RECOMMENDED OPERATING TEMPERATURE: 105°C[221°F] MAX		THIS DRAWING IS A CONTROLLED DOCUMENT.		DWN JR RUTH 23DEC09		TE Connectivity	
FOR ADDITIONAL PRODUCT INFORMATION OR COPIES OF DRAWINGS AND TECHNICAL DOCUMENTS	PRODUCT INFORMATION CENTER 1-800-522-6752	VOLTAGE RATING: 300 VOLT MAX	DIMENSIONS: mm [INCHES]		TOLERANCES UNLESS OTHERWISE SPECIFIED: 0 PLC ± - 1 PLC ± - 2 PLC ± - 3 PLC ± 0.127[.005] 4 PLC ± - ANGLES ± -		CHK T MICHIELUTTI 23DEC09		NAME UL 486 A-B $\Delta 13$
FOR APPLICATION TOOLING INFORMATION	TOOLING ASSISTANCE CENTER 1-800-722-1111	CIRCULAR MIL AREA: 2.62-6.64mm²[5,180-13,100] STRANDED OR SOLID			APVD T MICHIELUTTI 23DEC09		PRODUCT SPEC		
FOR ORDER ENTRY	1-800-526-5142		MATERIAL $\Delta 7$		FINISH $\Delta 4 \Delta 5 \Delta 6$		APPLICATION SPEC 114-2157		SIZE A2
						WEIGHT -		CAGE CODE 00779	
						CUSTOMER DRAWING		DRAWING NO C-320577	
						SCALE 5:1		SHEET 1 of 1	
						REV P4		RESTRICTED TO -	