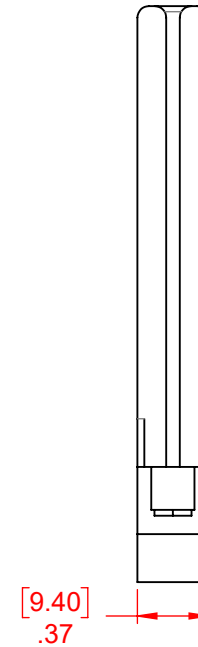
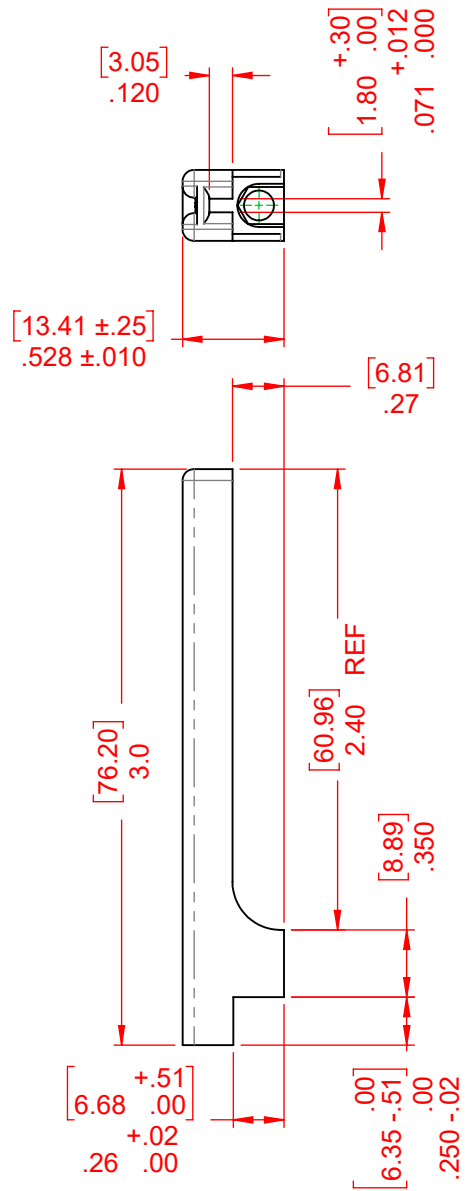


TOLERANCE UNLESS OTHERWISE SPECIFIED	
.X	±.035
.XX	±.010
.XXX	±.005

THIS IS A C.A.D. GENERATED DRAWING
DO NOT MAKE MANUAL REVISIONS TO MASTER.



ISSUE NUMBER	
ORIGINAL	①



NOTE:
MATERIAL: THERMOPLASTIC POLYESTER, GREEN IN COLOR, UL94V-0



THIS SERIES FULLY CONFORMS TO
THE EUROPEAN UNION DIRECTIVES
2011/65/EU FOR RoHS COMPLIANCY.



YOUR CONNECTION TO QUALITY & SERVICE

EDAC INC
TORONTO, ONTARIO
CANADA

THESE DRAWINGS AND SPECIFICATIONS
ARE THE PROPERTY OF EDAC INC., AND
SHALL NOT BE REPRODUCED, OR COPIED
OR USED AS THE BASIS FOR THE
MANUFACTURE OR SALE OF APPARATUS
WITHOUT WRITTEN PERMISSION.

.468" OFFSET CARD GUIDE		ACAD REFERENCE NO.: 346-220-058	
		DRAWN: F. JAWDI	DATE: JAN, 27/2003
CHECKED:	DATE:	SCALE: 1:1	SHEET 1 OF 1
DRAWING NUMBER: 346-220-058		ISSUE	
PART NUMBER: 346-220-058		9	