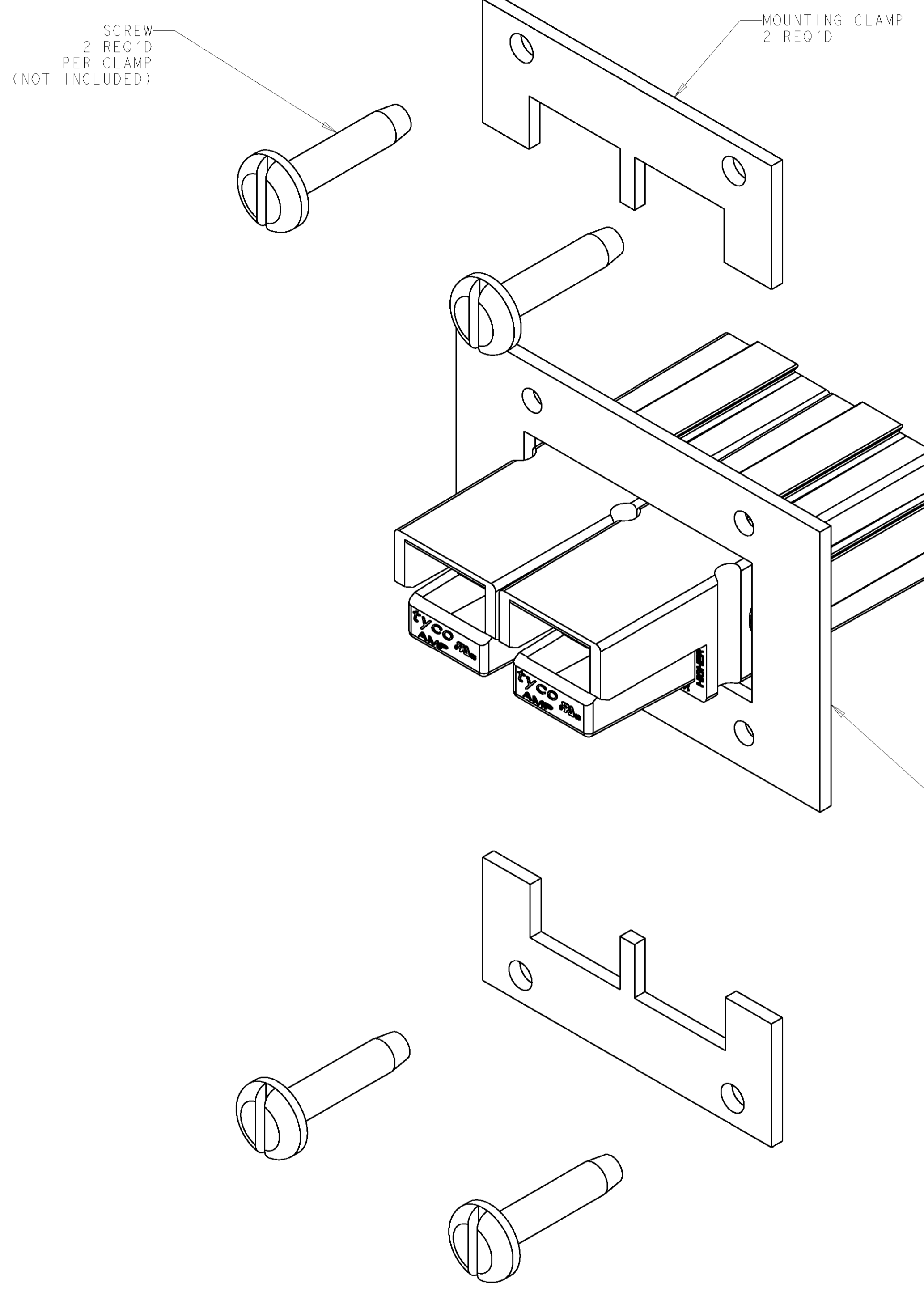
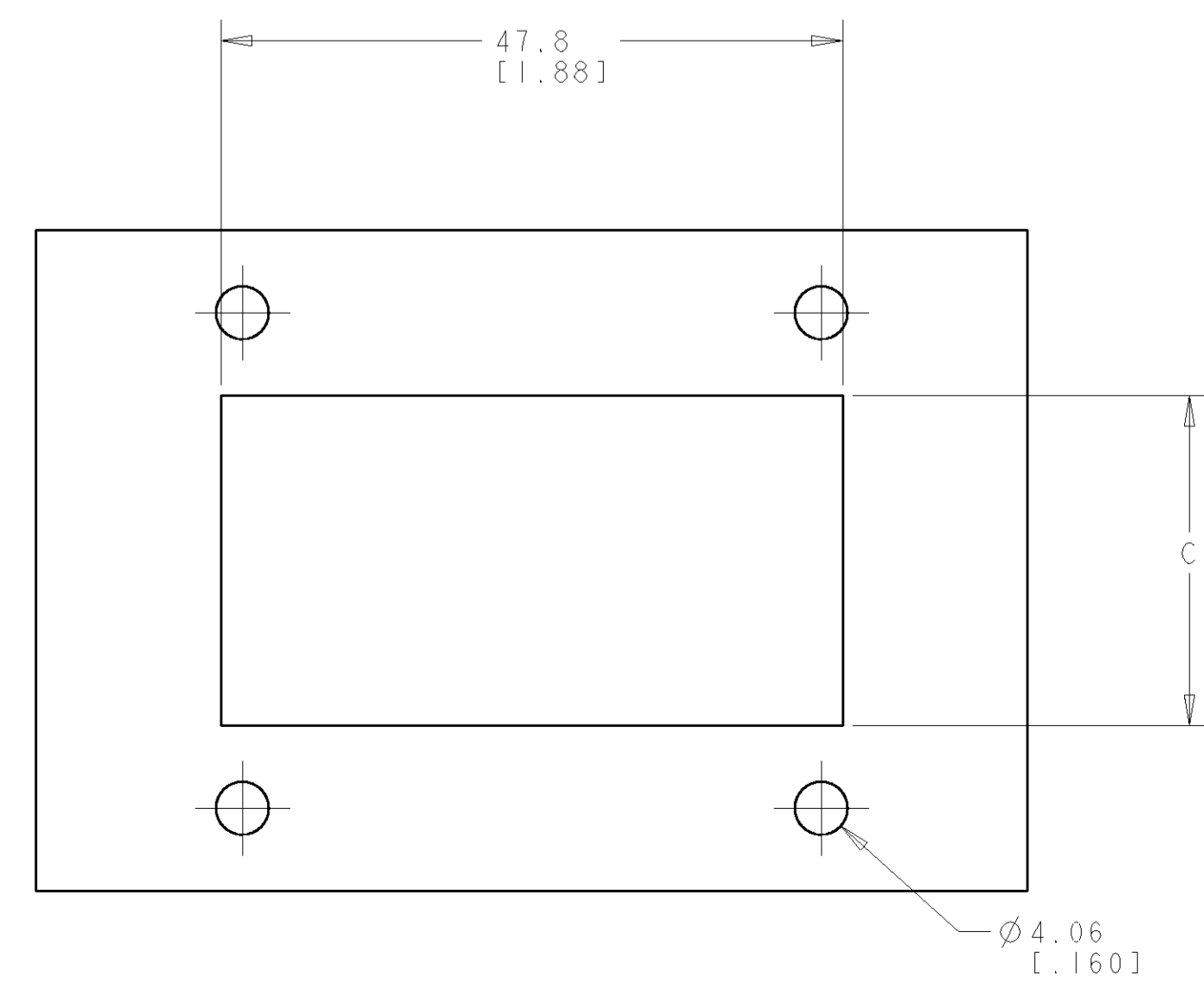
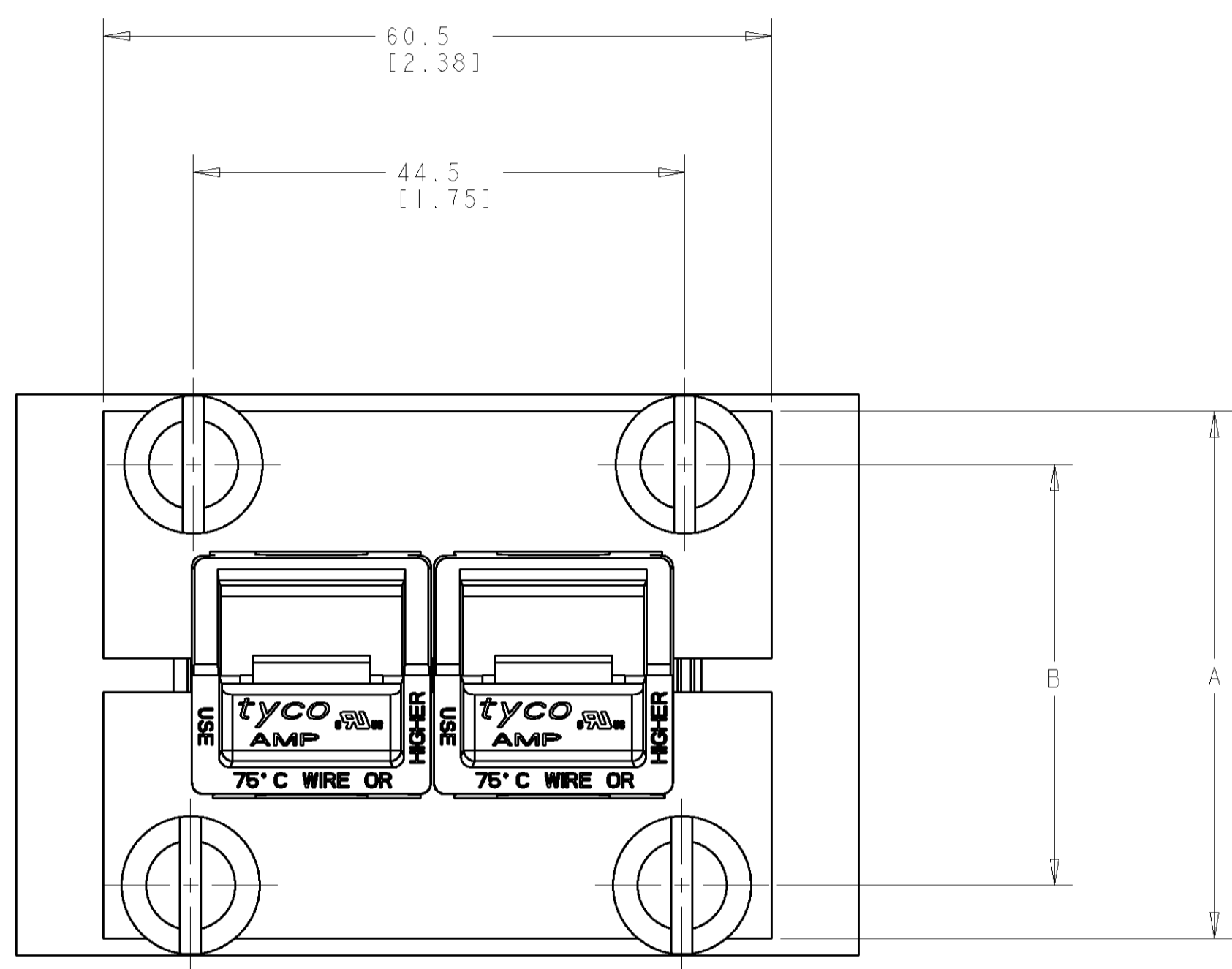


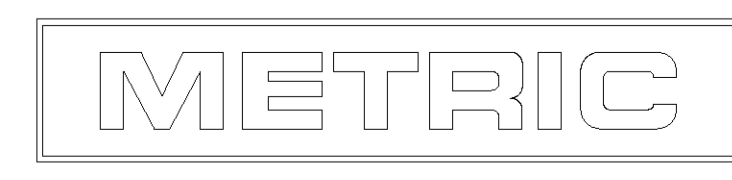
LOC		DIST		REVISIONS			
CM	00	P	LTR	DESCRIPTION	DATE	DWN	APVD
		1		PRE-RELEASED	15JAN2003	KW	JE
		0		REVISED PER 0638-0595-03	16JAN06	KW	JE



1. MOUNTING CLAMPS SOLD IN PAIRS, SCREWS NOT INCLUDED.

47.8 [1.88]	38.1 [1.50]	70.1 [2.76]	4
25.4 [1.00]	60.5 [2.38]	47.8 [1.88]	2
C	B	A	NO OF POLES

1 BOX	647721-2
1 PAIR	647721-1
QTY / UNIT OF MEASUREMENT	PART NUMBER



<small>THE DIMENSIONS TO WHICH THIS DRAWING IS SUBJECT TO CHANGE WITHOUT NOTICE AND WITHOUT LIABILITY TO THE CUSTOMER. THE CUSTOMER SHALL BE RESPONSIBLE FOR VERIFYING THE DIMENSIONS OF THE PARTS TO BE USED IN HIS APPLICATION.</small>		DWN: B. WHITAKER 15JAN2003 ENR: J. ELLIS 15JAN2003 APVD: J. ELLIS 15JAN2003	<b>tyco</b> Electronics Tyco Electronics Harrisburg, PA 17105-3608
DIMENSIONS: mm [INCHES]	TOLERANCES UNLESS OTHERWISE SPECIFIED: 0 PLC ± 1 PLC ±0.5 [0.02] 2 PLC ± 3 PLC ± 4 PLC ± ANGLES ±	NAME: AMP POWER SERIES 120, MOUNTING CLAMP, 2 AND 4 POLE PRODUCT SPEC: APPLICATION SPEC: WEIGHT:	SIZE: A1 CAGE CODE: 00779 DRAWING NO: 647721 RESTRICTED TO:
MATERIAL: AL 2.3 [0.09] THK FINISH:	CUSTOMER DRAWING	SCALE: 2:1 SHEET: 1 OF 1 REV: 0	DATE: 15JAN2003 DWN: KW APVD: JE