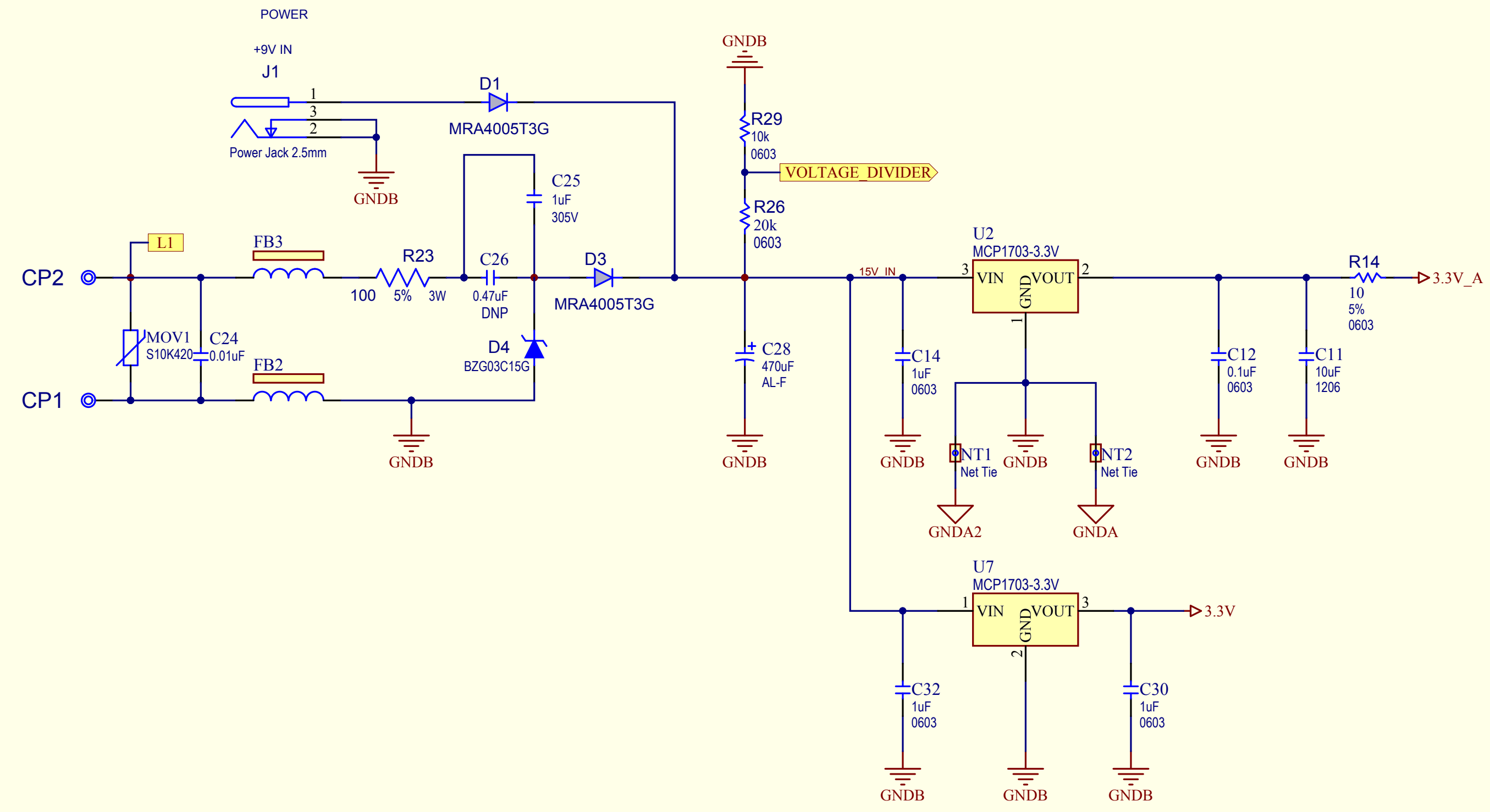
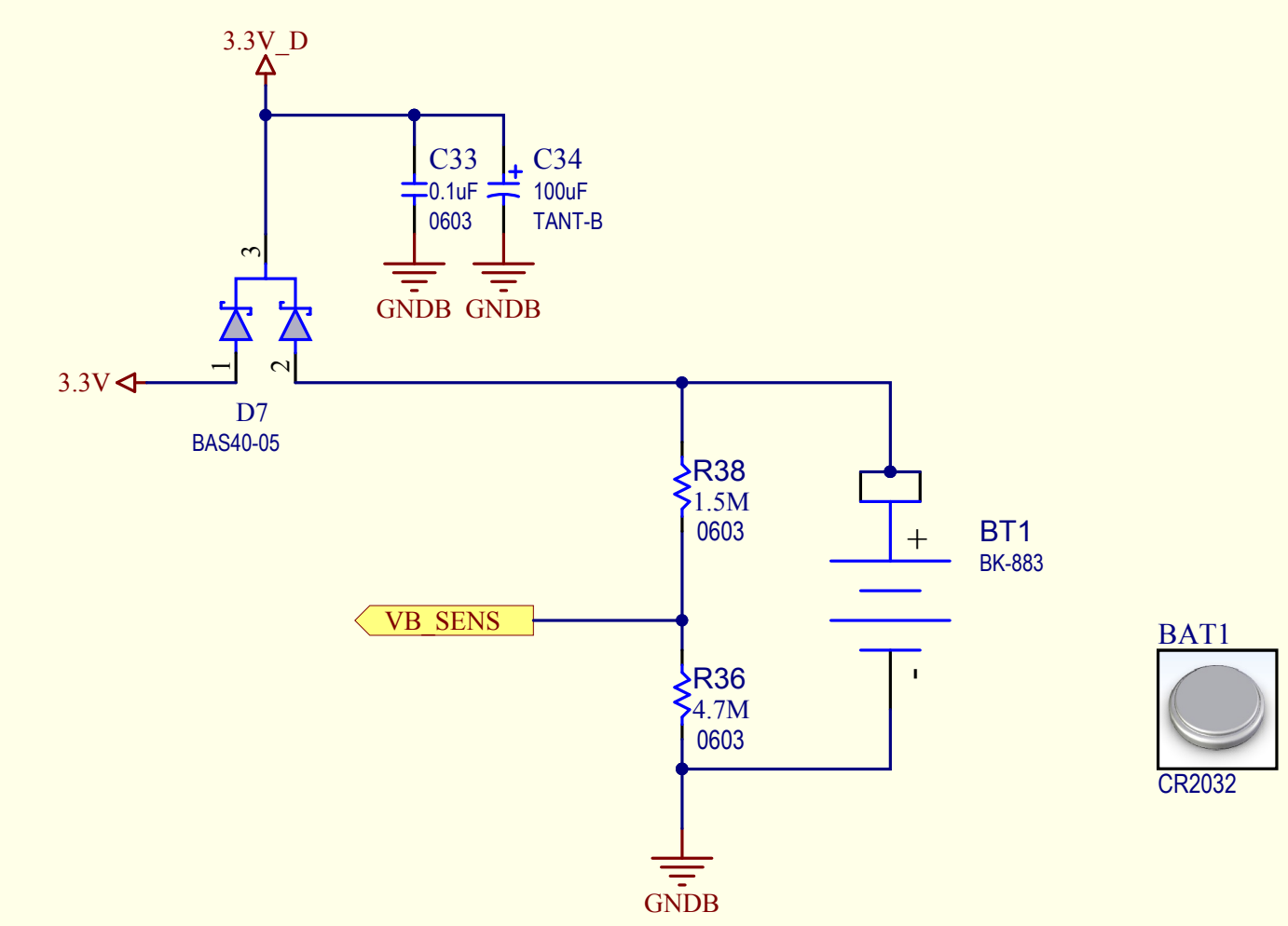
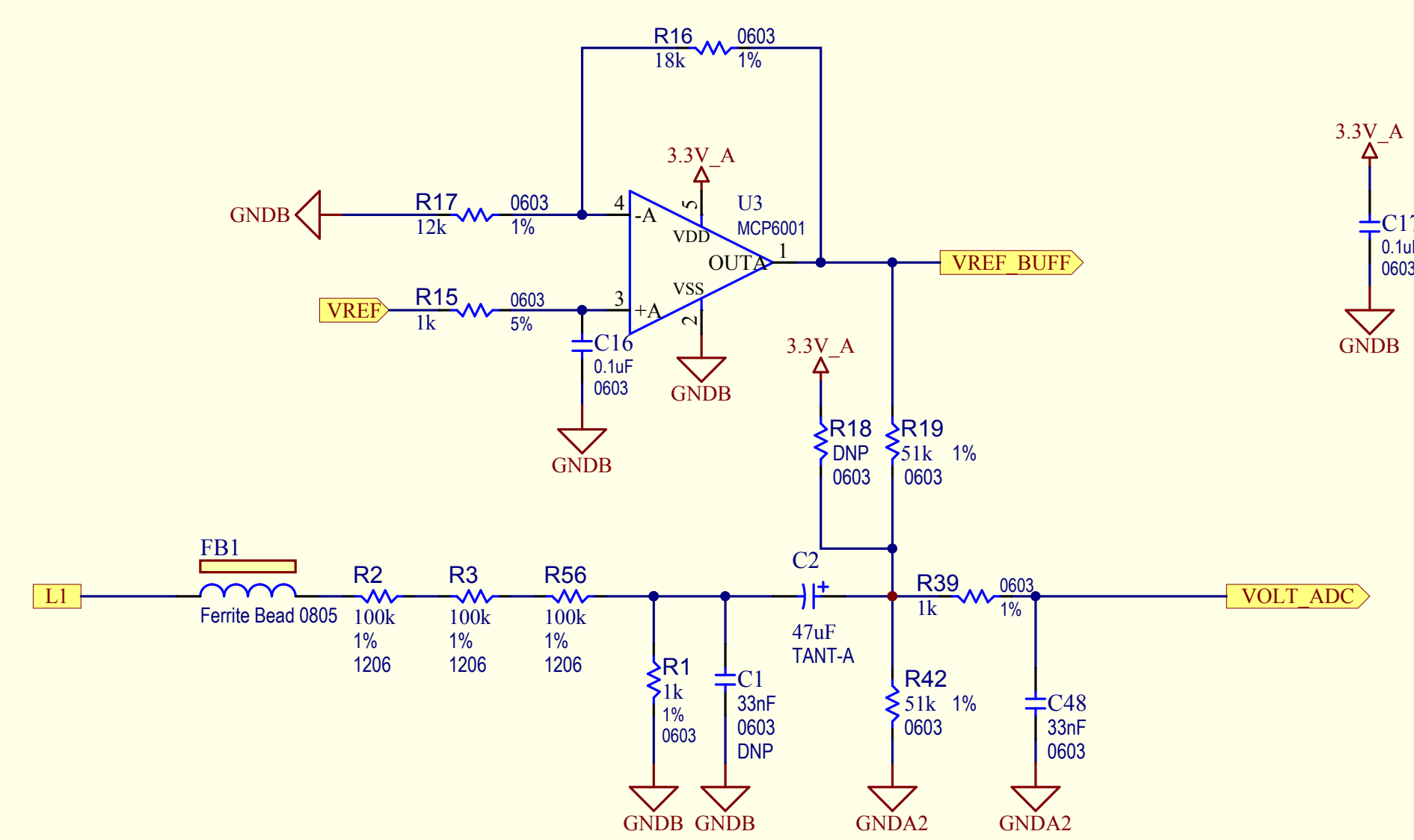


Revision History				
Rev.	ECO	Description	Date	Approved
2		Removed LCD Backlight power Changed: R26 to 20k ; R18, R19, R42 to 51k C2 to 47uF ; D7 to a lower reverse current	11-06-2012	
3		Changed R16 to 18k Corrected D4 position	30-07-2012	
4		C26 -> DNP; C25 -> Populated R23 changed from 470 to 100 Ohm	03-12-2012	



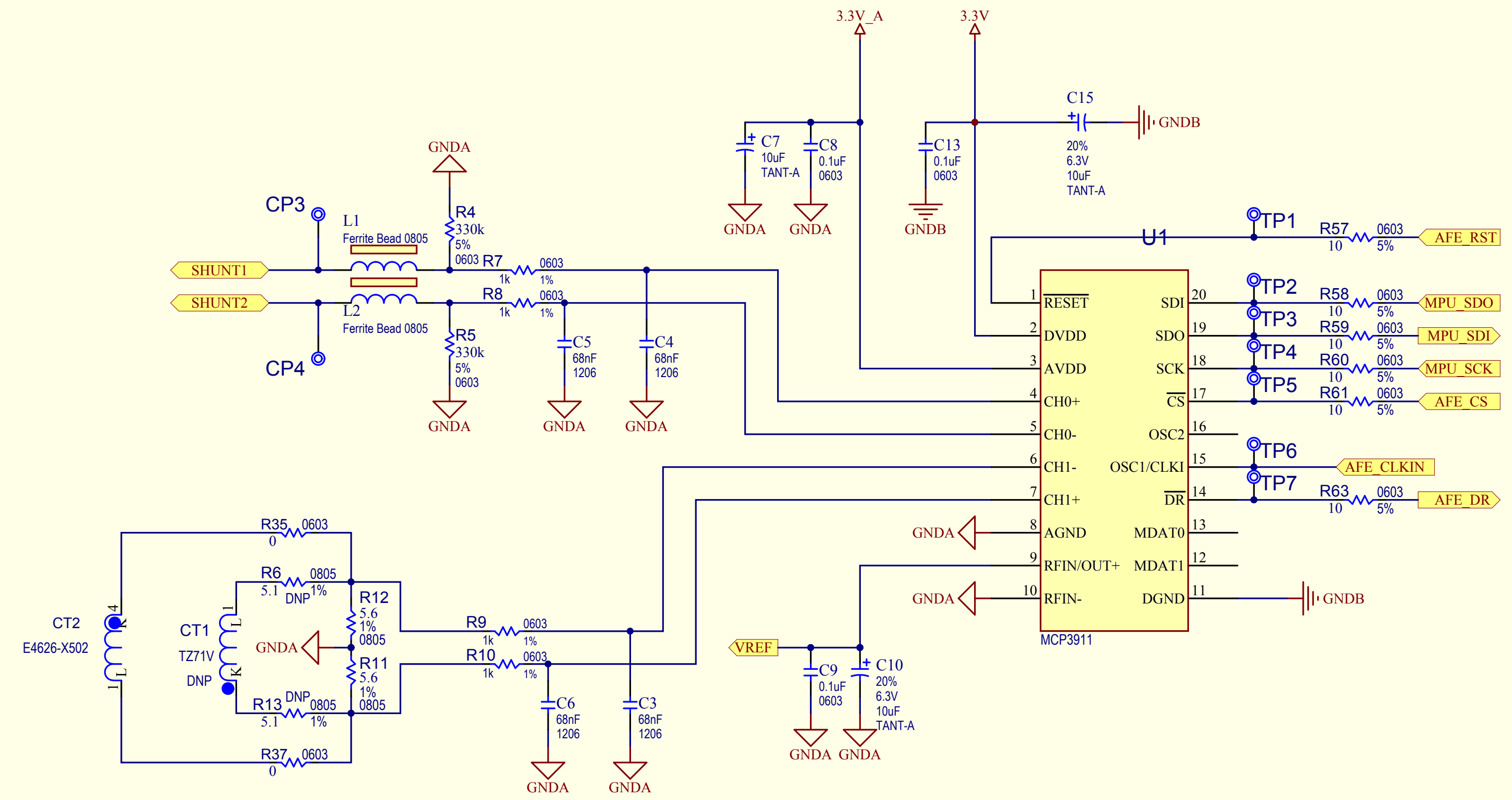
Drawn	Adrian Mot	Date	30-07-2012
Checked		Date	
Approved		Date	
Approved		Date	
Approved		Date	

MICROCHIP

Title
Single Phase Anti-Tamper Energy Meter

Size	Doc. Number	Rev.
B	102-00385	4

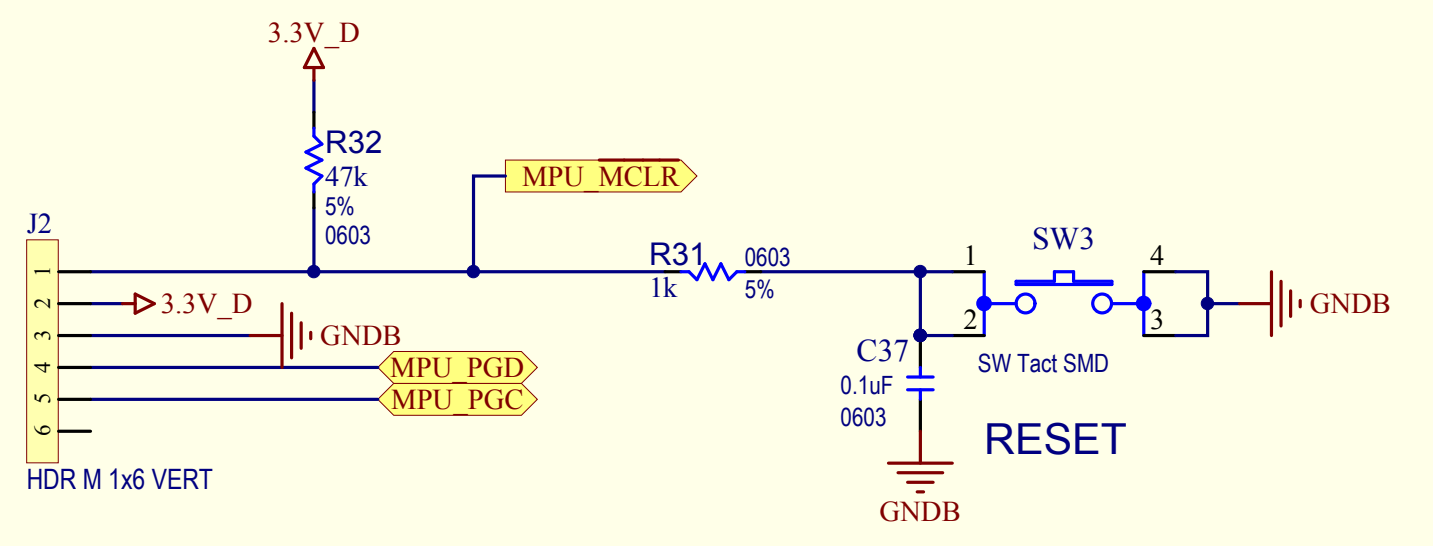
Revision History				
Rev.	ECO	Description	Date	Approved
2		Added CT2	30-07-2012	
4		CT1->DNP; CT2 ->Populated	03-12-2012	



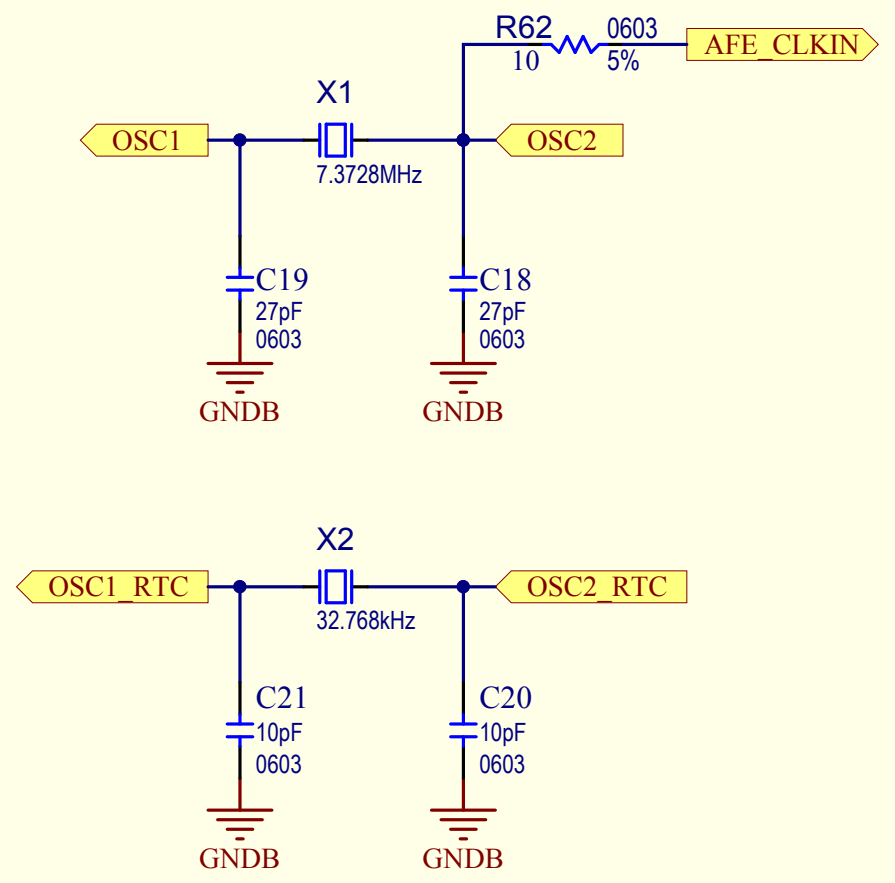
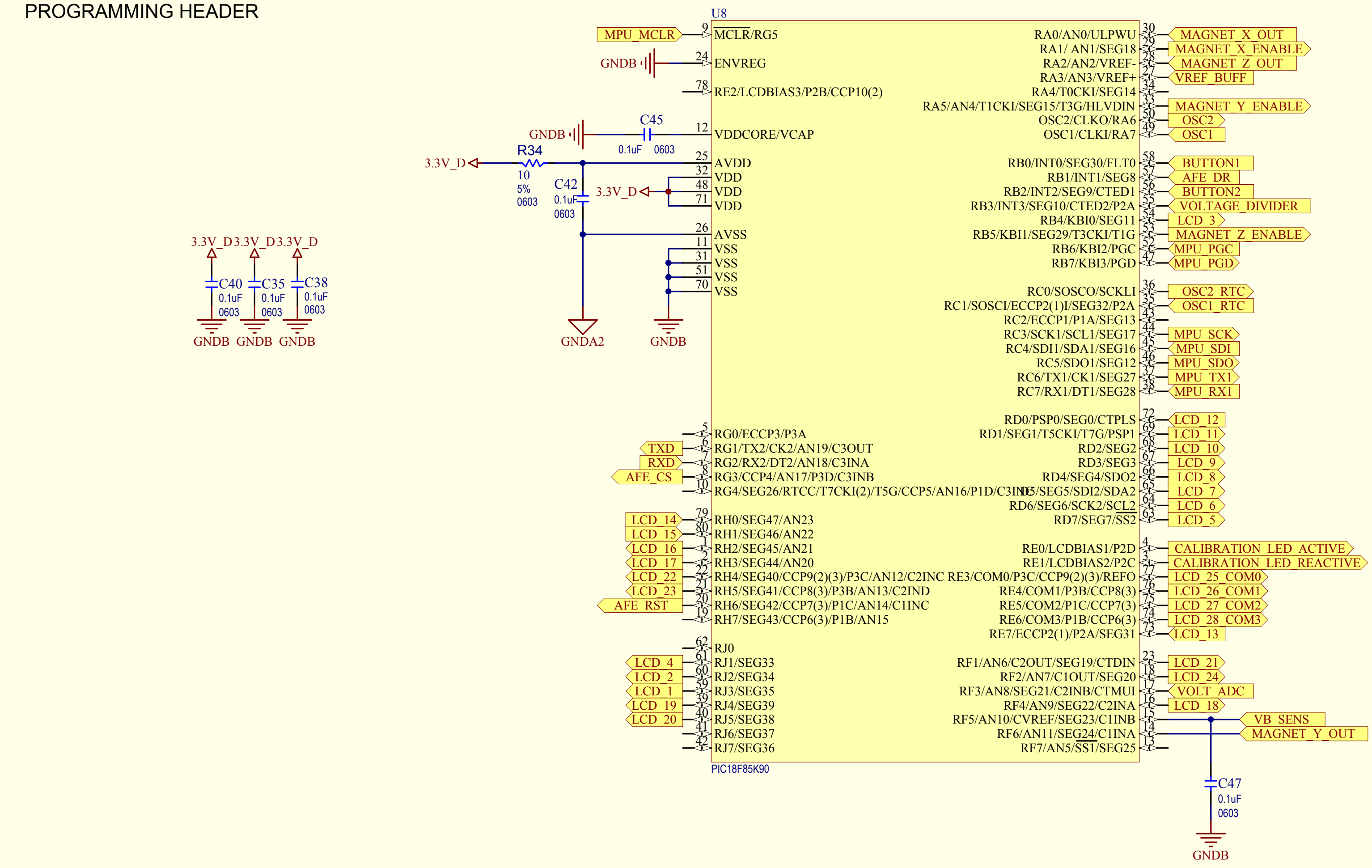
Drawn	Adrian Mot	Date	21-11-2011
Checked		Date	
Approved		Date	
Approved		Date	
Approved		Date	

Title		
Single Phase Anti-Tamper Energy Meter		
Size	Doc. Number	Rev.
B	102-00385	4

Revision History				
Rev.	ECO	Description	Date	Approved
2		Removed Calibration Jumper	11-06-2012	



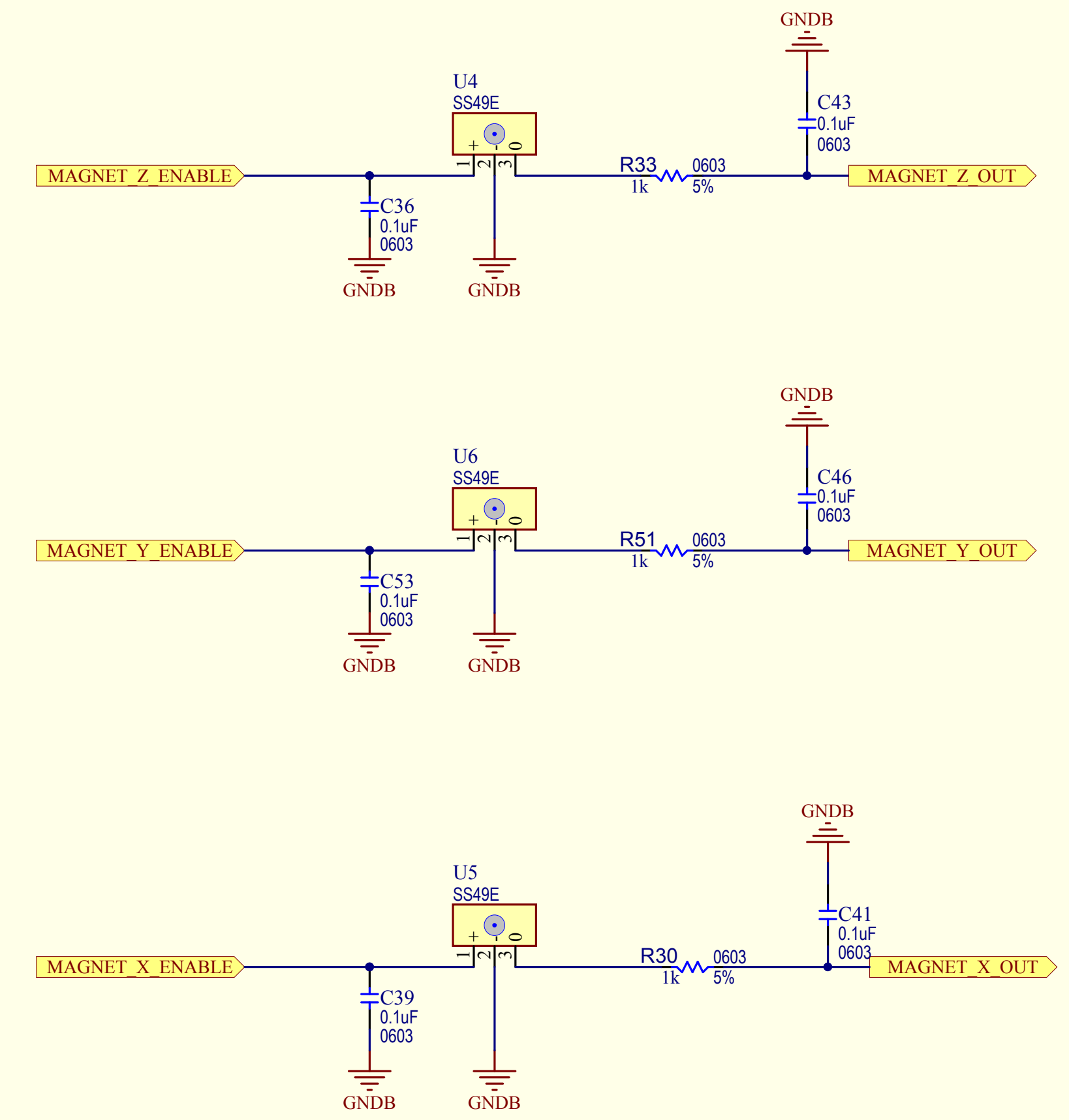
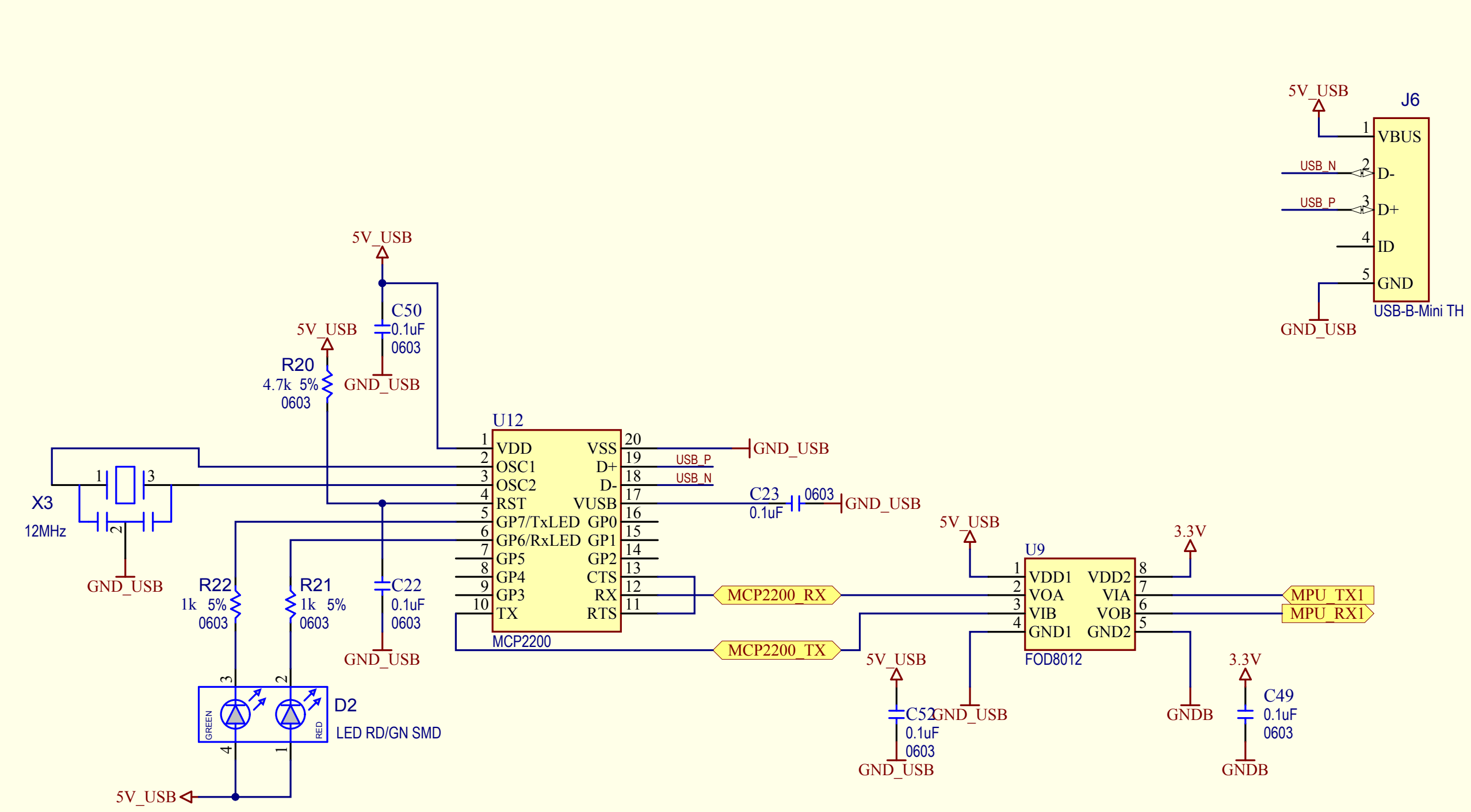
IN CIRCUIT DEBUG /
PROGRAMMING HEADER



Title		Single Phase Anti-Tamper Energy Meter	
Size	Doc. Number	Rev.	
B	102-00385	2	

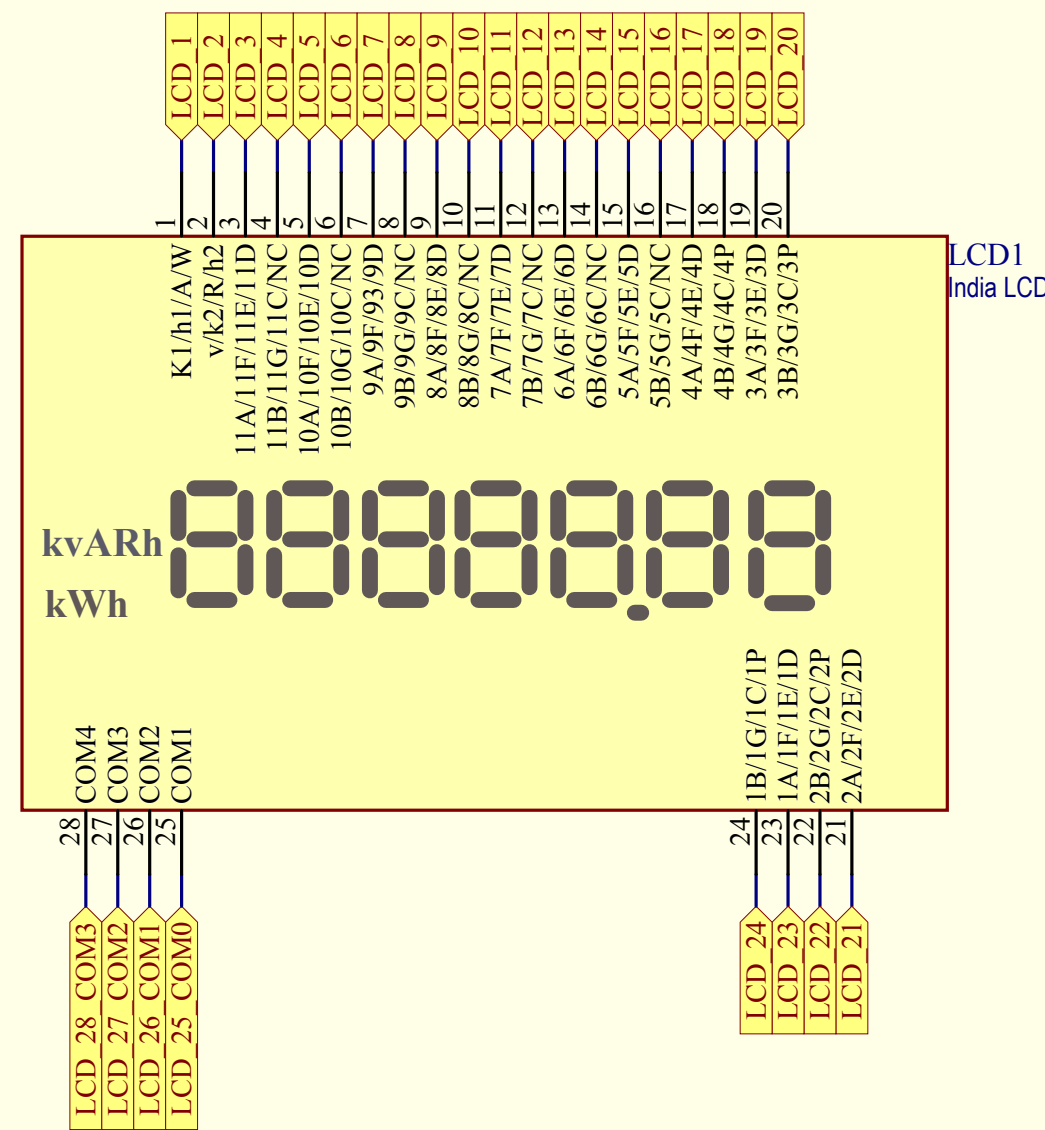
Drawn	Adrian Mot	Date	21-11-2011
Checked		Date	
Approved		Date	
Approved		Date	
Approved		Date	

Revision History				
Rev.	ECO	Description	Date	Approved
4		Changed U9 to FOD8012 for magnetic tolerance	12-04-2012	

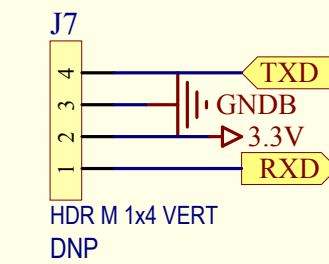
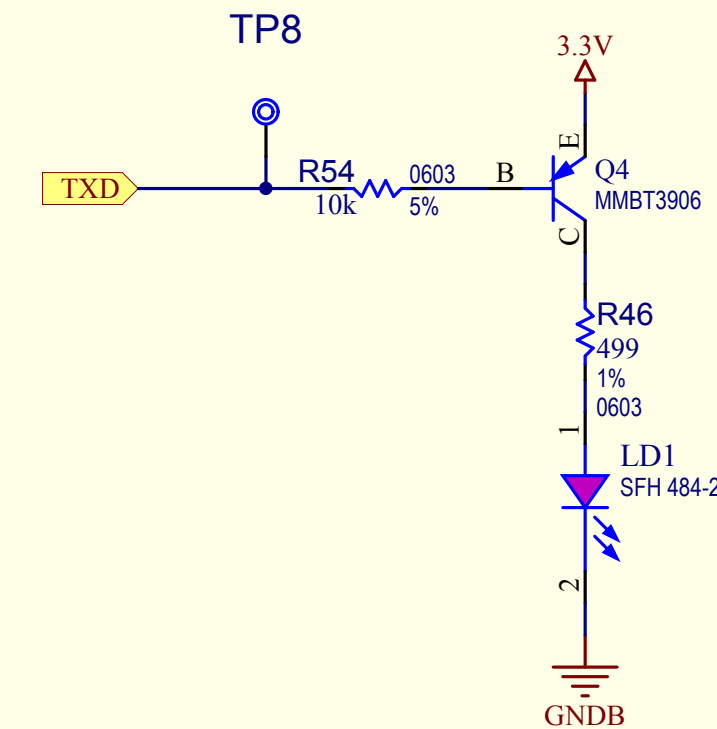
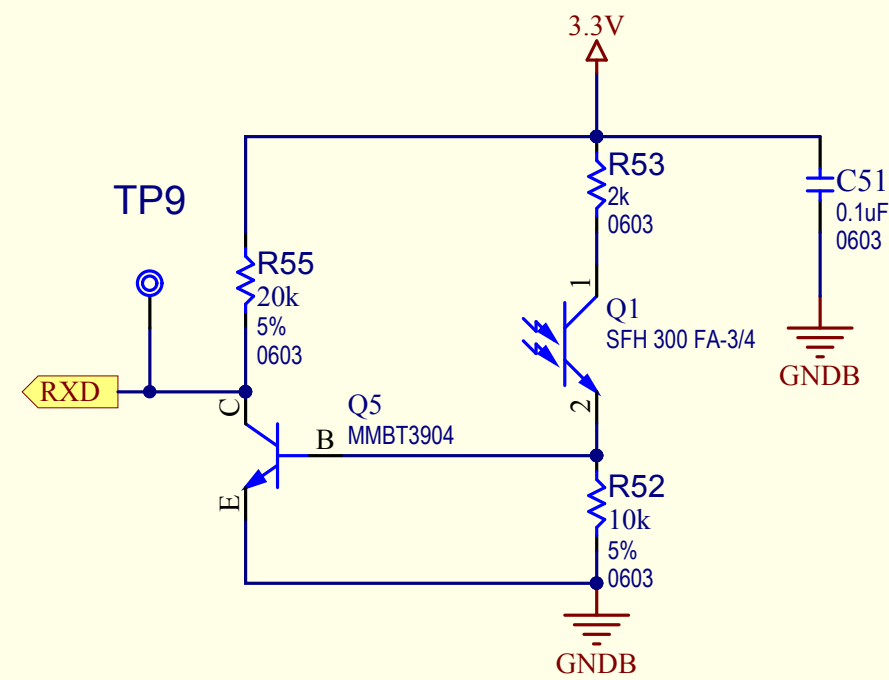
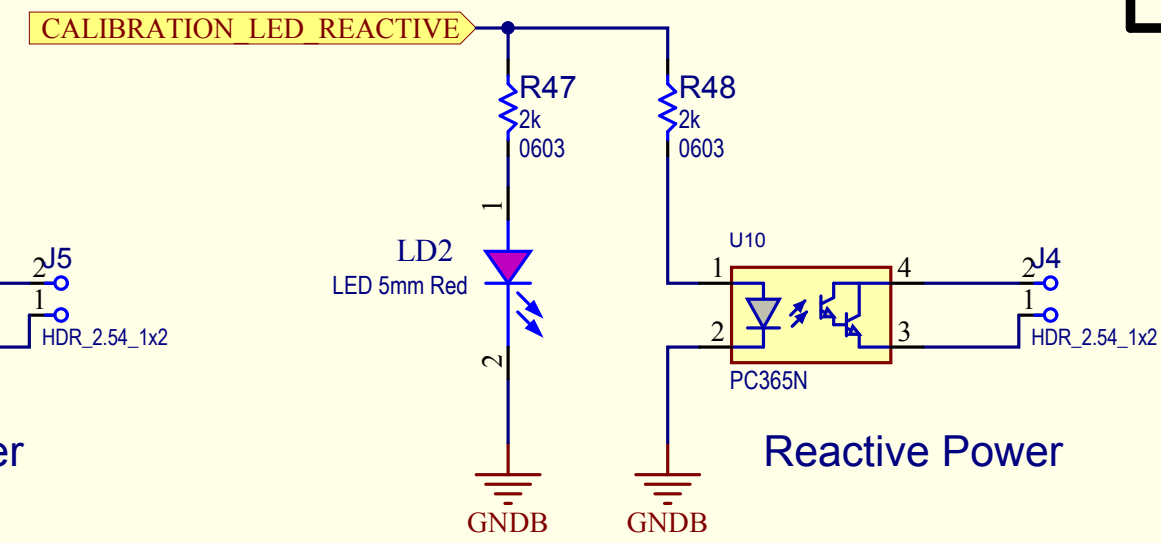
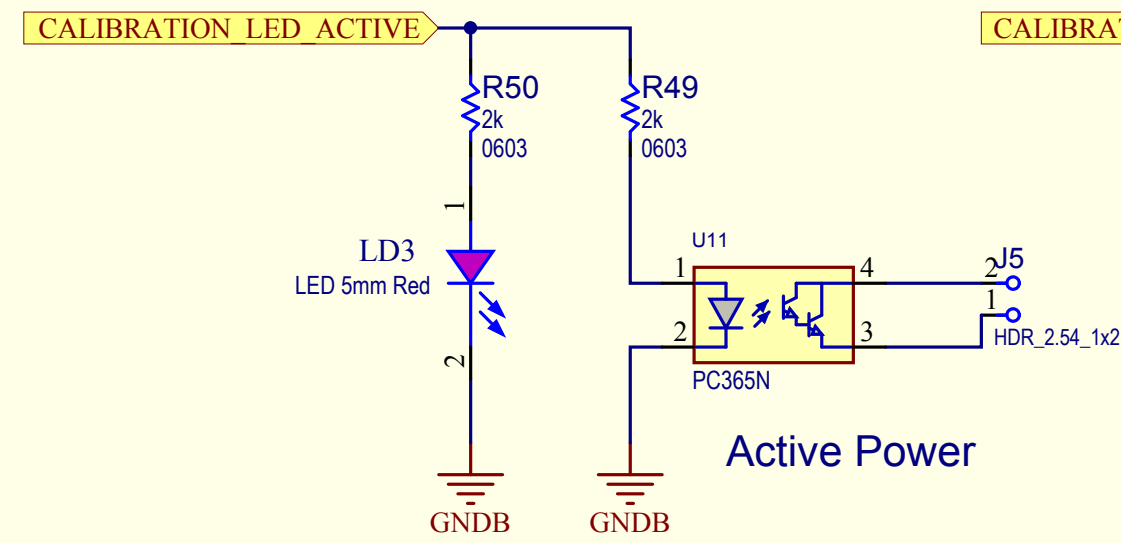


Drawn	Adrian Mot	Date	21-11-2011
Checked		Date	
Approved		Date	
Approved		Date	
Approved		Date	

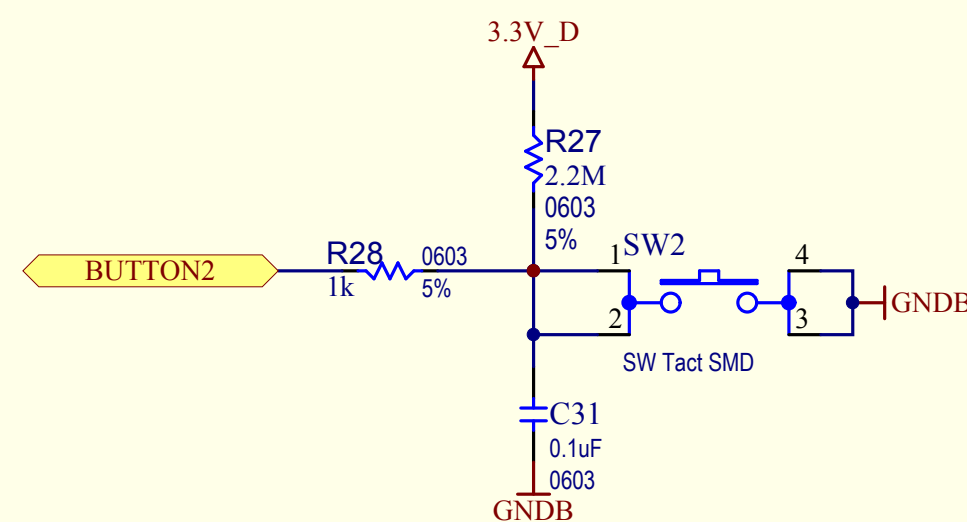
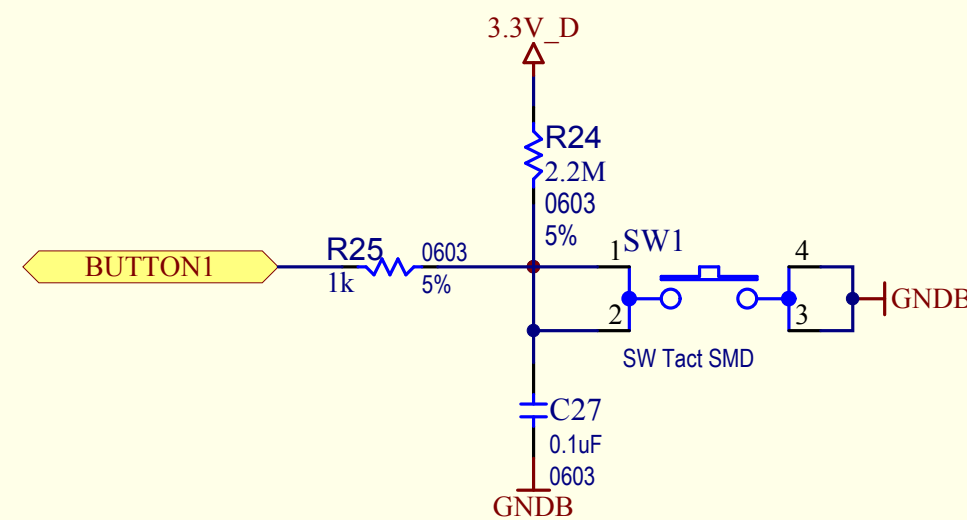
Title		
Single Phase Anti-Tamper Energy Meter		
Size	Doc. Number	Rev.
B	102-00385	4



PULSE OUTPUTS



IR Communication



Revision History				
Rev.	ECO	Description	Date	Approved
2		Changed LCD	11-06-2012	
4		R24,R27 = 2.2M to reduce current	12-04-2012	

Drawn	Adrian Mot	Date	21-11-2011
Checked		Date	
Approved		Date	
Approved		Date	
Approved		Date	

Title Single Phase Anti-Tamper Energy Meter		
Size	Doc. Number	Rev.
B	102-00385	4