

# CGA3E2NP01H020C080AA

TDK Item Description : CGA3E2NP01H020CT\*\*\*\*



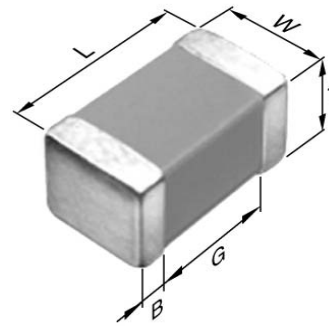
Equivalent C1608NP01H020C for Automotive

## Application & Main Feature

Automotive Grade ( High Temperature Application )

## Series

CGA3(1608) [EIA CC0603]



## Dimensions

L 1.60mm +/-0.1mm  
W 0.80mm +/-0.1mm  
T 0.80mm +/-0.1mm  
B 0.20mm Min.  
G 0.30mm Min.

## Temperature Characteristic

NP0 (-55 to 150 degC 0+/-30ppm/degC)

## Rated Voltage

1H (50Vdc)

## Capacitance

2pF

## Capacitance Tolerance

C (+/-0.25pF)

## Q Factor

440 Min.

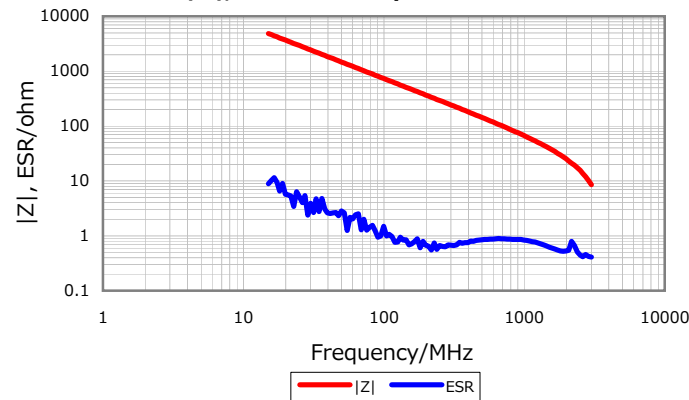
## Insulation Resistance

10Gohm Min.

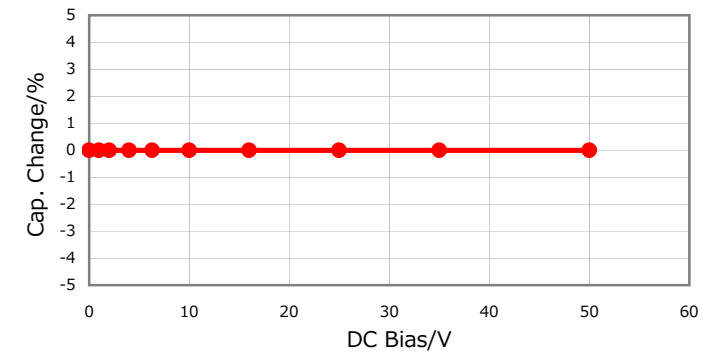
## AEC-Q200

Yes

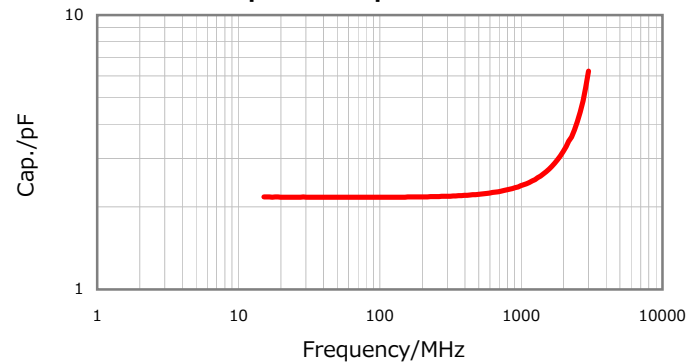
### |Z|, ESR vs. Freq. Characteristics



### DC Bias Characteristic



### Cap. vs. Freq. Characteristic



### Temperature Characteristics

