

# Customer Information Sheet

DRAWING No.: H2071Z01

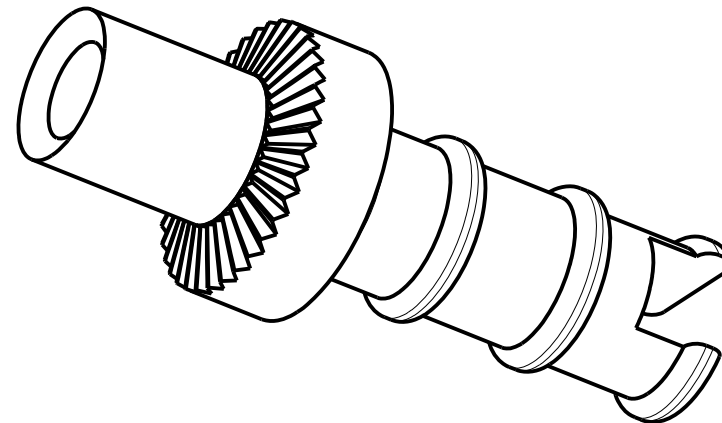
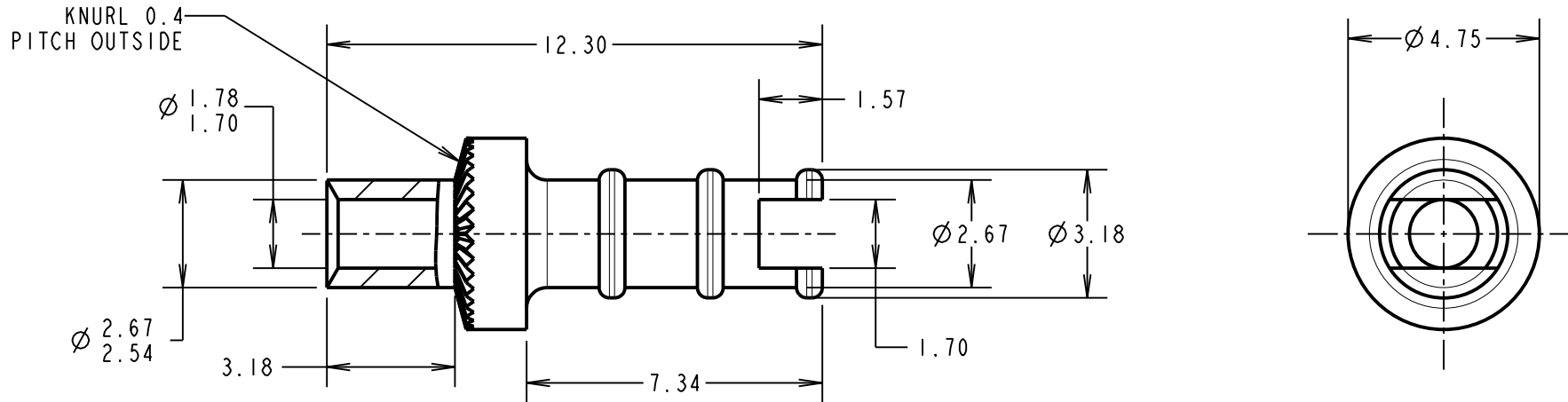
IF IN DOUBT - ASK

©

NOT TO SCALE

THIRD ANGLE PROJECTION

ALL DIMENSIONS IN mm



**NOTES:**

1. UNLESS OTHERWISE STATED, TOLERANCES =  $\pm 0.13$ .
2. RECOMMENDED HOLE SIZE =  $\varnothing 2.68/2.78$ mm.
3. FOR USE WITH BOARD THICKNESS 2.40mm.
4. USE PUNCH AND DIE TOOL PART NUMBER Z2071Z00.

FM	14	24.04.18	21243
NAME	ISS.	DATE	C/NOTE
APPROVED: F. MCGOWAN			
CHECKED: S. BENNETT			
DRAWN: P. COLLINS			
CUSTOMER REF.:			
ASSEMBLY DRG:			

**HARWIN**

www.harwin.com  
technical@harwin.com

THIS DRAWING AND ANY INFORMATION OR DESCRIPTIVE MATTER SET OUT HEREON ARE CONFIDENTIAL AND COPYRIGHT PROPERTY OF THE HARWIN GROUP AND MUST NOT BE DISCLOSED, LOANED, COPIED OR USED FOR MANUFACTURING, TENDERING OR FOR ANY OTHER PURPOSE WITHOUT THEIR WRITTEN PERMISSION.

**TOLERANCES**  
~~X =  $\pm 1$ mm~~  
~~X.X =  $\pm 0.50$ mm~~  
~~X.XX =  $\pm 0.10$ mm~~  
~~X.XXX =  $\pm 0.01$ mm~~  
 ANGLES =  $\pm 5^\circ$   
 UNLESS STATED

**MATERIAL:**  
 ANNEALED BRASS  
 CW614N M TO BS EN 12164  
**FINISH:** 100% TIN OVER NICKEL  
**S/AREA:** mm<sup>2</sup>

**TITLE:**  
 TERMINAL LUG

**DRAWING NUMBER:**  
 H2071Z01

SHT  
2 OF 2