



Product Change Notice December 13, 2022

Products Affected: IO-TxMBK Series
Type of Change: Change of Product Design. Electrical and Mechanical Specifications Impacted.
Reason for Change: Improvements in Performance Specifications and Manufacturability.
Affected Models: IO-T2MBK, IO-T3MBK
Discussion: Io Audio Technologies occasionally makes changes to the designs of our Commercial Off the Shelf (COTS) products as we respond to the availability of parts for manufacturing, the global manufacturing context, and the state of the art in product design. The design of this product was initially completed in 2018, with no design changes since that time. Engineering determined in Q3 2022 that a design revision was possible that would improve the ease of assembly and improve strain relief performance. Design changes were completed to ensure the best product design possible. The latest design of the connector will begin volume manufacturing in Q1 2023.

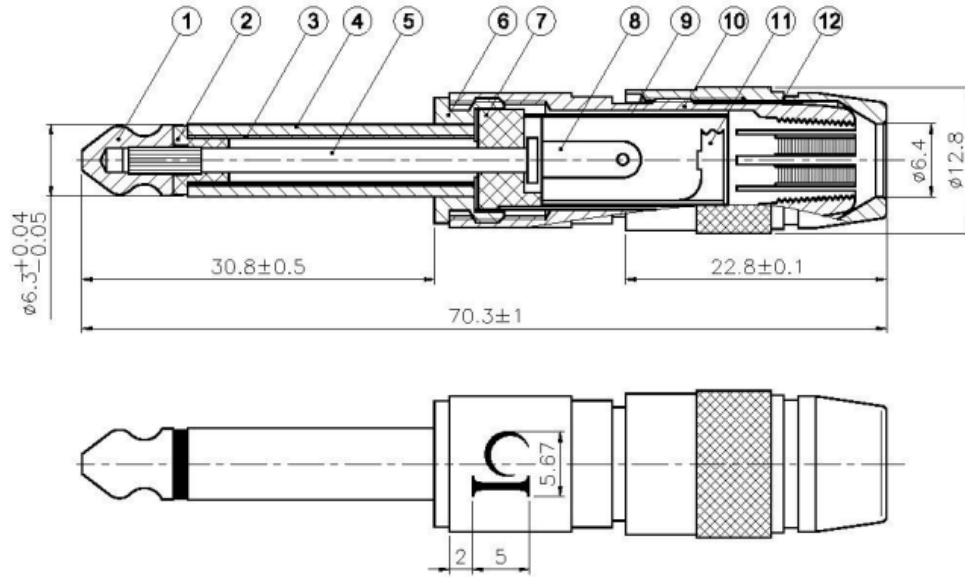
Specification Comparison:

Specification	Original Design	New Design
Capacitance Between Contacts	7.3pF	7.6pF
Capacitance Between Contact and Ground	8.5pF	9.1pF
Cable O.D.	4.0-6.4mm	4.0-7.0mm
Wiresize (T2MBK)	1.35mm Max	2.25mm Max
Wiresize (T3MBK)	1.45mm Max	2.25mm Max
Contact Plating	Silver	Tin
Strain Relief	Brass	Polyoxymethylene
Strain Relief Finish	Silver	Blue
Shell	Brass	Aluminum
Shell Plating	Nickel Tin	Black Paint
Bushing	Brass	Polyamide + TPR

*comparison continues on page 2.

Mechanical Design Comparison:

Original Design (T2MBK Shown for Reference)



New Design (T2MBK Shown for Reference)

