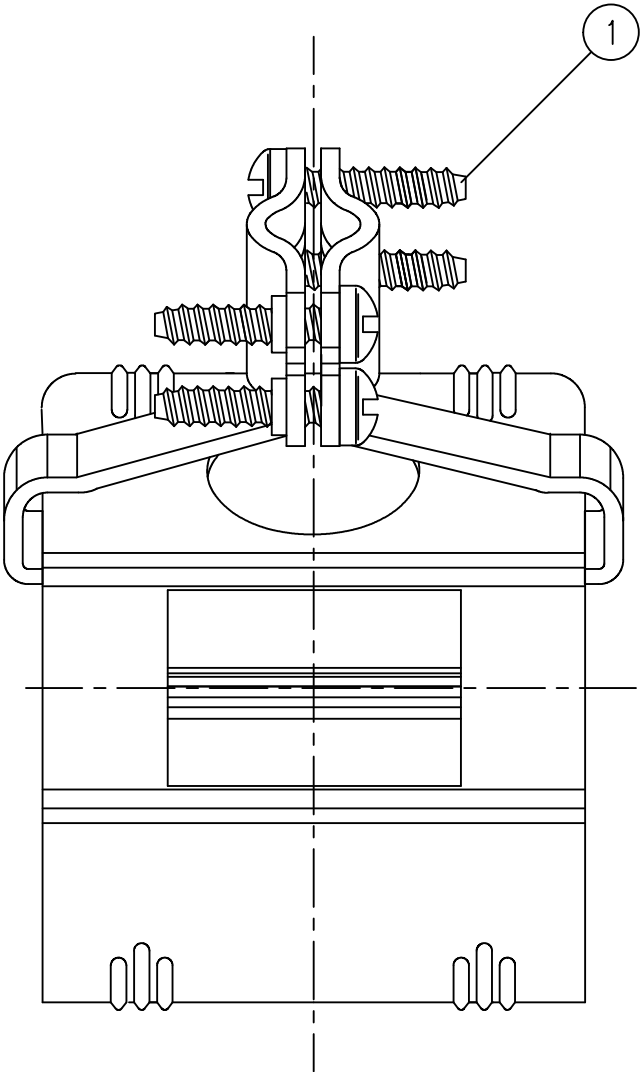
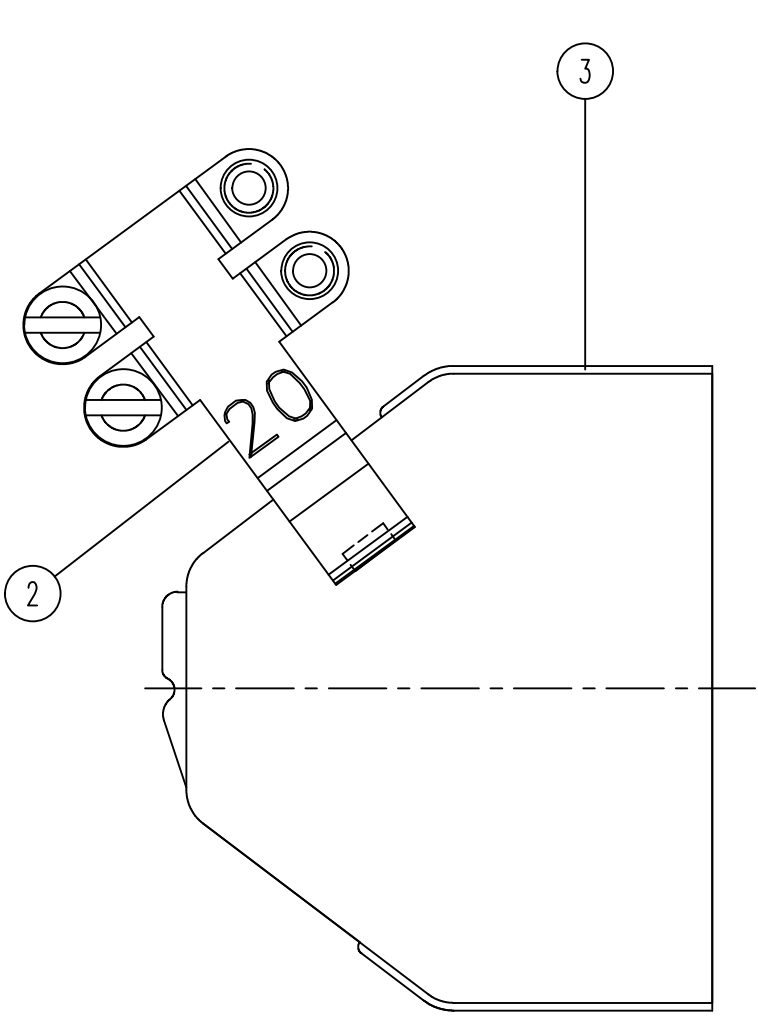


|  |   |    |   |          |   |         |
|--|---|----|---|----------|---|---------|
| 1  | 2 | 3  | 4 | 5        | 6 | 7       |
| CINCH Connectors Ltd. WORKSOP, ENGLAND           |   |    |   |          |   |         |
| A  |   | JA |   | 83386 00 |   | AOP R01 |
| RELEVANT SPEC. SHEET 1 OF 1                      |   |    |   |          |   |         |
| CAD No:R:7683386 \                               |   |    |   |          |   |         |
| IF IN DOUBT - ASK<br>ALL DIMENSIONS<br>ARE IN mm |   |    |   |          |   |         |



CUSTOMER DRAWING ONLY.

|  |  |                  |  |                  |  |  |  |
|--|--|------------------|--|------------------|--|--|--|
| THIS DRAWING IS COPYRIGHT AND IS ISSUED ON CONDITION IT IS NOT COPIED, REPRODUCED OR DISCLOSED TO A THIRD PARTY WITHOUT THE CONSENT IN WRITING OF CINCH CONNECTORS LTD. ATTENTION IS DRAWN TO THE FACT THAT THE ARTICLE DISCLOSED MAY BE COVERED BY BRITISH OR FOREIGN PATENTS, GRANTED OR PENDING OR REGISTERED DESIGN. |  |                  |  |                  |  |  |  |
| APP'D  |  | DATE             |  | CUST ISS         |  | APP'D  |  |
|  |  | 25.07.95         |  | 09.09.80         |  | R15308   |  |
| DESCRIPTION  |  | No. OFF          |  | ISSUE            |  | TITLE  |  |
| SHELL  |  | 3                |  | 1                |  | 20 WAY MOULDED SHELL ASSEMBLY                    |  |
| CLAY   |  | 2                |  | 2                |  | DRN. D.J.POLLARD. DATE 25.07.95 SCALE 2:1 CHD MB |  |
| SCREW  |  | 1                |  | 4                |  | MATERIAL SPEC. APP'D G.S.F                       |  |
| CODE   |  | FINISH           |  | FINISH TREATMENT |  | FINISHED COLOUR                                  |  |
|  |  | T <sub>F</sub> M |  |                  |  |  |  |