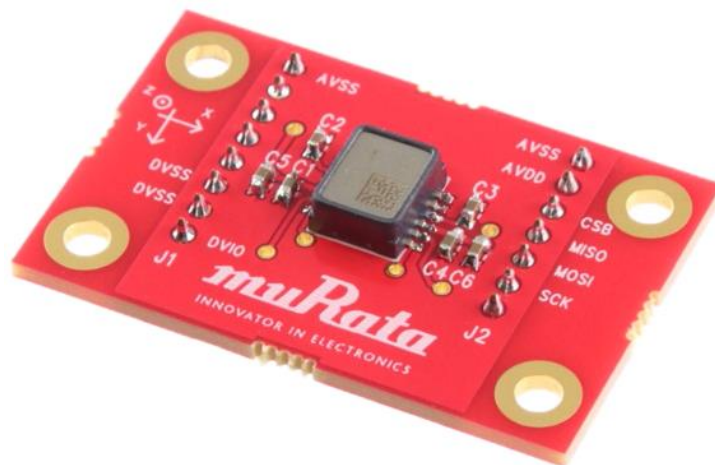


SCA3300 / SCL3300 / SCL3400 PCB SPECIFICATION

SCA3300 Accelerometers

SCL3300 Inclinometers

SCL3400 Inclinometers



SCA3300 / SCL3300 / SCL3400 Chip Carrier PCB

Purpose of the Chip Carrier PCB is to enable fast prototyping.

SCA3300 / SCL3300 / SCL3400 Chip Carrier PCB includes:

- Sensor soldered on PCB
- PCB design # 01059 with pin headers and passive components

Please refer to SCA3300 / SCL3300 / SCL3400 datasheet when using the Chip Carrier PCB.

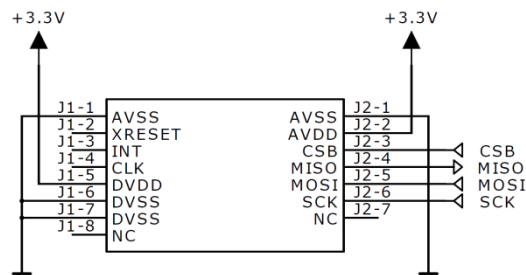


Figure 1. Chip Carrier PCB pinout and external connections.

Table 1. BOM of the SCA3300 / SCL3300 / SCL3400 Chip Carrier PCB.

Item	Qty	Ref	Part Name / type	Value
1	4	C1-4	Capacitor 0603	100 nF
2	2	C5-6 (Optional)	Capacitor 0603	10 μ F
3	1	U1	SCA3300 / SCL3300 / SCL3400 Accelerometer	
4	1	J1	8-pin through hole pin header, pitch 100 mils, pin size 0.63x0.63mm, length ~5.85mm (example mating part: Samtec: SSQ-108-01-S-S)	
5	1	J2	7-pin through hole pin header, pitch 100 mils, pin size 0.63x0.63mm, length ~5.85mm (example mating part: Samtec: SSQ-107-01-S-S)	

Detailed pictures of the Chip Carrier PCB are presented on following pages:

- PCB layout
- Assembly drawings
- Circuit diagram

PCB mechanical dimensions:

- Width 42.9 mm
- Height 27.4 mm
- Height 15.1 mm (incl. components and pin headers)

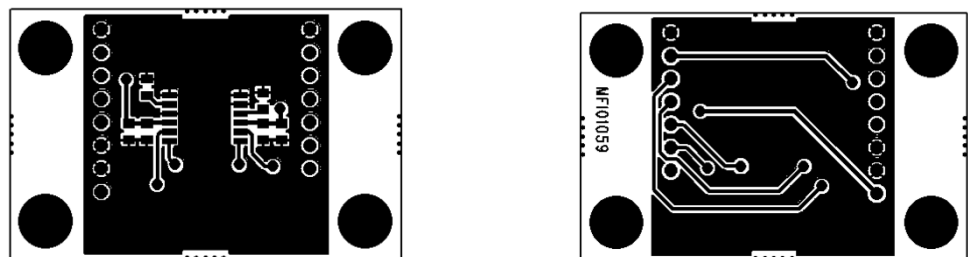


Figure 2. TOP (left) and BOTTOM (right) layout of the Chip Carrier PCB (aspect ratio not 1:1).

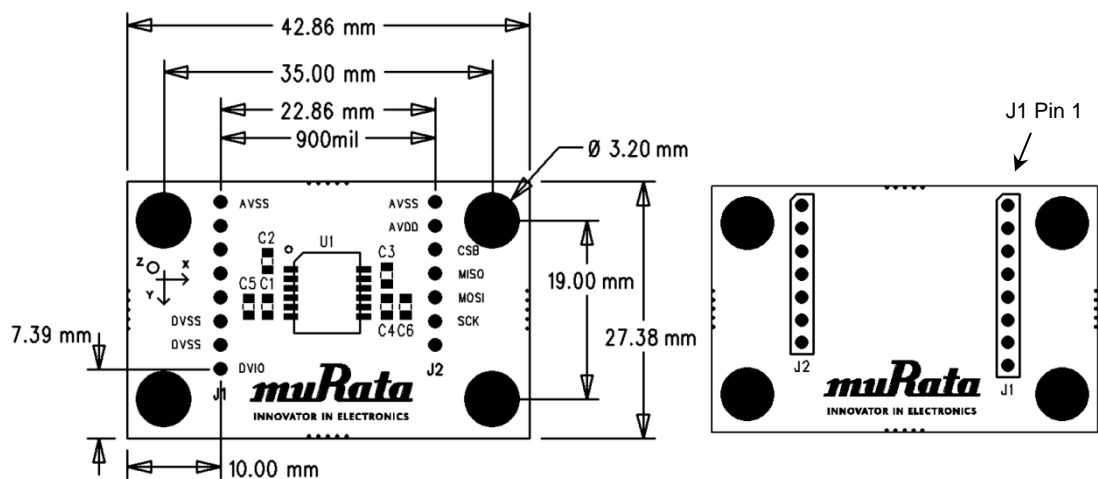


Figure 3. TOP (left) and BOTTOM (right) view assembly drawings for the Chip Carrier PCB (aspect ratio not 1:1).

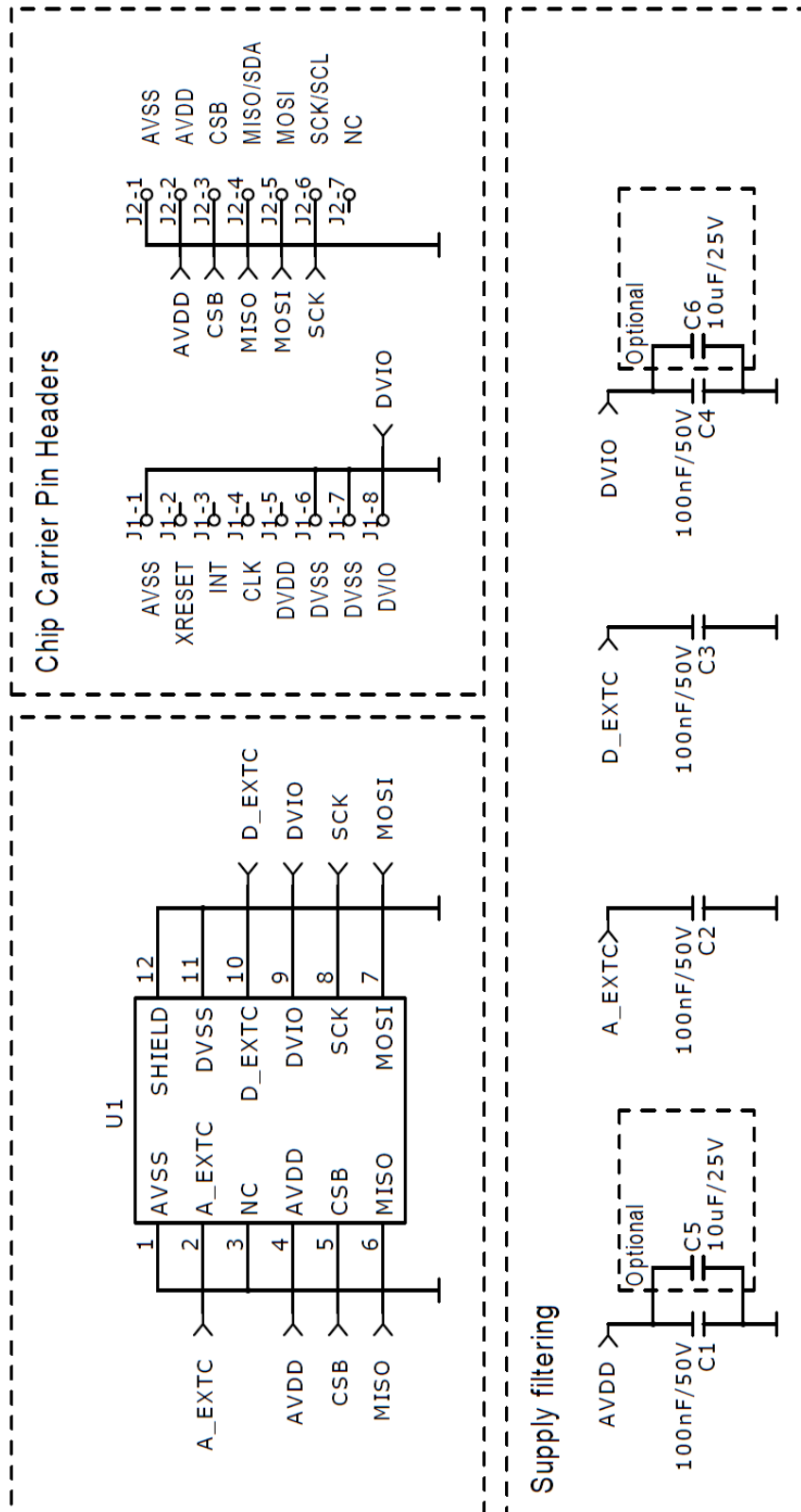


Figure 4. SCA3300 / SCL3300 / SCL3400 Chip Carrier PCB circuit diagram.