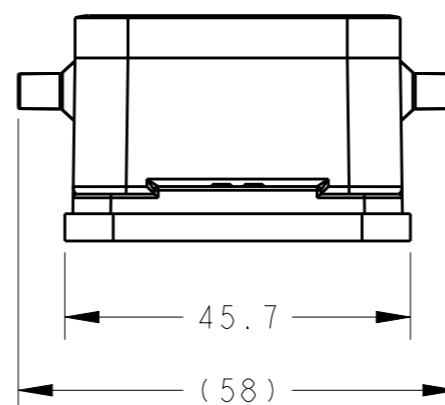
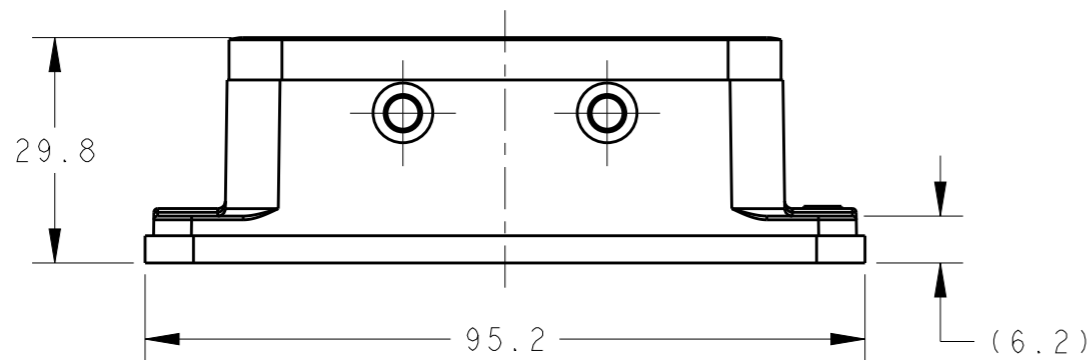


THIS DRAWING IS UNPUBLISHED. RELEASED FOR PUBLICATION 20
 © COPYRIGHT 20 BY - ALL RIGHTS RESERVED.

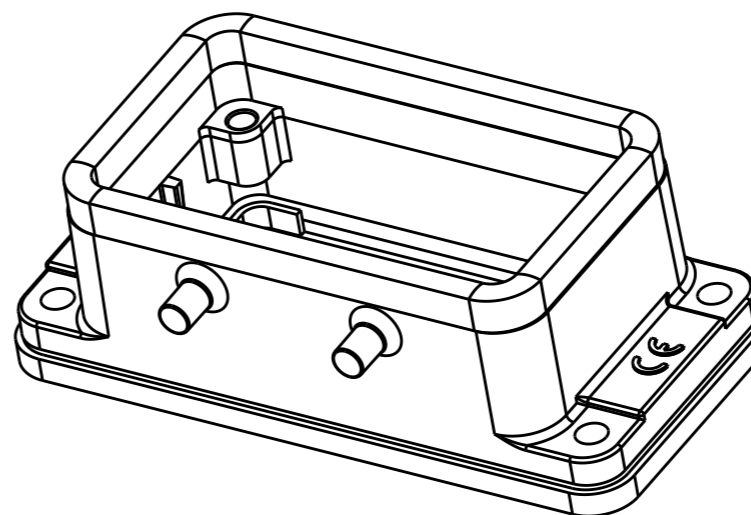
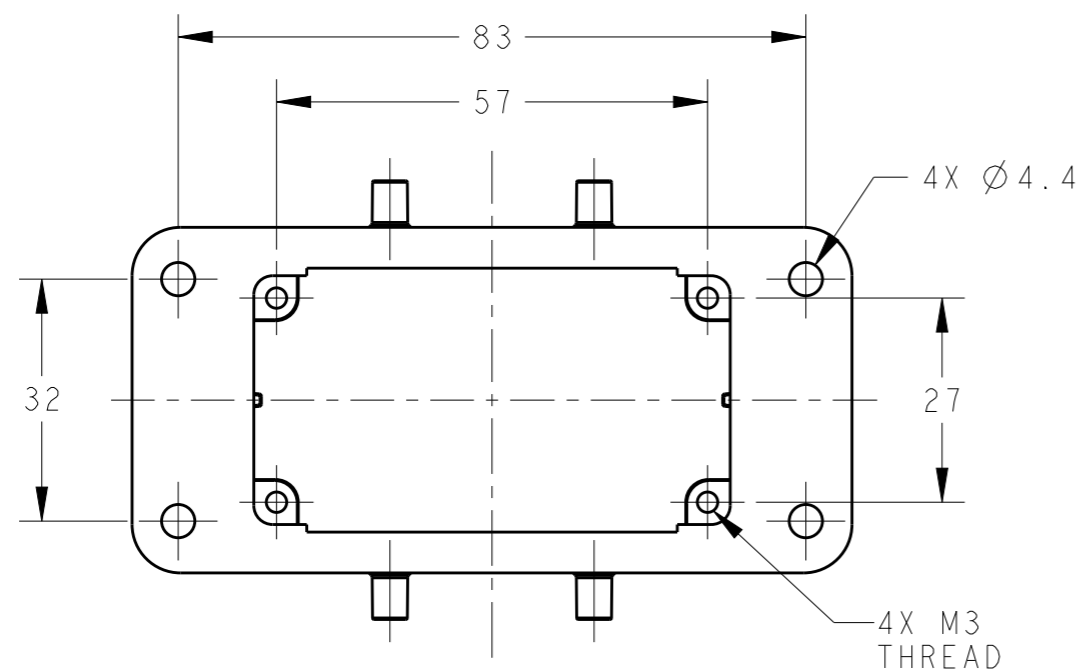
REVISIONS

P	LTR	DESCRIPTION	DATE	DWN	APVD
	A	INITIAL	18JUN2015	DW	CW
	B	ECR-20-008181	03JUL2020	WQR	CW

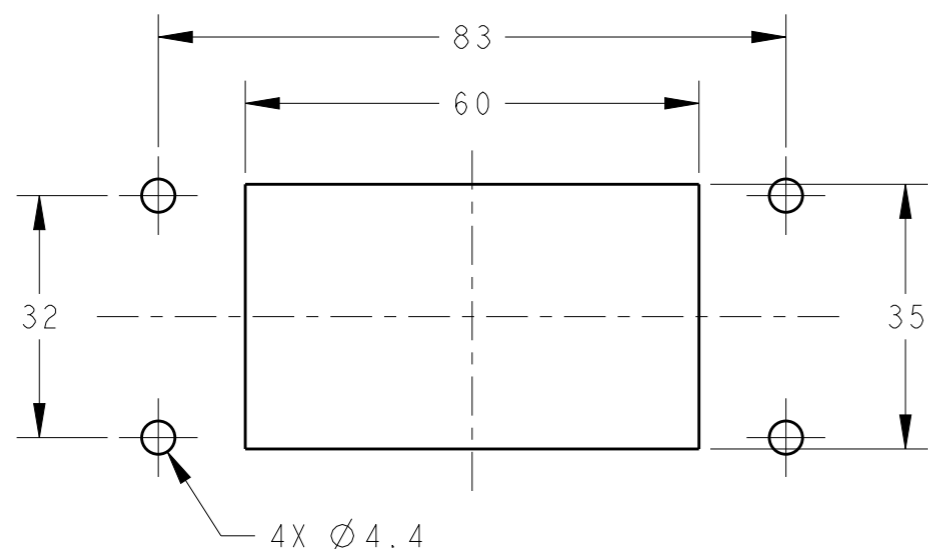


NOTES:
 1. TECHNICAL CHARACTERISTICS:
 HOUSING MATERIAL: DIE CAST ALUMINIUM ALLOY
 SURFACE: POWDER COATED, GREY
 DEGREE OF PROTECTION: IP65 (MATED)

注释:
 1. 技术参数:
 下壳材料: 铝合金
 表面处理: 粉末涂层, 灰色
 防护等级: IP65(配合)



PANEL CUT OUT



T1420100000-000	H10B-AG-BO	H10B HOUSING, BULKHEAD MOUNTED, 4 EAR, POWDER COATED, GREY H10B下壳, 开孔安装, 4耳, 灰色粉末喷涂
PART NUMBER 成品料号	ASSEMBLY PART DESCRIPTION 成品描述	

THIS DRAWING IS A CONTROLLED DOCUMENT.	
DIMENSIONS: mm	TOLERANCES UNLESS OTHERWISE SPECIFIED: 0 PLC ±- 1 PLC ±- 2 PLC ±- 3 PLC ±- 4 PLC ±- ANGLES ±-
MATERIAL -	FINISH -

DWN	05JUN2015
CHK	05JUN2015
APVD	05JUN2015
PRODUCT SPEC	108-137013
APPLICATION SPEC	114-137013
WEIGHT	-
Customer Drawing	

TE Connectivity		NAME H10B-AG-BO	
		SIZE A3	CAGE CODE 00779
SCALE 1:1		SHEET 1 OF 1	REV B