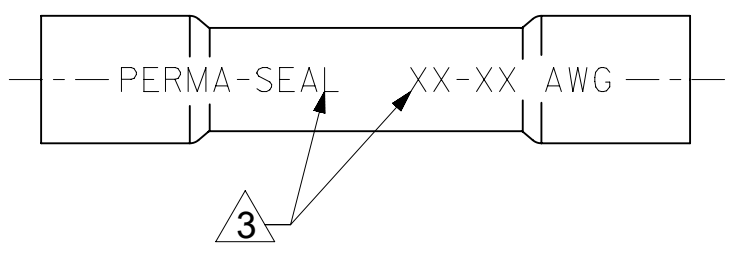
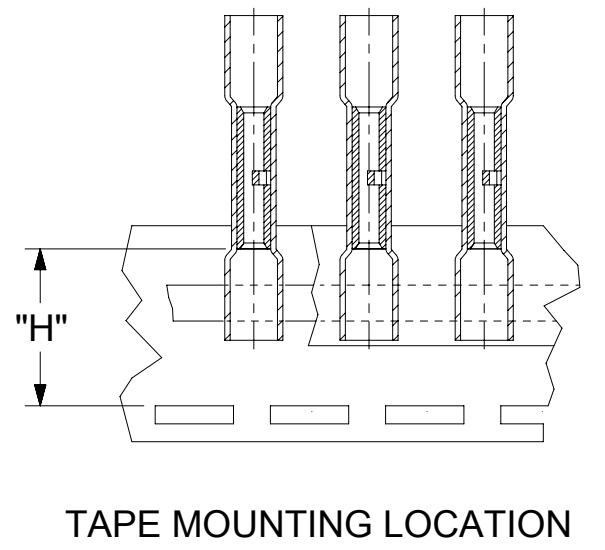
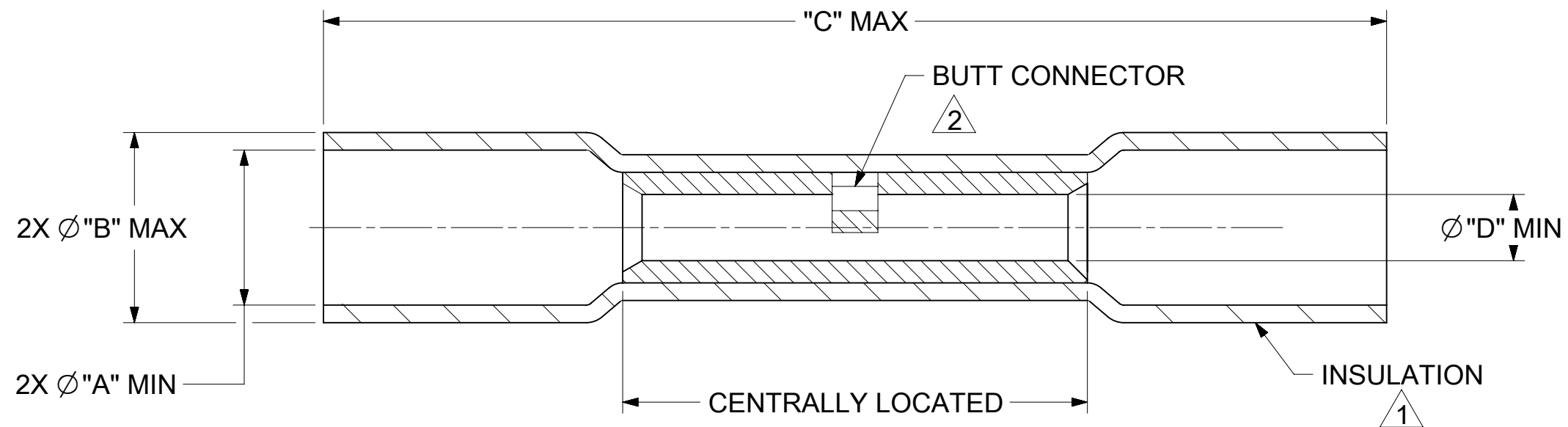


MAT'L NO.	ENG NO.	MAT'L NO. TAPE MOUNT	ENG NO. TAPE MOUNT	PERMA-SEAL COLOR	WIRE AWG	"A" MIN	"B" Ø MAX	"C" MAX	"H" ± .020 (0.51)	"D" MIN
191640013	SAA-22-18	191640014	SAA-22-18T	SAA-22-18T	22 - 18	.185 (4.70)	.280 (7.11)	1.55 (39.4)	.767 (19.48)	.059 (1.50)
191640044	SBB-16-14	191640045	SBB-16-14T	SBB-16-14T	16 - 14	.195 (4.95)	.308 (7.82)	1.55 (39.4)	.765 (19.43)	.091 (2.31)
191640056	SC-12-10	191640057	SC-12-10T	SC-12-10T	12 - 10	.275 (6.99)	.383 (9.73)	1.80 (45.7)	.800 (23.32)	.139 (3.53)
191640079	SD-354	----	----	----	8	.300 (7.62)	.448 (11.38)	2.05 (52.4)	----	.165 (4.19)



- NOTE(S):
- 1 INSULATION MATERIAL: HEAT SHRINKABLE TUBING WITH HOTMELT INNER LINER. (SEE CHART FOR COLOR).
  - 2 SEAMLESS TIN PLATED COPPER TERMINAL.
  - 3 PRINTED TEXT IN BLACK APPROX. .12(3.0) HIGH
  - 4. PARTS ARE RoHS COMPLIANT.

THIS DRAWING CONTAINS INFORMATION THAT IS PROPRIETARY TO MOLEX ELECTRONIC TECHNOLOGIES, LLC AND SHOULD NOT BE USED WITHOUT WRITTEN PERMISSION											
FUNCTIONAL SYMBOLS		DIMENSION UNITS		SCALE		CURRENT REV DESC: "H" TOLERANCE WAS +/- .010 (.025)					
FA = 0		INCH/MM		1:1		<b>molex</b> PERMA-SEAL NIAC BUTT CONNECTORS PRODUCT CUSTOMER DRAWING EC NO: 740839 DRWN: DEANNM1 2023/03/02 CHK'D: JMACNEIL 2023/03/11 APPR: JMACNEIL 2023/03/11 INITIAL REVISION: DRWN: BENDERLE 2002/04/02 APPR: RDEROSS 2002/04/03					
FE = 0		GENERAL TOLERANCES (UNLESS SPECIFIED)									
FD = 0		MM		INCH							
DIVISIONAL SYMBOLS		4 PLACES ±		±							
		3 PLACES ±		±							
		2 PLACES ±		±							
		1 PLACE ±		±							
		0 PLACES ±		±							
		ANGULAR TOL ± °									
DRAFT WHERE APPLICABLE MUST REMAIN WITHIN DIMENSIONS				THIRD ANGLE PROJECTION		DRAWING		SERIES		MATERIAL NUMBER	
				B-SIZE		19164		SEE CHART		CUSTOMER	
						GENERAL MARKET				SHEET NUMBER	
										1 OF 1	