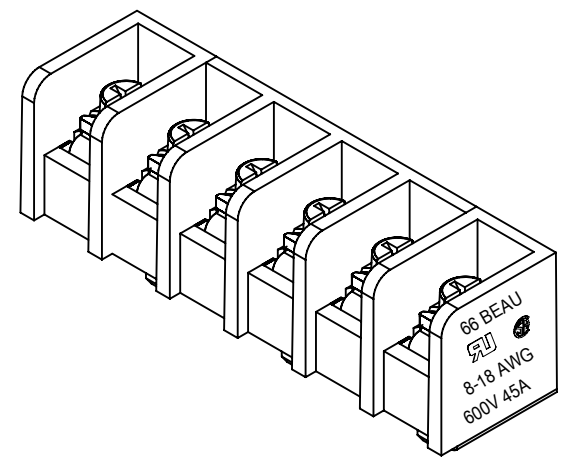
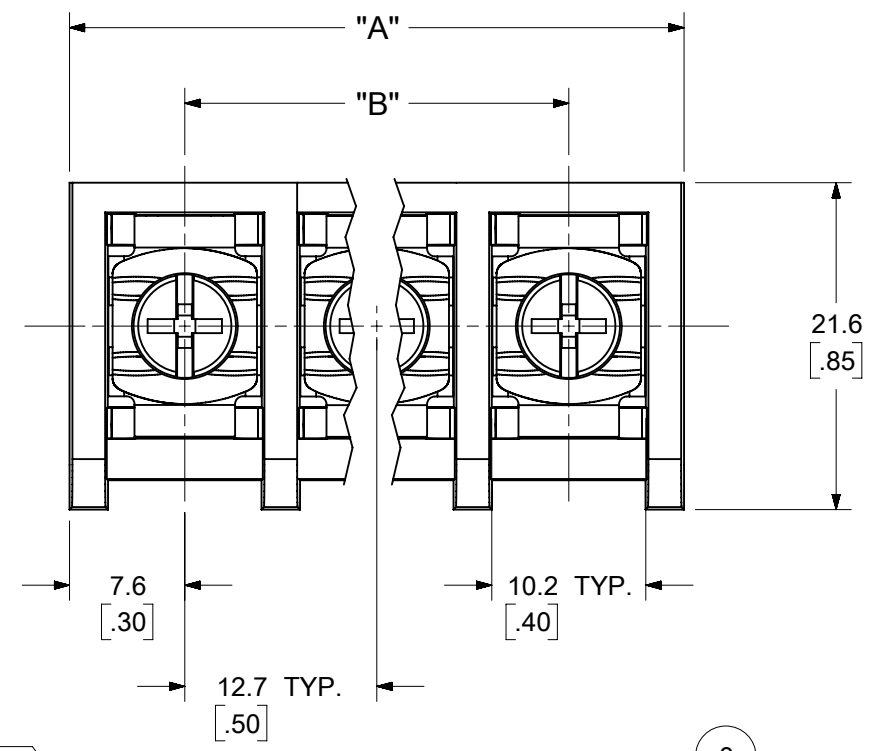


MATERIAL NUMBER (STD PART)	NUMBER OF CIRCUITS "XX"	DIM. "A"		DIM. "B"	
		mm	IN	mm	IN
386608802	02	27.9	1.10	12.70	.500
386608803	03	40.6	1.60	25.40	1.000
386608804	04	53.3	2.10	38.10	1.500
386608805	05	66.0	2.60	50.80	2.000
386608806	06	78.7	3.10	63.50	2.500
386608807	07	91.4	3.60	76.20	3.000
386608808	08	104.1	4.10	88.90	3.500
386608809	09	116.8	4.60	101.60	4.000
386608810	10	129.5	5.10	114.30	4.500
386608811	11	142.2	5.60	127.00	5.000
386608812	12	154.9	6.10	139.70	5.500
386608813	13	167.6	6.60	152.40	6.000
386608814	14	180.3	7.10	165.10	6.500
386608815	15	193.0	7.60	177.80	7.000

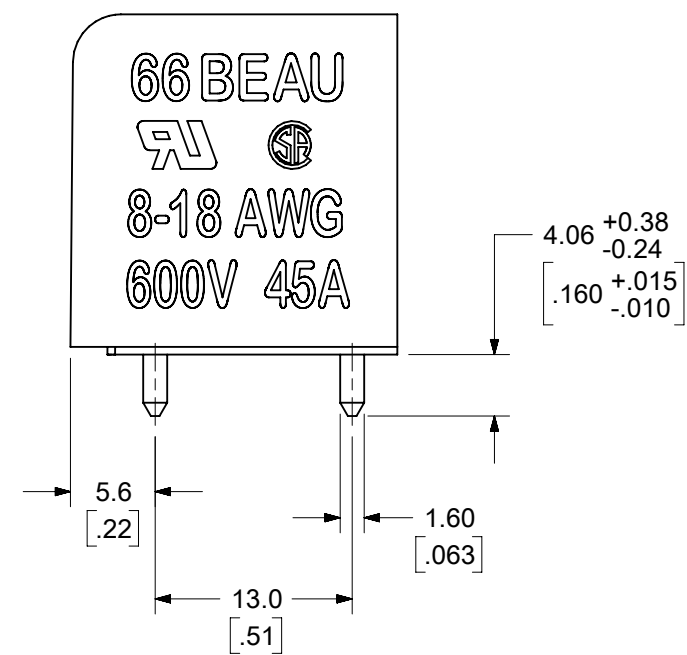
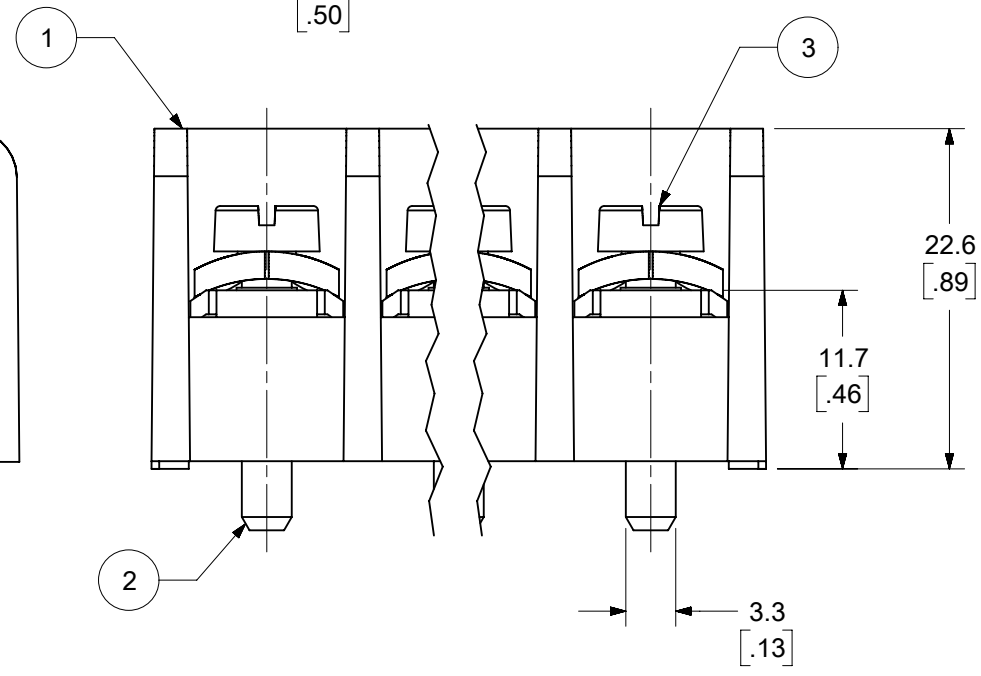
- NOTES:
- MATERIAL: SEE TABLE
  - FINISHES: SEE TABLE
  - ELECTRICAL RATINGS:
    - (A). MAXIMUM VOLTAGE: 600V
    - (B). MAXIMUM CURRENT: 45A
    - (C). INSULATION RESISTANCE: >5000 MΩ
    - (D). DIELECTRIC WITHSTAND VOLTAGE: 12000V AC
  - WIRE RANGE: 8 TO 18 AWG (SOLID OR STRANDED COPPER)
  - SCREW TORQUE: 16 LBF. IN. (1.8Nm)
  - OPERATING TEMPERATURE: -40°C TO +120°C

ITEM	QTY	DESCRIPTION	MATERIAL	FINISH
3	XX	SCREW	STEEL	ZN/YELLOW CHROMATE
2	XX	TERMINAL	RED BRASS	TIN OVER COPPER
1	1	INSULATOR	POLYESTER (PBT)	BLACK

DOCUMENT STATUS	P1	RELEASE DATE	2020/03/09	17:51:50
-----------------	----	--------------	------------	----------



6 CIRCUIT SHOWN ACTUAL SIZE



SYMBOLS		THIS DRAWING CONTAINS INFORMATION THAT IS PROPRIETARY TO MOLEX ELECTRONIC TECHNOLOGIES, LLC AND SHOULD NOT BE USED WITHOUT WRITTEN PERMISSION	
▽ = 0	DIMENSION UNITS	SCALE	CURRENT REV DESC: UPDATED NOTES SECTION
▽ = 0	MM/INCH	2:1	
▽ = 0	GENERAL TOLERANCES (UNLESS SPECIFIED)		
▽ = 0		MM	INCH
▽ = 0	4 PLACES ±	---	---
▽ = 0	3 PLACES ±	---	± .005
▽ = 0	2 PLACES ±	0.13	± .01
▽ = 0	1 PLACE ±	0.3	± ---
▽ = 0	0 PLACES ±	---	± ---
▽ = 0	ANGULAR TOL	± 2°	
▽ = 0	DRAFT WHERE APPLICABLE MUST REMAIN WITHIN DIMENSIONS		THIRD ANGLE PROJECTION
▽ = 0			DRAWING
			SERIES
			MATERIAL NUMBER
			CUSTOMER
			SHEET NUMBER

**molex**

SR BTS, 12.70/.500 PITCH  
PC, NO MTG ASSY, ROHS COMPLIANT

PRODUCT CUSTOMER DRAWING

DOCUMENT NUMBER: SD-38660-003  
DOC TYPE: PSD  
DOC PART: 001  
REVISION: B

SEE CHART GENERAL MARKET 1 OF 1