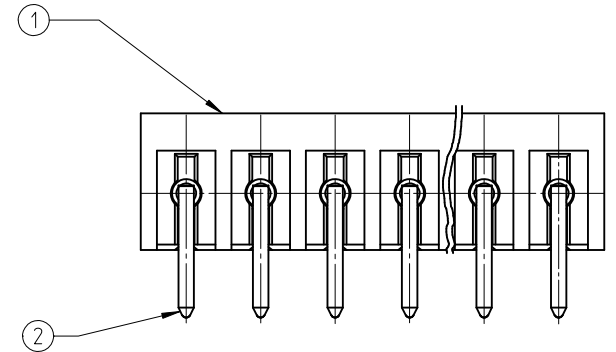
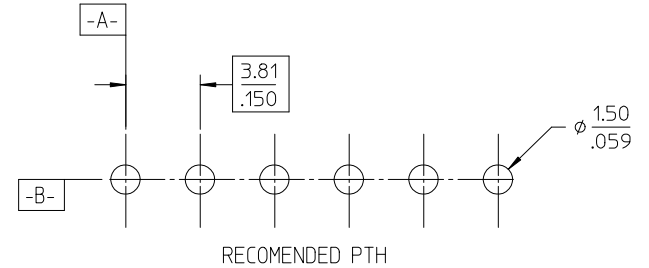
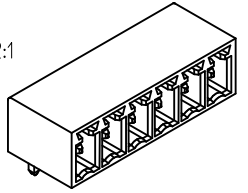


SCALE 2:1



NOTES:

1. MATERIAL: SEE TABLE
2. FINISHES: SEE TABLE
3. SEE DWG SD-38120-003 FOR PRINTING OPTIONS
4. FLASH NOT TO EXCEED .003" THICK AND/OR .015" LONG UNLESS OTHERWISE SPECIFIED
5. "XX" REFERS TO NUMBER OF CIRCUITS
6. ROHS COMPLIANT

|      |      |                      |                 |           |
|------|------|----------------------|-----------------|-----------|
| 2    | "XX" | PIN HEADER           | BRASS           | SEE CHART |
| 1    | 1    | SR HEADER 3.81 CE M0 | POLYESTER (PBT) | SEE CHART |
| ITEM | QTY. | DESCRIPTION          | MATERIAL        | FINISH    |

**UPDATE TOLERANCE**  
 EC NO: WNA2010-0588  
 DRAWN: JENCINAS 2010/03/23  
 CHKD: CLYORK 2010/03/23  
 APPR: JMACNEIL 2010/03/30

QUALITY SYMBOLS  
 = 0  
 = 0

| GENERAL TOLERANCES (UNLESS SPECIFIED)                |        |
|--|--------|
|  | mm     |
| 4 PLACES   | ± .005 |
| 3 PLACES   | ± .005 |
| 2 PLACES   | ± 0.13 |
| 1 PLACE  | ± 0.3  |
| ANGULAR ± 2°   |        |
| DRAFT WHERE APPLICABLE MUST REMAIN WITHIN DIMENSIONS |        |

| DIMENSION STYLE |              |
|-----------------|--------------|
| MM/IN           |              |
| DRAWN BY        | DATE         |
| JENCINAS        | 2010/03/23   |
| CHECKED BY      | DATE         |
| CLYORK          | 2010/03/23   |
| APPROVED BY     | DATE         |
| JMACNEIL        | 2010/03/29   |
| MATERIAL NO.    | DOCUMENT NO. |
| SEE CHART       |              |

|   |              |                        |
|---|--------------|------------------------|
| SCALE   | DESIGN UNITS | THIRD ANGLE PROJECTION |
| 4:1   | INCH         |                        |
| TITLE   |              |                        |
| HEADER, RA, CLOSED ENDS ASSY, 3.81/.150 CENTER  |              |                        |
| MOLEX INCORPORATED  |              | SHEET NO.              |
| SD-39900-006  |              | 1 OF 2                 |
| THIS DRAWING CONTAINS INFORMATION THAT IS PROPRIETARY TO MOLEX INCORPORATED AND SHOULD NOT BE USED WITHOUT WRITTEN PERMISSION |              |                        |

| No. OF<br>CIRCUITS | DIM "A"     |               | DIM "B" |       | MATERIAL NO. | MATERIAL NO. | MATERIAL NO.     |
|--------------------|-------------|---------------|---------|-------|--------------|--------------|------------------|
|                    | ±0.25<br>mm | ±.010<br>Inch | mm      | Inch  | TIN PLATED   | GOLD PLATED  | GREEN<br>BARRIER |
| 2                  | 8.48        | 0.334         | 3.81    | 0.150 | 399000702    | 399010702    | 399003702        |
| 3                  | 12.29       | 0.484         | 7.62    | 0.300 | 399000703    | 399010703    | 399003703        |
| 4                  | 16.10       | 0.634         | 11.43   | 0.450 | 399000704    | 399010704    | 399003704        |
| 5                  | 19.91       | 0.784         | 15.24   | 0.600 | 399000705    | 399010705    | 399003705        |
| 6                  | 23.72       | 0.934         | 19.05   | 0.750 | 399000706    | 399010706    | 399003706        |
| 7                  | 27.53       | 1.084         | 22.86   | 0.900 | 399000707    | 399010707    | 399003707        |
| 8                  | 31.34       | 1.234         | 26.67   | 1.050 | 399000708    | 399010708    | 399003708        |
| 9                  | 35.15       | 1.384         | 30.48   | 1.200 | 399000709    | 399010709    | 399003709        |
| 10                 | 38.96       | 1.534         | 34.29   | 1.350 | 399000710    | 399010710    | 399003710        |
| 11                 | 42.77       | 1.684         | 38.10   | 1.500 | 399000711    | 399010711    | 399003711        |
| 12                 | 46.58       | 1.834         | 41.91   | 1.650 | 399000712    | 399010712    | 399003712        |
| 13                 | 50.39       | 1.984         | 45.72   | 1.800 | 399000713    | 399010713    | 399003713        |
| 14                 | 54.20       | 2.134         | 49.53   | 1.950 | 399000714    | 399010714    | 399003714        |
| 15                 | 58.01       | 2.284         | 53.34   | 2.100 | 399000715    | 399010715    | 399003715        |
| 16                 | 61.82       | 2.434         | 57.15   | 2.250 | 399000716    | 399010716    | 399003716        |
| 17                 | 65.63       | 2.584         | 60.96   | 2.400 | 399000717    | 399010717    | 399003717        |
| 18                 | 69.44       | 2.734         | 64.77   | 2.550 | 399000718    | 399010718    | 399003718        |
| 19                 | 73.25       | 2.884         | 68.58   | 2.700 | 399000719    | 399010719    | 399003719        |
| 20                 | 77.06       | 3.034         | 72.39   | 2.850 | 399000720    | 399010720    | 399003720        |
| 21                 | 80.87       | 3.184         | 76.20   | 3.000 | 399000721    | 399010721    | 399003721        |

|  |  |   |   |                    |                              |   |
|--|--|---|---|--------------------|------------------------------|---|
| SEE SHEET ONE<br>EC NO: WNA2010-0588<br>DRAWN: JENCINAS 2010/03/23<br>CHECKED: CLYORK 2010/03/23<br>APPR: JMACNEIL 2010/03/30<br>REV DESCRIPTION | QUALITY SYMBOLS  | GENERAL TOLERANCES (UNLESS SPECIFIED)   | DIMENSION STYLE   | SCALE              | DESIGN UNITS                 | THIRD ANGLE PROJECTION  |
|  | ▼=0<br>▽=0   | mm INCH<br>4 PLACES ± --- ± ---<br>3 PLACES ± --- ± .005<br>2 PLACES ± 0.13 ± .01<br>1 PLACE ± 0.3 ± ---<br>ANGULAR ± 2 ° | MM/IN   | 4:1                | INCH                         | DRAWN BY DATE<br>JENCINAS 2010/03/23<br>CHECKED BY DATE<br>CLYORK 2010/03/23<br>APPROVED BY DATE<br>JMACNEIL 2010/03/29 |
|  | DRAFT WHERE APPLICABLE<br>MUST REMAIN<br>WITHIN DIMENSIONS   | SEE CHART   | TITLE<br>HEADER , RA, CLOSED ENDS<br>ASSY, 3.81/.150 CENTER | MOLEX INCORPORATED | DOCUMENT NO.<br>SD-39900-006 | SHEET NO.<br>2 OF 2   |
|  | THIS DRAWING CONTAINS INFORMATION THAT IS PROPRIETARY TO MOLEX<br>INCORPORATED AND SHOULD NOT BE USED WITHOUT WRITTEN PERMISSION |   |   |                    |                              |   |