

MATERIALS AND FINISHES

BODY BRASS
PLATED NICKEL

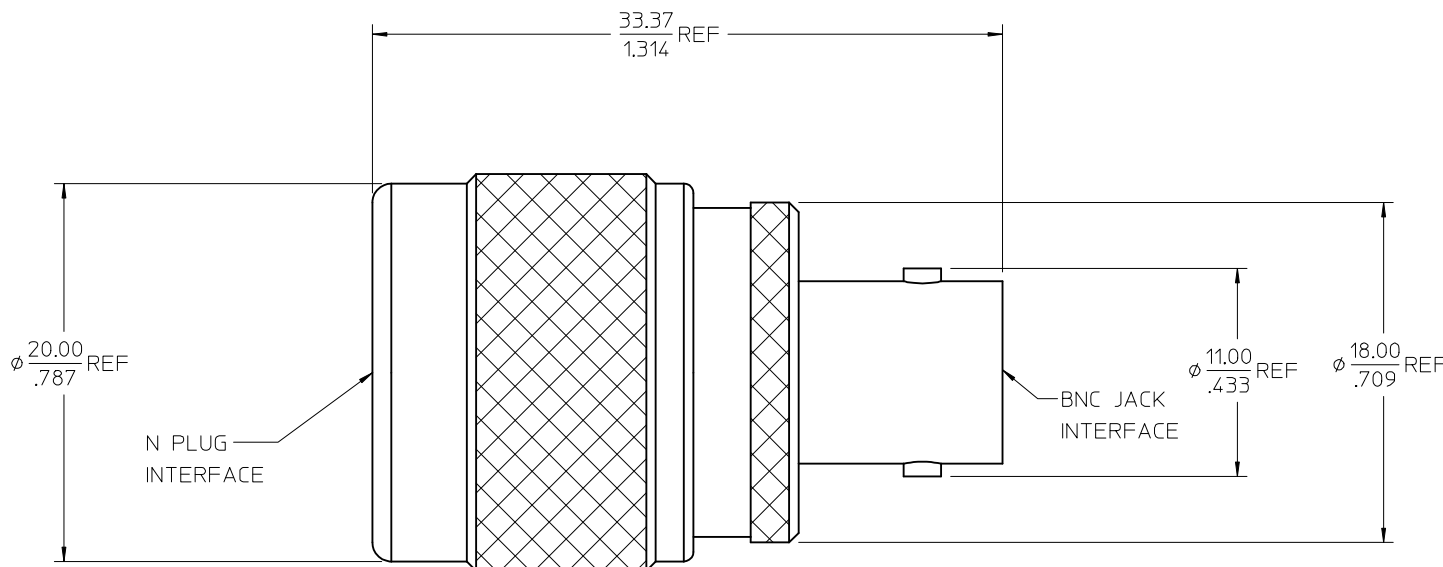
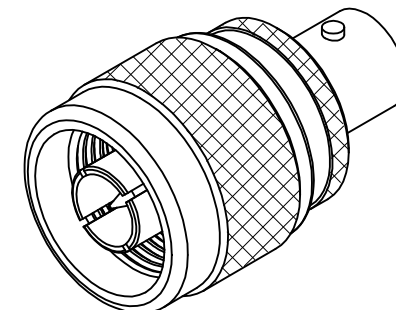
CENTER CONTACT BERYLLIUM COPPER
PLATED GOLD

INSULATOR TEFLON

COUPLING NUT BRASS
PLATED NICKEL

GASKET SILICONE RUBBER

PACKAGING: BY TRAY



PART # 73386-1080

MIL-STD-348A, FIG. 301.2	BNC INTERFACE
MIL-STD-348A, FIG. 304.1	N INTERFACE
SPECIFICATION	DESCRIPTION

UNLESS OTHERWISE SPECIFIED DIMS ARE MILLIMETERS AND ANGLES ARE DEGREES.

- ALL OVER.
- NO CHATTER OR NON-UNIFORM SURFACE FINISH ALLOWED.
- PARTS TO BE FREE OF BURRS & SHARP EDGES 0.13(.005) MAX BREAK.
- EXTERNAL THREADS TO BE ROLLED OR SINGLE POINT.
- DIAMETERS TO BE CONCENTRIC WITHIN 0.08(.003) TIR.

CHG: ADD PKG PER RF15-E279
EC NO: URF2016-0091
DRW: CWE102 2015/08/06
CHKD:
APPR: YCHENG 2015/08/07
REV: A2

QUALITY SYMBOLS
▽=0
▽=0

GENERAL TOLERANCES (UNLESS SPECIFIED)

	mm	INCH
4 PLACES	± .15	± .005
3 PLACES	± .10	± .004
2 PLACES	± .075	± .003
1 PLACE	± .05	± .002

ANGULAR ± 2 °

DRAFT WHERE APPLICABLE MUST REMAIN WITHIN DIMENSIONS

DIMENSION STYLE MM/IN

DRAWN BY JM	DATE 2005/08/24
CHECKED BY JM	DATE 2005/08/24
APPROVED BY JDW	DATE 2005/08/24

MATERIAL NO. 733861080

SIZE C

SCALE METRIC

DESIGN UNITS METRIC

THIRD ANGLE PROJECTION

TITLE BSA, N PLUG TO BNC JACK STRAIGHT, 50 OHMS EWR-2891, BSA-NP/BNCJ

MOLEX MOLEX INCORPORATED

DOCUMENT NO. SD-73386-108

SHEET NO. 1 OF 1

THIS DRAWING CONTAINS INFORMATION THAT IS PROPRIETARY TO MOLEX INCORPORATED AND SHOULD NOT BE USED WITHOUT WRITTEN PERMISSION