

MATERIAL NUMBER	# OF COLUMNS	# OF DIFF PAIR	DIM "A" MAX	DIM "B"	PTH \varnothing
76410-*8**	8	24	22.80	13.30	0.46 \pm 0.05
76410-*1**	10	30	26.60	17.10	0.46 \pm 0.05
76410-*4**	14	42	34.20	24.70	0.46 \pm 0.05
76410-*6**	16	48	38.00	28.50	0.46 \pm 0.05
76410-*8**	8	24	22.80	13.30	0.39 \pm 0.05
76410-*1**	10	30	26.60	17.10	0.39 \pm 0.05
76410-*4**	14	42	34.20	24.70	0.39 \pm 0.05
76410-*6**	16	48	38.00	28.50	0.39 \pm 0.05

76410-***

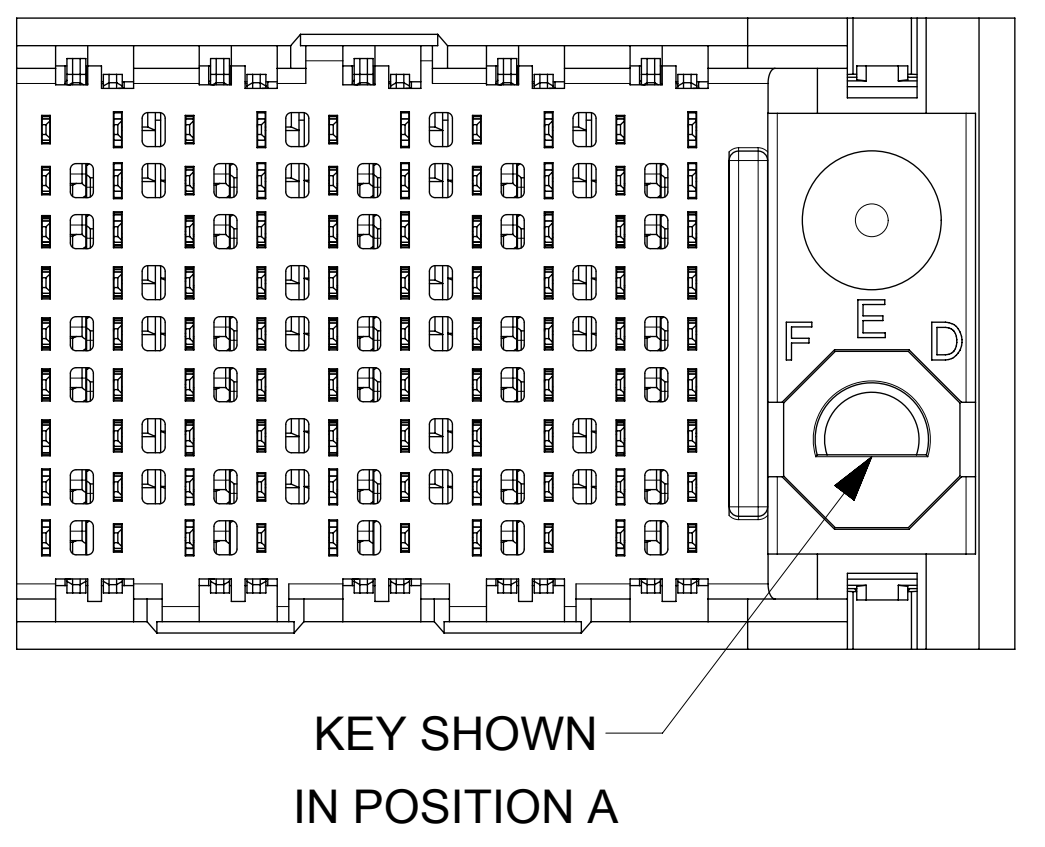
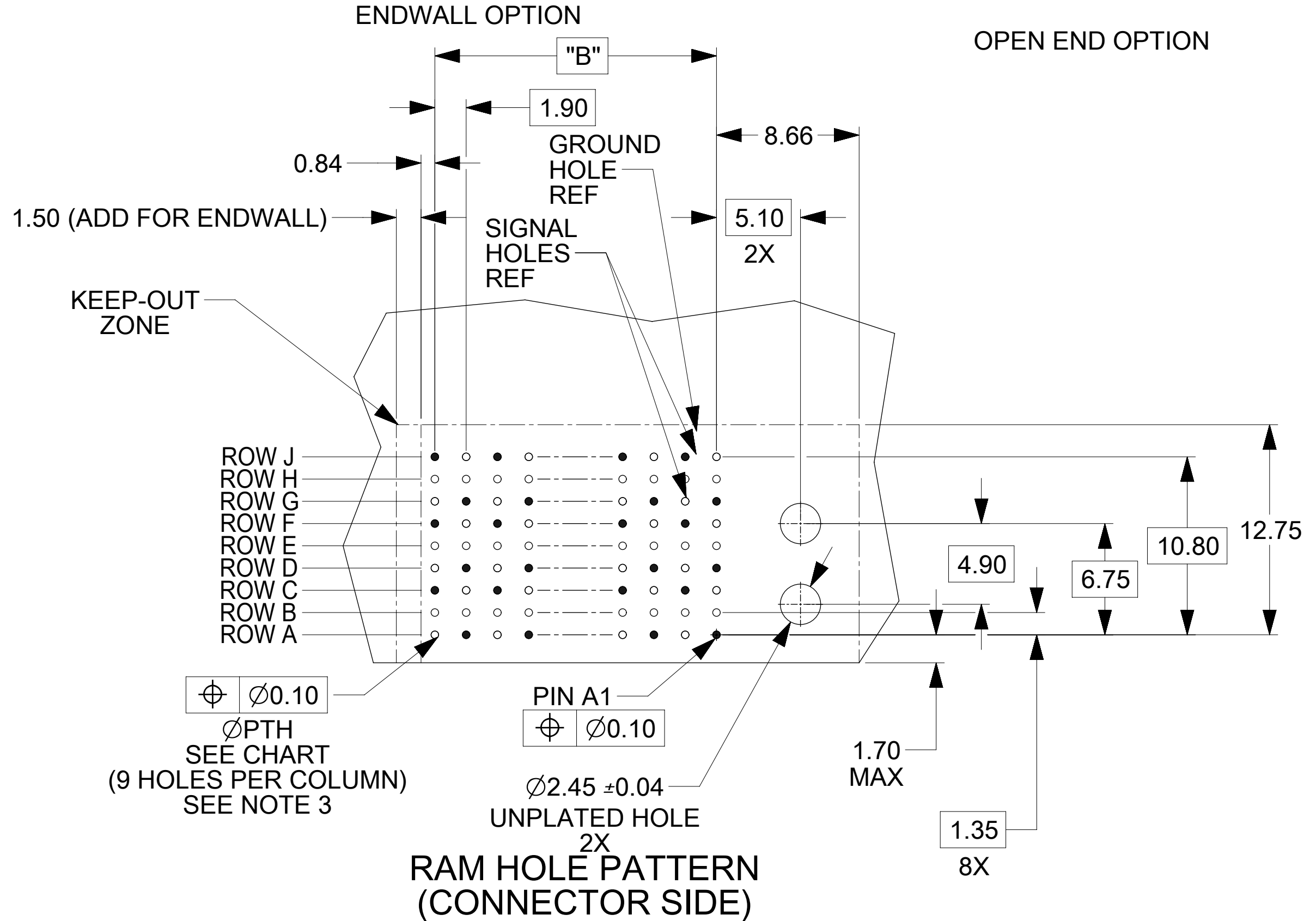
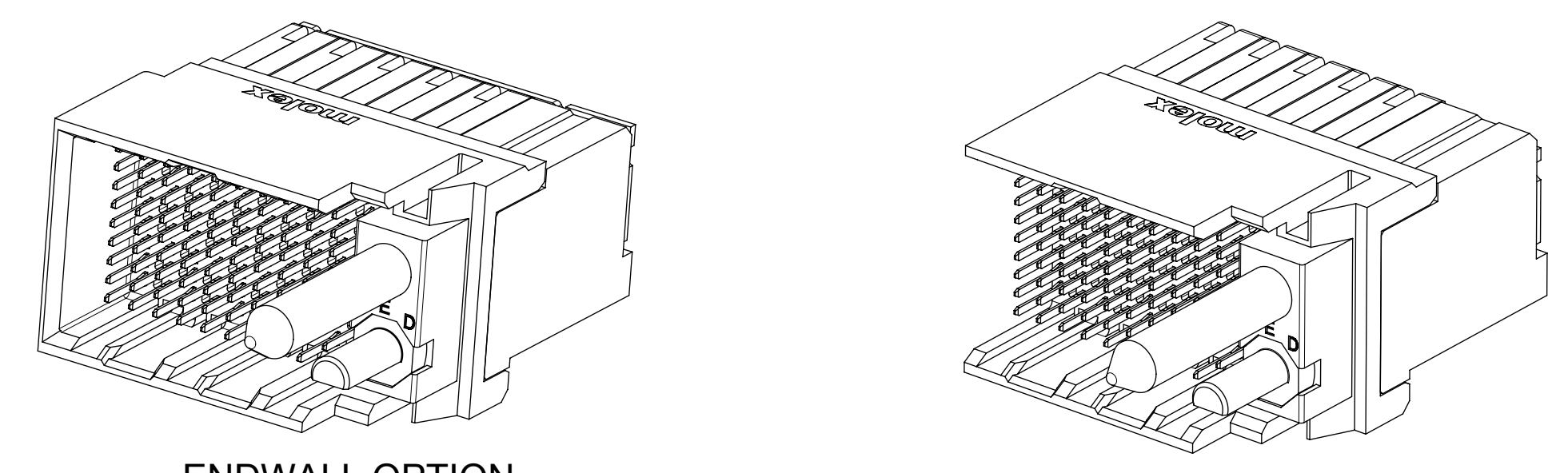
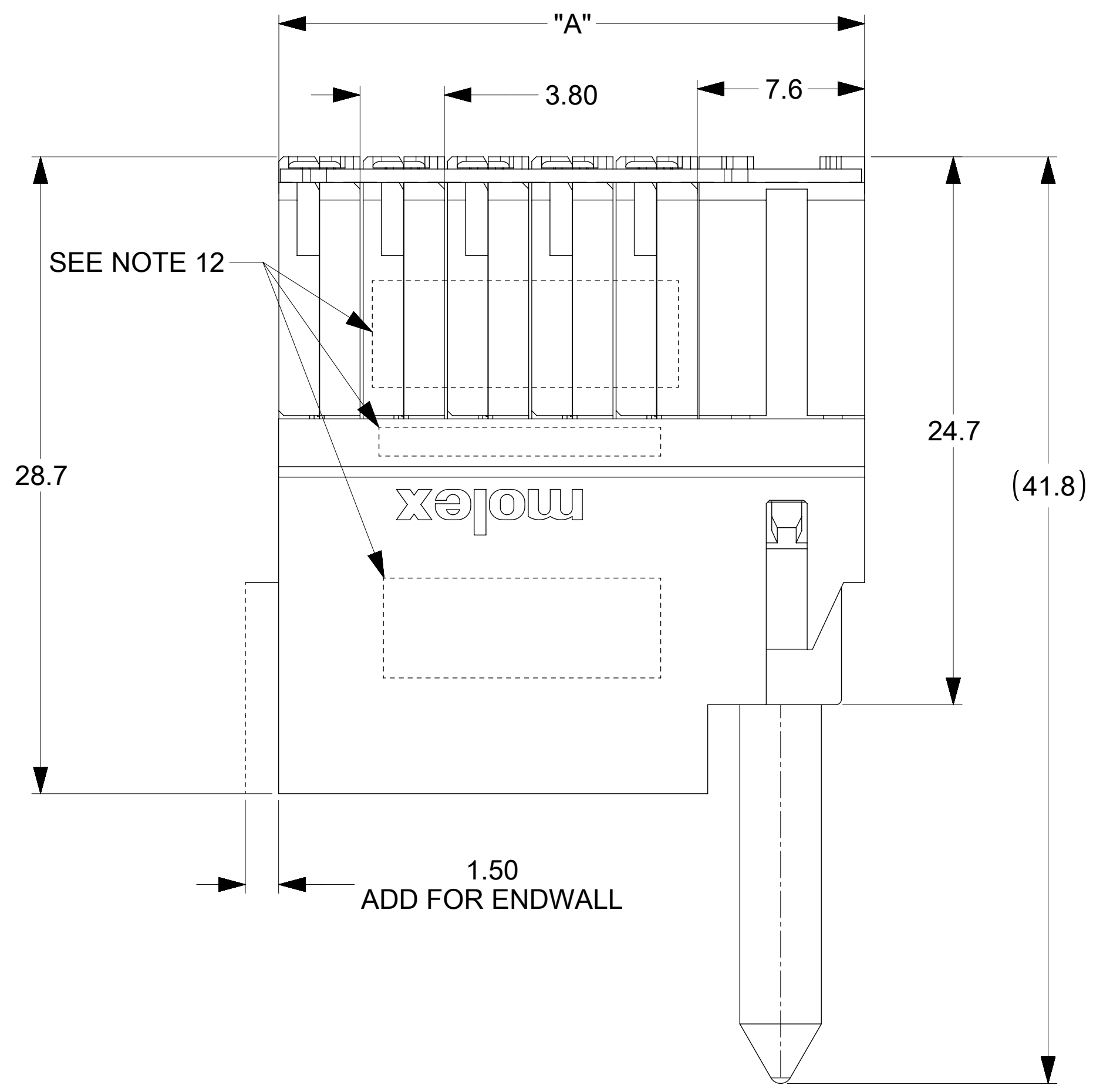
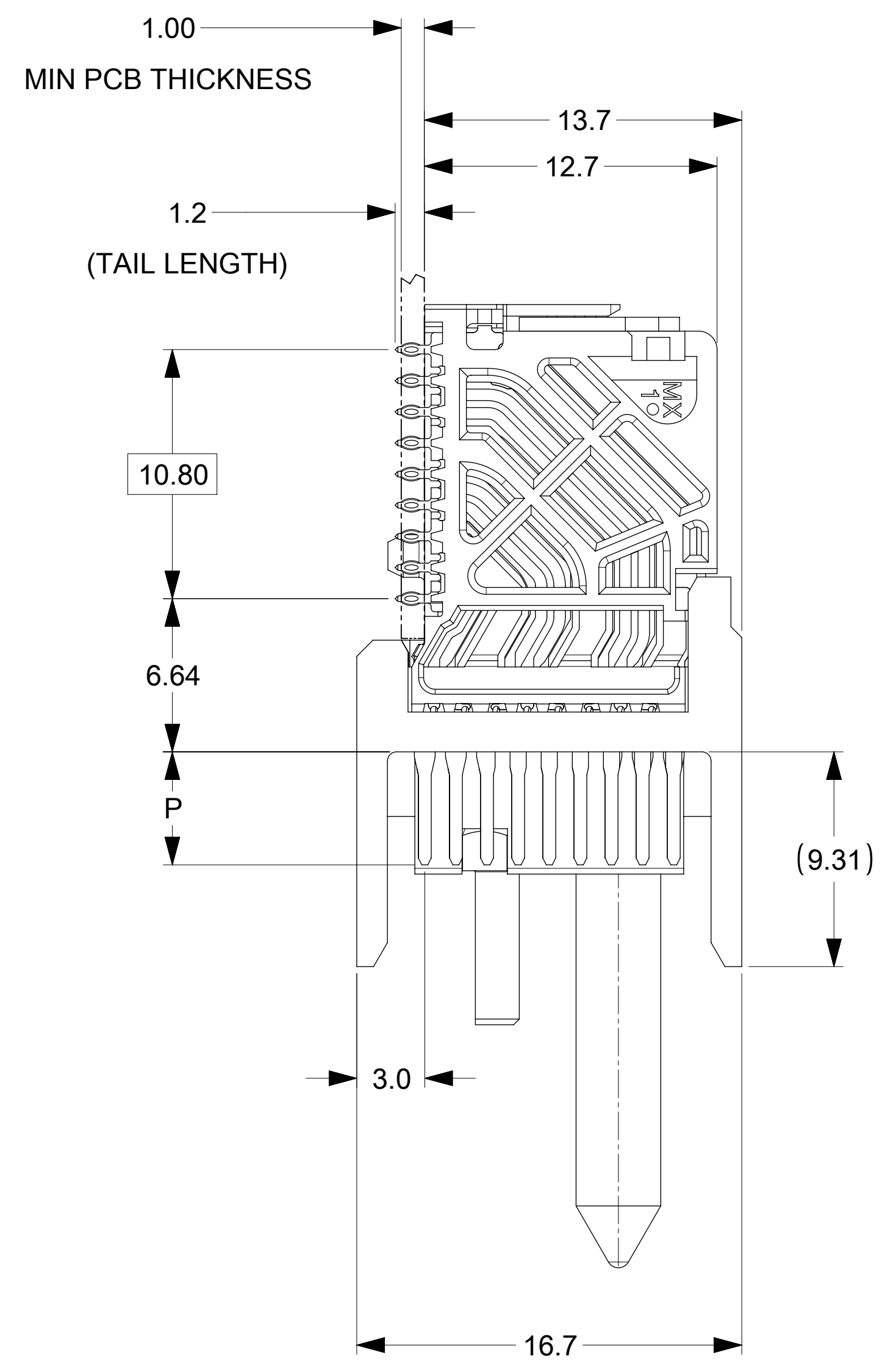
MODULE & TAIL PLATING TYPE
 5 = RIGHT GUIDED LEAD-FREE
 9 = RIGHT GUIDED LEAD-FREE W/ ENDWALL

PIN LENGTH (P)
 4 = 4.90 (0.46 PTH)
 5 = 5.50 (0.46 PTH)
 7 = 4.90 (0.39 PTH)
 8 = 5.50 (0.39 PTH)

OF COLUMNS
 1 = 10 COL
 4 = 14 COL
 6 = 16 COL
 8 = 8 COL

POLARIZATION KEY ORIENTATION
 0 = NO KEY
 1 = A 5 = E
 2 = B 6 = F
 3 = C 7 = G
 4 = D 8 = H

- NOTES:
- MATERIALS: HOUSING - LIQUID CRYSTAL POLYMER (LCP), GLASS-FILLED, UL94V-0
 TERMINALS - HIGH PERFORMANCE COPPER ALLOY
 - FINISH: 30uIN SELECTIVE GOLD IN CONTACT AREA, SELECTIVE TIN ON PCB TAILS. NICKEL OVERALL.
 - REFER TO MOLEX PRODUCT SPECIFICATION PS-76060-999 FOR PERFORMANCE SPECIFICATIONS AND ADDITIONAL PCB INFORMATION.
 - EACH SIGNAL WAFER CONTAINS 2 COLUMNS OF TERMINALS.
 - PRODUCT IS PACKAGED PER PK-70873-762.
 - THIS PART CONFORMS TO CLASS B REQUIREMENTS OF COSMETIC SPEC PS-45499-002.
 - REFER TO MOLEX SALES DRAWING SD-76170-002 FOR THE MATING RECEPTACLES.
 - REFER TO MOLEX PCB ROUTING GUIDE AS-76060-990 FOR ANTIPAD AND ROUTING RECOMMENDATIONS.
 - MOLEX TO SUPPLY #2-23 SCREW 73726-0000.FOR BOARD THICKNESS AND OTHER SCREW INFORMATION REFER TO IMPACT BACKPLANE SYSTEM SCREW DESIGN GUIDE AS-76060-9999.
 - GUIDE RIGHT RAM MATES WITH A GUIDE LEFT DAUGHTERCARD.
 - OPEN END VERSION SHOWN FOR CLARITY.
 - MARKING: LOCATED APPROXIMATELY AS SHOWN. PART NUMBER AND DATE CODE.

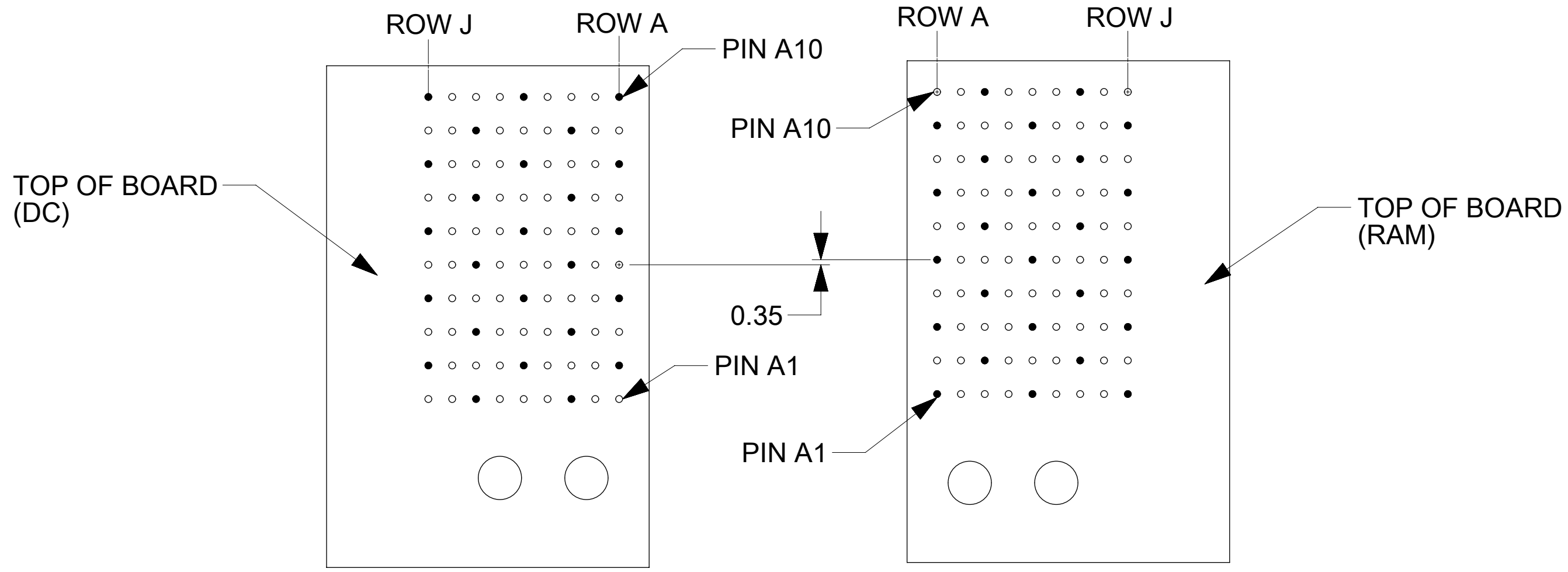
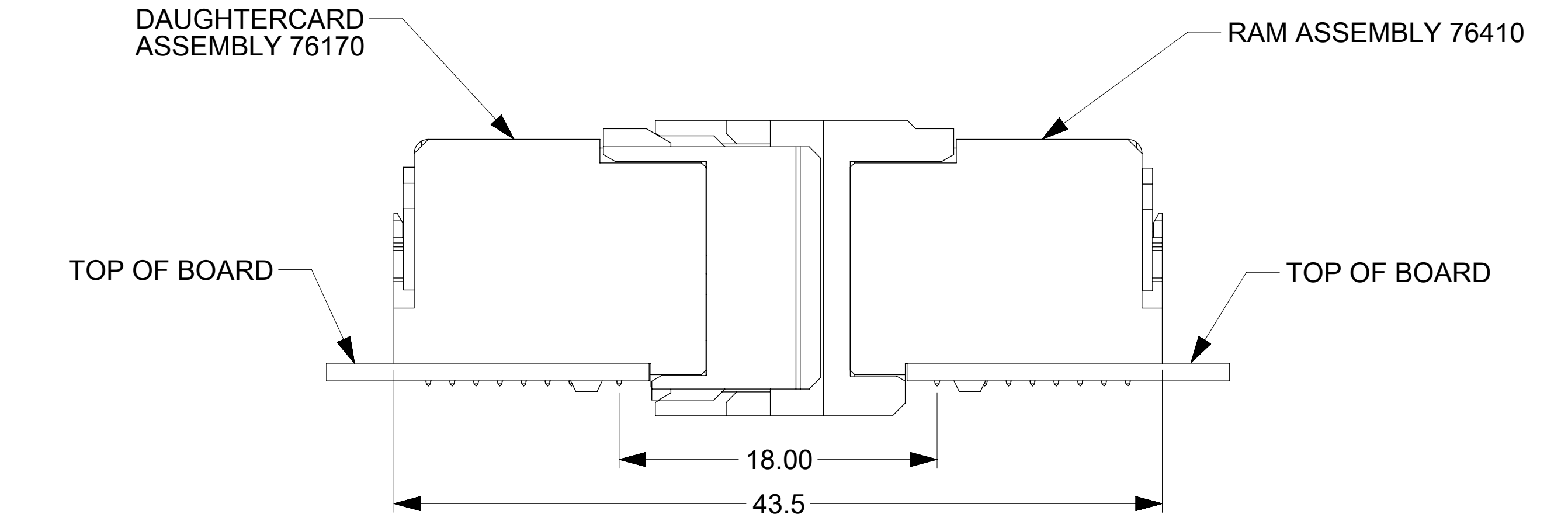


THIS DRAWING CONTAINS INFORMATION THAT IS PROPRIETARY TO MOLEX ELECTRONIC TECHNOLOGIES, LLC AND SHOULD NOT BE USED WITHOUT WRITTEN PERMISSION

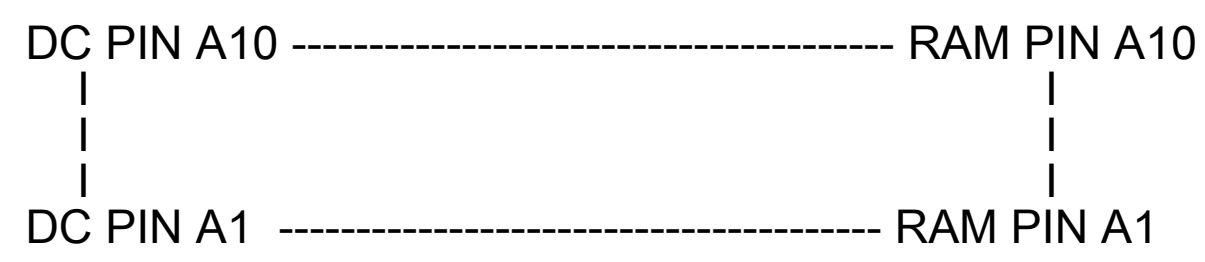
DIMENSION UNITS: mm	SCALE: NTS	CURRENT REV DESC: CHANGE SCREW P/N	molex		
GENERAL TOLERANCES (UNLESS SPECIFIED)					
ANGULAR TOL: \pm 0.5°	4 PLACES: \pm	3 PLACES: \pm	PRODUCT CUSTOMER DRAWING		
2 PLACES: \pm 0.13	1 PLACE: \pm 0.25	0 PLACES: \pm	DOCUMENT NUMBER: SD-76410-004		
DRAFT WHERE APPLICABLE MUST REMAIN WITHIN DIMENSIONS			DOC TYPE: PSD	DOC PART: 001	REVISION: F3
THIRD ANGLE PROJECTION	DRAWING: D-SIZE	SERIES: 76410	MATERIAL NUMBER: SEE TABLE	CUSTOMER: GENERAL MARKET	SHEET NUMBER: 1 OF 2

EC NO: 623439
 DRWN: JSGOH01 2019/08/30
 CHK'D: SHONG 2019/09/16
 APPR: SHONG 2019/09/16
 INITIAL REVISION:
 DRWN: JLAURX 2008/10/23
 APPR: JLAURX 2008/10/27

COPLANAR APPLICATION



COPLANAR MATED SIGNAL PATHS



THIS DRAWING CONTAINS INFORMATION THAT IS PROPRIETARY TO MOLEX ELECTRONIC TECHNOLOGIES, LLC AND SHOULD NOT BE USED WITHOUT WRITTEN PERMISSION									
DIMENSION UNITS		SCALE		CURRENT REV DESC: CHANGE SCREW P/N					
mm		NTS		molex IMPACT 3 PAIR RAM GUIDE RIGHT SIGNAL MODULE SALES DWG PRODUCT CUSTOMER DRAWING					
GENERAL TOLERANCES (UNLESS SPECIFIED)									
ANGULAR TOL		± 0.5°		EC NO: 623439		2019/08/30		DOCUMENT NUMBER	
4 PLACES		±		DRWN: JSGOH01		2019/09/16		SD-76410-004	
3 PLACES		±		CHK'D: SHONG		2019/09/16		DOC TYPE	
2 PLACES		± 0.13		APPR: SHONG		2019/09/16		DOC PART	
1 PLACE		± 0.25		INITIAL REVISION:		2008/10/23		REVISION	
0 PLACES		±		DRWN: JLAURX		2008/10/27		F3	
DRAFT WHERE APPLICABLE MUST REMAIN WITHIN DIMENSIONS		THIRD ANGLE PROJECTION		DRAWING		SERIES		MATERIAL NUMBER	
				C-SIZE		76410		CUSTOMER	
								GENERAL MARKET	
								SHEET NUMBER	
								2 OF 2	