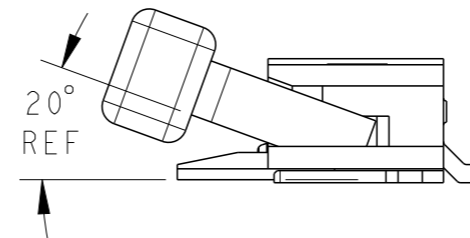
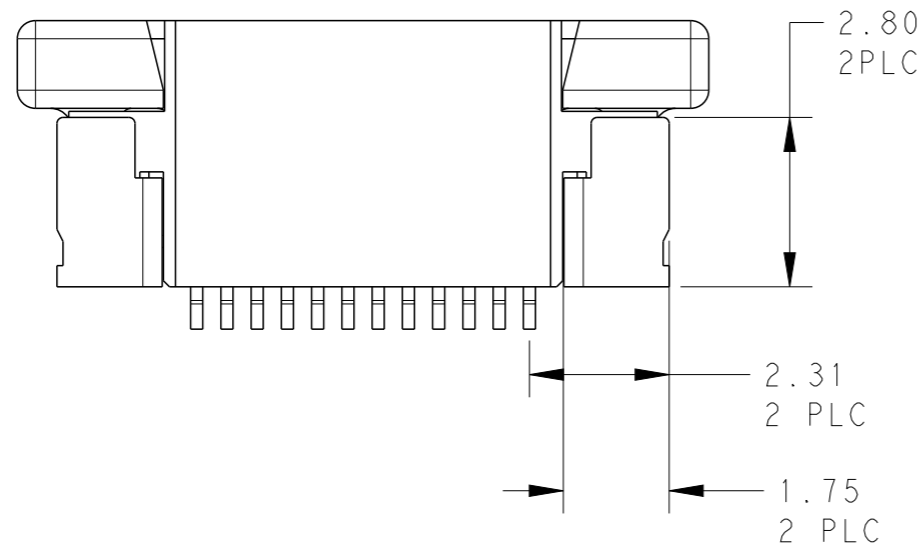
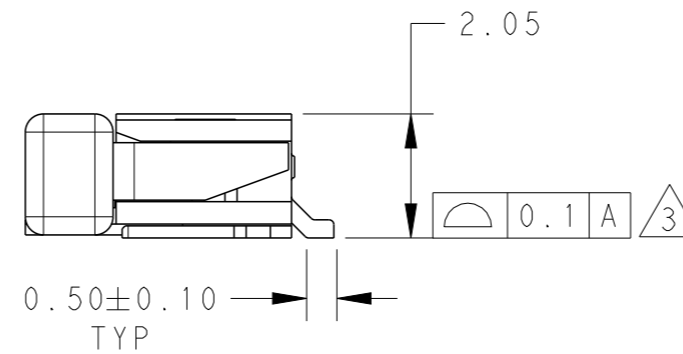
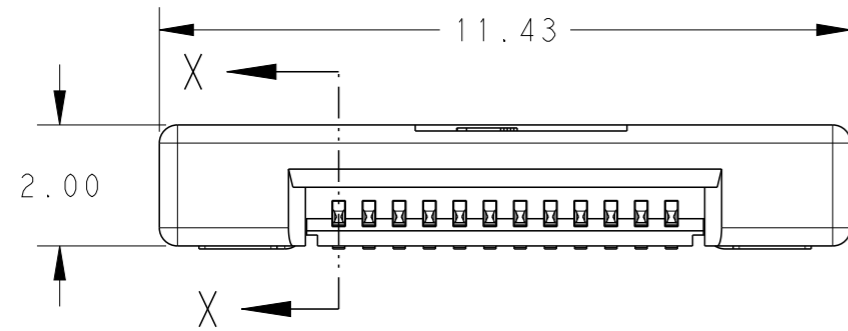
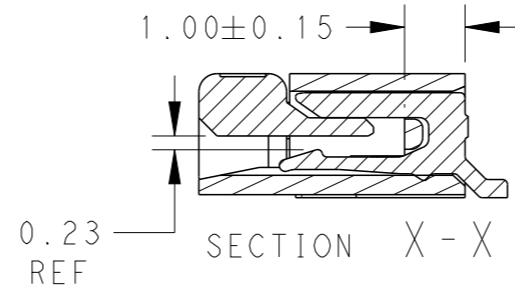
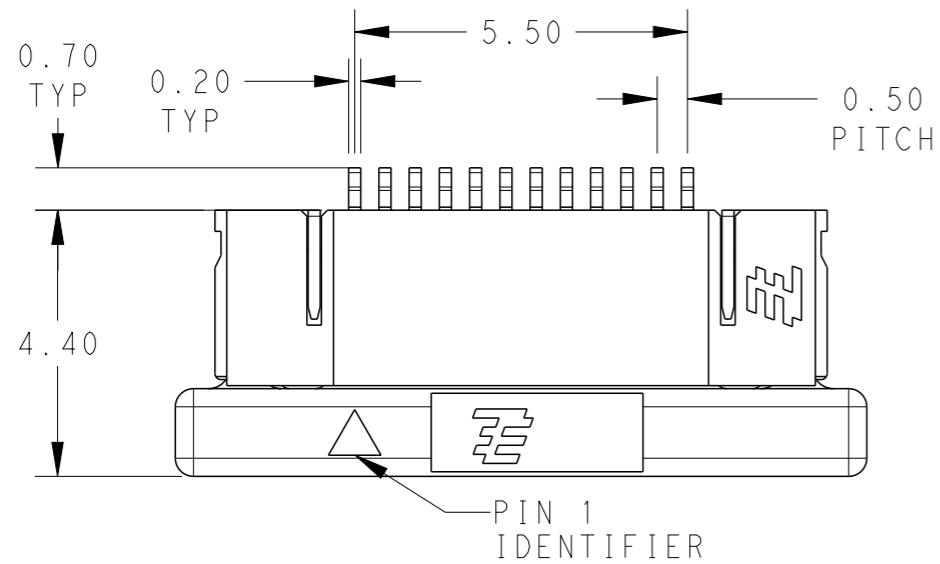
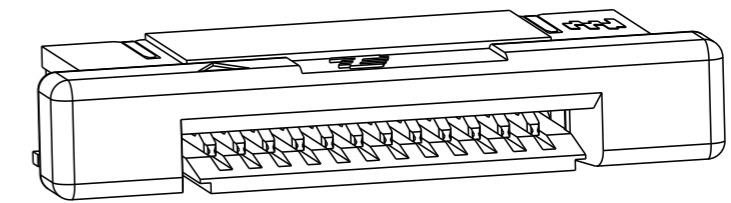


P	LTR	DESCRIPTION	DATE	DWN	APVD
	B2	REVISED BY ECR-20-009210	09DEC2020	H. X	W. H





NOTES:

- 1 MATERIAL:
 - HOUSING : HIGH TEMP. THERMOPLSATIC, UL94 V-0
 - COLOUR : NATURAL
 - ACTUATOR : HIGH TEMP. THERMOPLSATIC, UL94 V-0
 - COLOUR : BLACK
 - CONTACT : COPPER ALLOY
 - SOLDER PEG : COPPER ALLOY
- 2 FINISH:
 - CONTACT :
 - UNDERPLATE : 1.27um MIN. NICKEL PLATING
 - OVERPLATE : 0.05um MIN SELECTIVE GOLD FLASH OVER CONTACT ON MATING AND SOLDER TAIL AREA.
 - SOLDER PEG :
 - UNDERPLATE : 1.27um MIN. NICKEL PLATING
 - OVERPLATE : 2.54um MIN MATTE TIN
- 3 SOLDER TAILS AND SOLDER PEG COPLANARITY : 0.1mm MAX
- 4. PACKAGING SPECIFICATION: TAPE AND REEL
PRIMARY PACK QTY: 1800PCS/REEL
- 5. OBSOLETE PART: 1-1735842-2

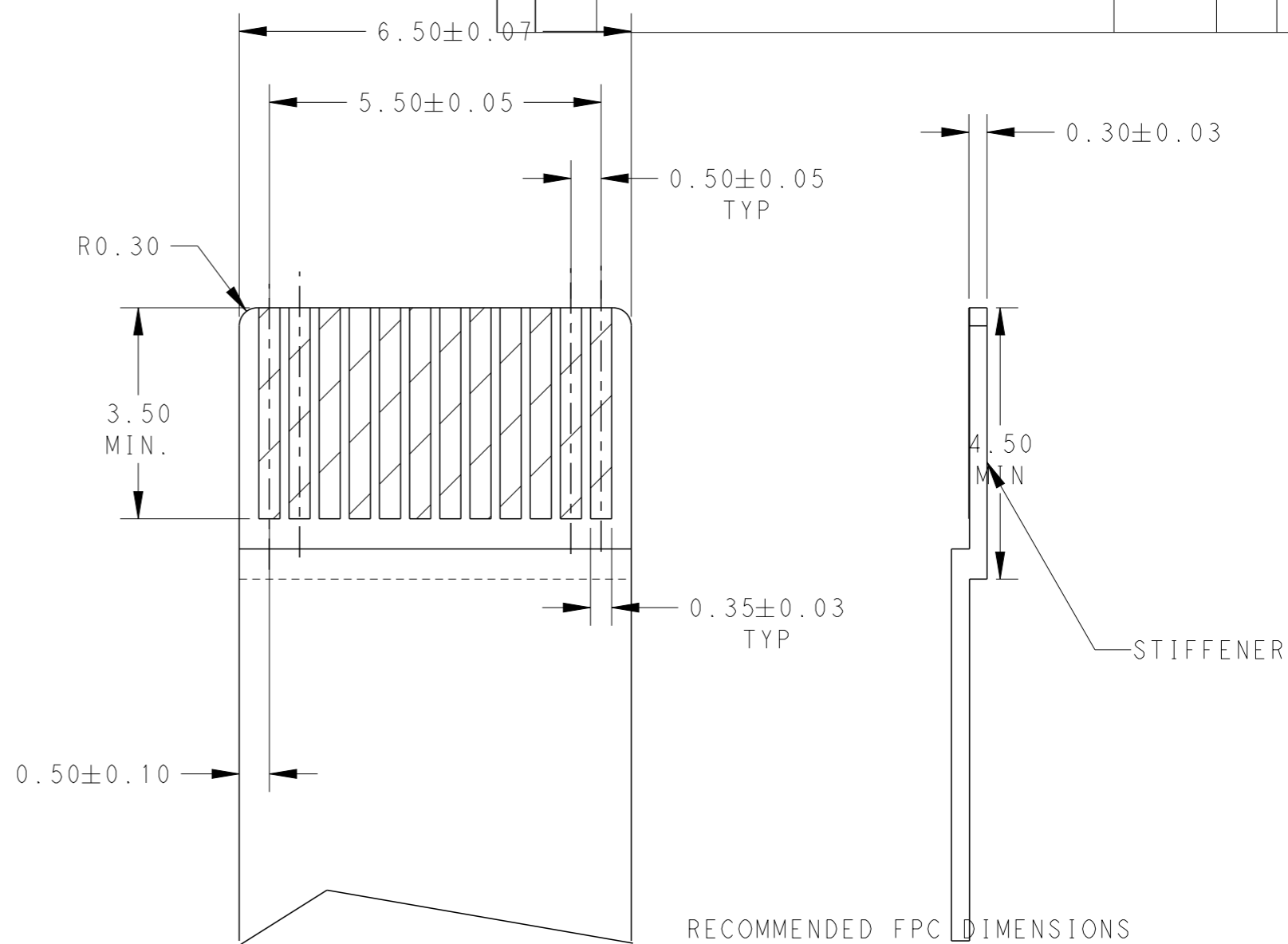
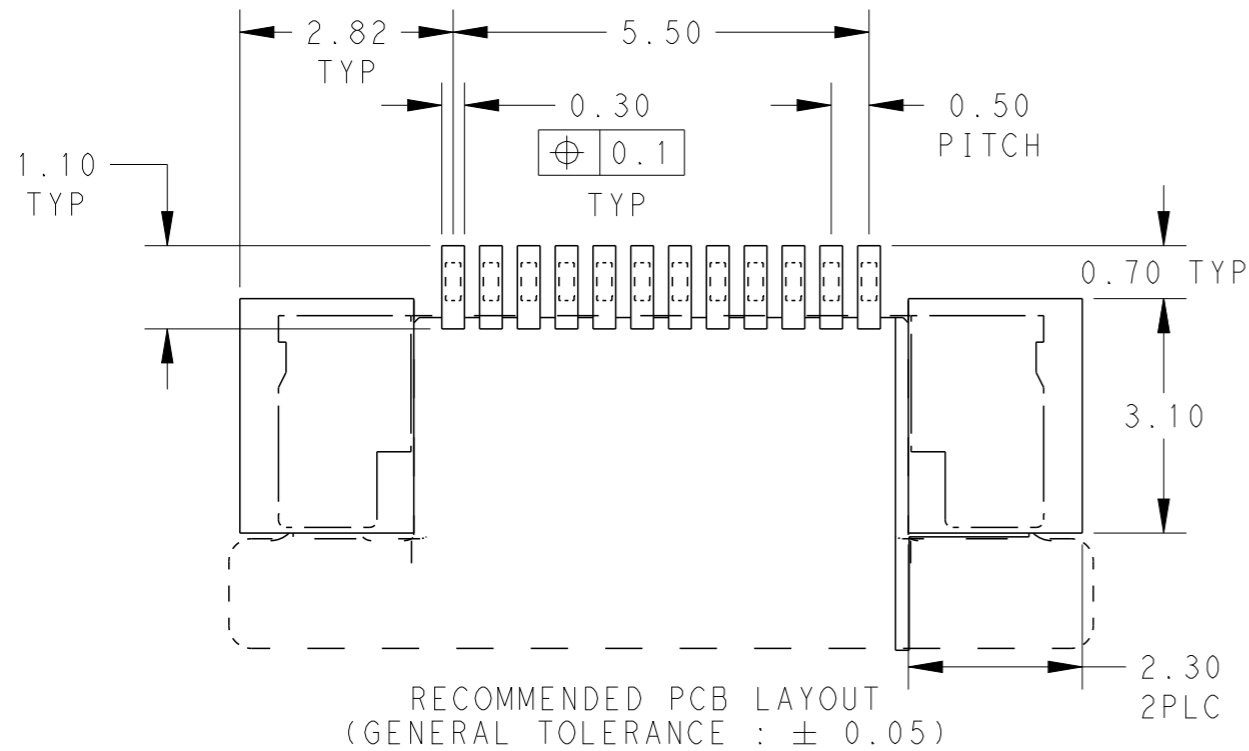


ISOMETRIC VIEW

1-1735842-2 AS SHOWN

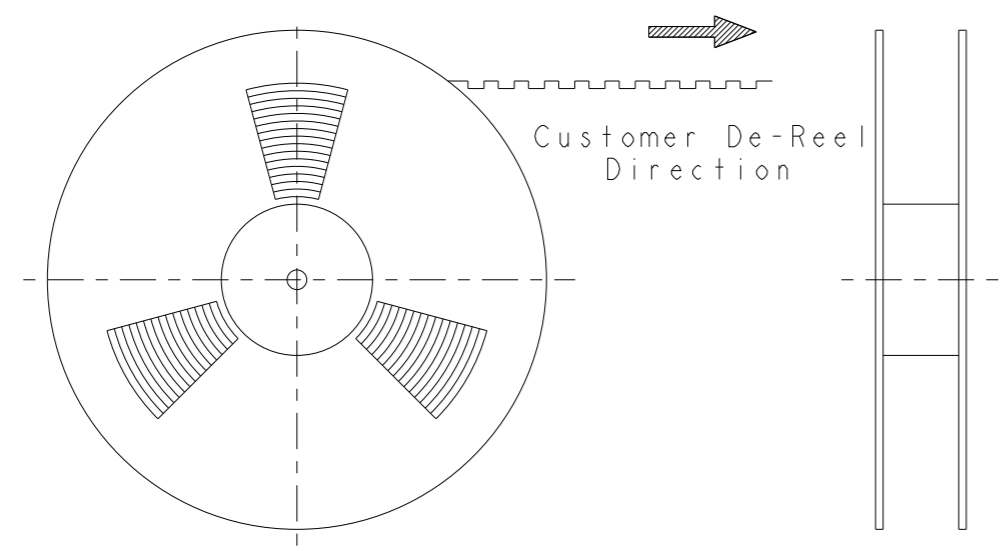
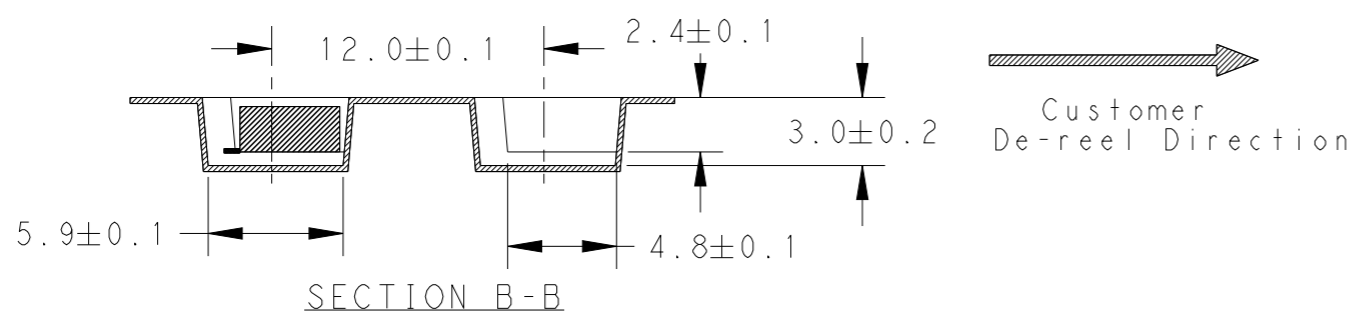
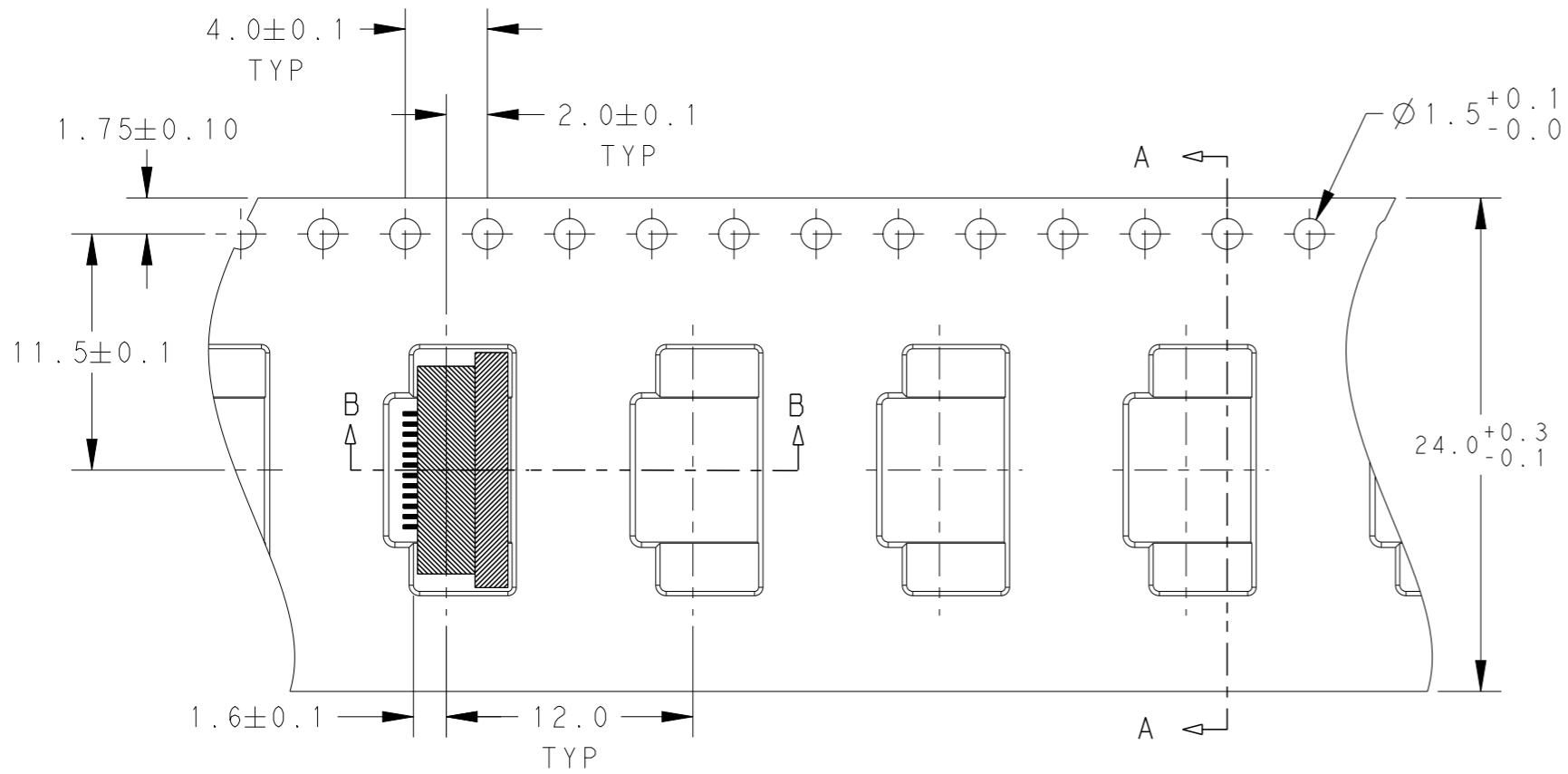
THIS DRAWING IS A CONTROLLED DOCUMENT.		DWN	10MAR2010	 TE Connectivity	NAME ASSEMBLY, 0.5mm PITCH FPC BOTTOM CONTACT, SMT TYPE		
DIMENSIONS:		CHK	10MAR2010				
mm	TOLERANCES UNLESS OTHERWISE SPECIFIED:	APVD	03MAY2010				
	0 PLC ±- 1 PLC ±0.1 2 PLC ±0.1 3 PLC ±0.1 4 PLC ±- ANGLES ±1°	PRODUCT SPEC	108-51107				
MATERIAL	FINISH	APPLICATION SPEC	-	SIZE	CAGE CODE	DRAWING NO	RESTRICTED TO
-	-	WEIGHT	-	A3	00779	1735842	-
CUSTOMER DRAWING				SCALE	8:1	SHEET	1 OF 3
						REV	B2

P	LTR	DESCRIPTION	DATE	DWN	APVD
		SEE SHEET 1			



THIS DRAWING IS A CONTROLLED DOCUMENT.		DWN	10MAR2010		STE TE Connectivity
		CHK	10MAR2010		
		APVD	03MAY2010		
		NAME	SIFLEONG		
DIMENSIONS: mm		TOLERANCES UNLESS OTHERWISE SPECIFIED:		ASSEMBLY, 0.5mm PITCH FPC BOTTOM CONTACT, SMT TYPE	
		0 PLC ± -		-	
		1 PLC ± 0.1		-	
		2 PLC ± 0.1		-	
		3 PLC ± 0.1		-	
		4 PLC ± -		-	
		ANGLES ± -		± 1°	
MATERIAL		FINISH		-	
				-	
		WEIGHT		-	
		CUSTOMER DRAWING		SCALE 8:1 SHEET 2 OF 3 REV B2	
		SIZE A3		CAGE CODE 00779	
		DRAWING NO		G= 1735842	
		RESTRICTED TO		-	

P	LTR	DESCRIPTION	DATE	DWN	APVD
		SEE SHEET 1			



THIS DRAWING IS A CONTROLLED DOCUMENT.

DIMENSIONS: mm	TOLERANCES UNLESS OTHERWISE SPECIFIED:
	0 PLC ± -
	1 PLC ± 0.1
	2 PLC ± 0.1
	3 PLC ± 0.1
	4 PLC ± -
	ANGLES ± 1°
MATERIAL	FINISH
-	-

DWN	10MAR2010
VINCENT TAN	
CHK	10MAR2010
VINCENT TAN	
APVD	03MAY2010
SFLEONG	
PRODUCT SPEC	-
APPLICATION SPEC	-
WEIGHT	-
CUSTOMER DRAWING	

STE TE Connectivity

NAME: ASSEMBLY, 0.5mm PITCH FPC BOTTOM CONTACT, SMT TYPE

SIZE	CAGE CODE	DRAWING NO	RESTRICTED TO
A3	00779	C= 1735842	-

SCALE 8:1 SHEET 3 OF 3 REV B2