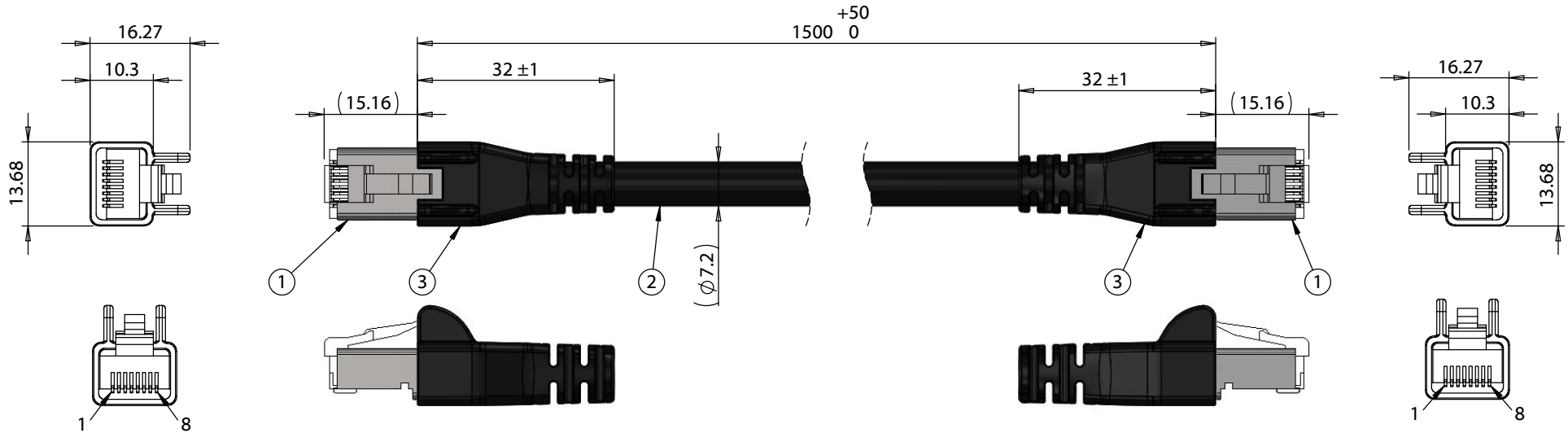


ITEM NO.	PART NUMBER	DESCRIPTION	QTY.	COMPONENT NOTES
1	50-00995	Connector, 8P8C RJ45 plug, IDC, CAT6a, shielded	2	
2	30-01714	Wire, 4PR BC, 26 AWG, CAT6a SF/UTP, UL20387, 300V, 105C, 60C oil, UV, 7.2 mm, shielded, VW-1, PVC	1	
3	24-00362	Overmold, RJ45 plug	2	PVC, black, 60 °C oil and UV resistant



Notes:
 Cable rated for 48 V, 1.5 A
 Temperature: -25 ~ 105 °C
 Signal: Ethernet CAT6a, 10 Gbps

Wire:
 Oil resistant up to 60 °C
 Water resistant up to 75 °C
 UV resistant

Functionally equivalent components may be substituted

Wiring Diagram		
50-00995	wire color	50-00995
1	orange/white	1
2	orange	2
3	green/white	3
4	blue	4
5	blue/white	5
6	green	6
7	brown/white	7
8	brown	8
Shell	shield	Shell

Revision:	Date:	Description:	Prepared:	Notes:	<h1>TENSILITY</h1> tel 1.541.323.3228 800 877.670.7118 fax 1.541.323.4202 web tensility.com
A	5/19/2022	Initial release	Verified:		
			Dimensions are in millimeters. Tolerances: X: ± 0.5 mm X.X: ± 0.3 mm X.XX: ± 0.3 mm	Function test: no open, no short circuit, no intermittent	Size: Part number: A 10-03974
				Description: Cable, 1500 mm, 8P8C 50-00995 RJ45 plug to same, CAT6a patch cable, 26 AWG, 30-01714 wire	

5

4

3

2

1