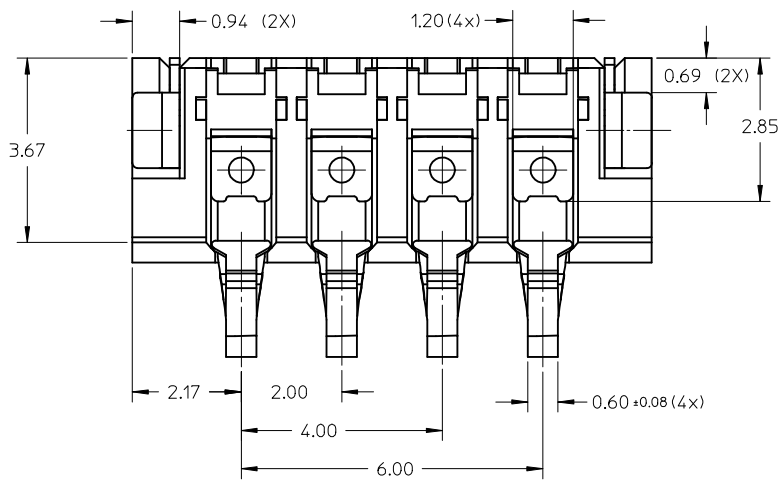
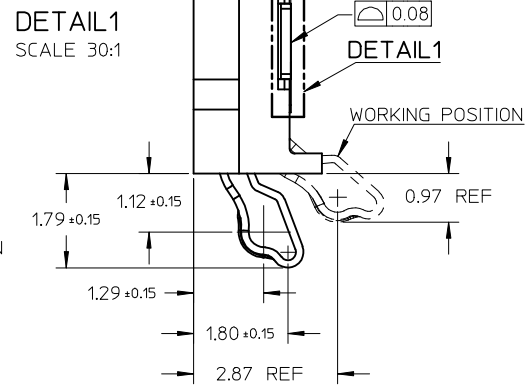
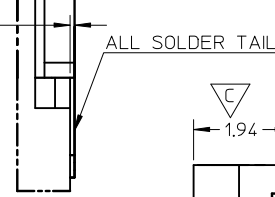
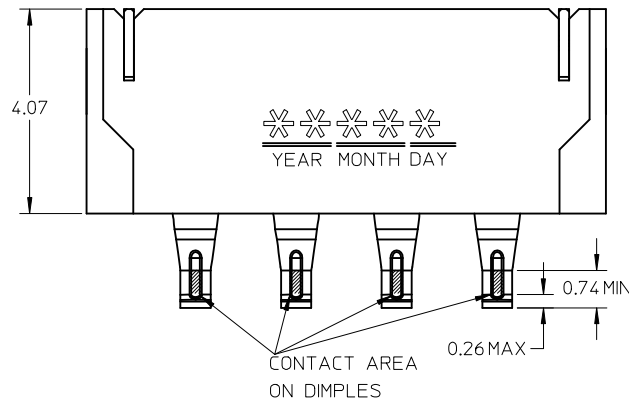
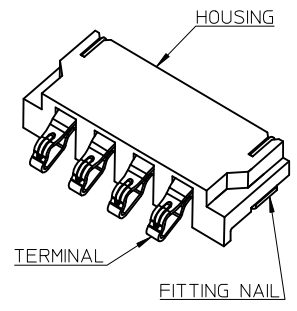
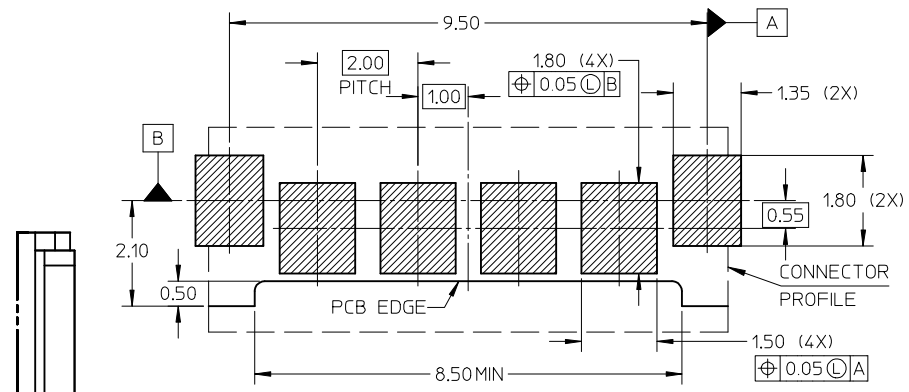
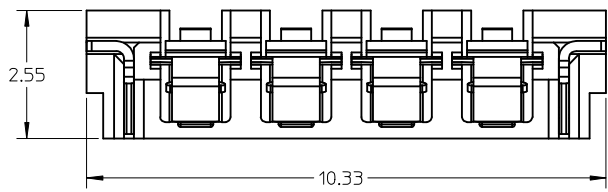


10 9 8 7 6 5 4 3 2 1



- NOTES:
- MATERIAL: TERMINAL : BERYLLIUMCOPPER (BeCu)
HOUSING : LCP, GLASS FILLED, UL94V-0, COLOR:BLACK
FITTING NAIL: BRASS
 - FINISH: TERMINAL:50 μ Min NICKEL UNDERPLATE
30 μ Min GOLD PLATING ON CONTACT AREA
GOLD FLASH PLATING ON SOLDER AREA
FITTING NAIL:100 μ Min TIN ALLOY PLATING OVERALL
50 μ Min NICKEL UNDERPLATE
 - PRODUCT SPECIFICATION: PS-105075-001
 - PACKAGE SPECIFICATION: PK-105075-001
 - COMPLIANT TO RoHS DIRECTIVE 2002/95/EC
AND ELV DIRECTIVE 2000/53/EC.

REVISED	EC NO:	2009/09/08	DESCRIPTION	2009/10/15
	DRWN:TPWU			
	CHKD:			
	APPR:			

QUALITY SYMBOLS	▽=0
	∇=2

GENERAL TOLERANCES (UNLESS SPECIFIED)	mm	INCH	
	4 PLACES	± ---	± ---
	3 PLACES	± ---	± ---
	2 PLACES	± 0.13	± ---
	1 PLACE	± ---	± ---
ANGULAR ± 2 °			
DRAFT WHERE APPLICABLE MUST REMAIN WITHIN DIMENSIONS			

DIMENSION STYLE		SCALE	DESIGN UNITS	THIRD ANGLE PROJECTION
MM ONLY		10:1	METRIC	
DRAWN BY	DATE	TITLE		
YWANG	2008/07/22	4 PIN BATTERY CONNECTOR		
CHECKED BY	DATE	2.0MM PITCH		
YLZHU	2008/07/22	SALES DRAWING		
APPROVED BY	DATE	MOLEX INCORPORATED		
HWANG	2008/07/22	DOCUMENT NO.		
MATERIAL NO.		SHEET NO.		
1050750001		1 OF 1		

MATERIAL NO.		SHEET NO.	
1050750001		1 OF 1	
THIS DRAWING CONTAINS INFORMATION THAT IS PROPRIETARY TO MOLEX INCORPORATED AND SHOULD NOT BE USED WITHOUT WRITTEN PERMISSION			

9 8 7 6 5 4 3 2 1