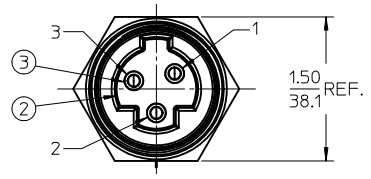
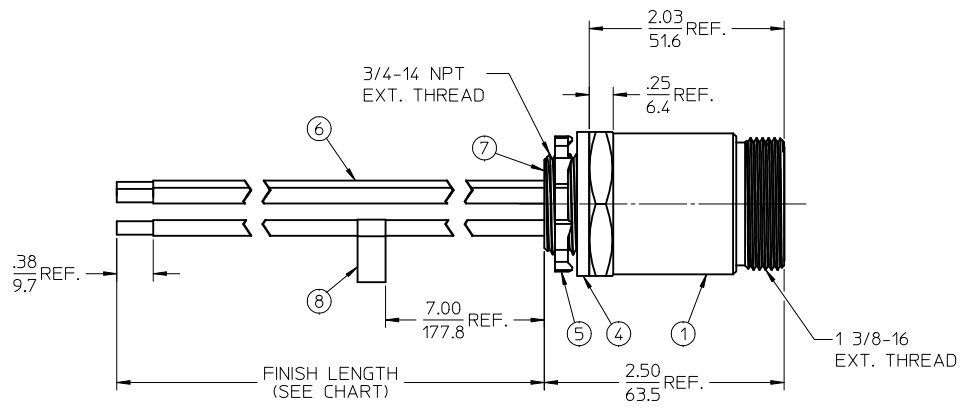
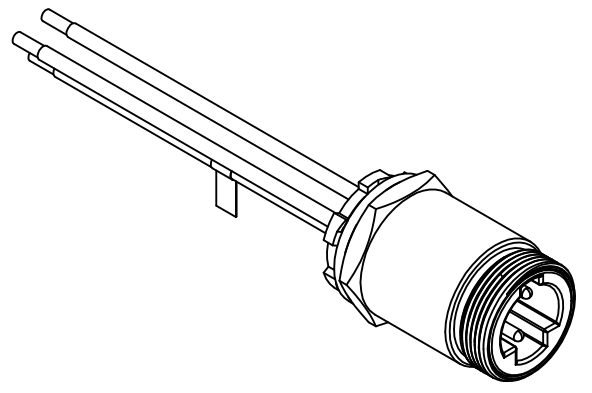
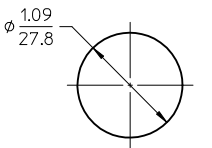


MATERIAL NUMBER	OLD PART NUMBER	FINISH LENGTH
1300660259	CR3D06A30M005	1.64' +1.75"/-0 [0.5M +44.5/-0]



1	BLACK
2	GREEN
3	WHITE

WIRING DIAGRAM



TYPICAL KNOCKOUT

NOTES:

1. MATERIAL: SEE TABLE
2. FINISHES: SEE TABLE
3. PACKAGING: PART IS PACKED IN POLY BAG.
4. FLAG LABEL LOCATED ON GREEN WIRE.
5. MATES WITH: QC 3 POLE FEMALE CABLE ASSEMBLY, ALT. KEY.
6. ELECTRICAL SPECIFICATIONS:
VOLTAGE RATING: 600V AC/DC
CURRENT RATING: 30 AMPS

8	1	FLAG LABEL	VINYL	YELLOW
7	A/R	POTTING	EPOXY	BLACK
6	3	#10-1 WIRE THHN	PVC JACKET	SEE WIRING DIAGRAM
5	1	LOCKNUT	STEEL	ZINC PLATED
4	1	GASKET	NEOPRENE	BLACK
3	3	PIN CONTACT	COPPER ALLOY	GOLD PLATED
2	1	MALE INSERT, 3 POLE	PVC	BLACK
1	1	RECEPTACLE SHELL	ALUMINUM	BLACK ANODIZED
ITEM	QTY.	DESCRIPTION	MATERIAL	FINISH

INITIAL RELEASE	EC NO: MNA2010-0433	DRWN:CLYORK 2010/01/19	CHKD:WOODMAN 2010/01/19	APPR:DTITUS 2010/01/20
DESCRIPTION	QUALITY SYMBOLS			
	▽=0			
	▽=0			
A	REV			

GENERAL TOLERANCES (UNLESS SPECIFIED)	
	IN/MM
4 PLACES	± .005 ± .127
3 PLACES	± .005 ± .127
2 PLACES	± .010 ± .254
1 PLACE	± 0.3 ± 7.62
ANGULAR ±1/2°	
DRAFT WHERE APPLICABLE MUST REMAIN WITHIN DIMENSIONS	

DRAWN BY	DATE
CLYORK	2010/01/18
CHECKED BY	DATE
BWOODMAN	2010/01/19
APPROVED BY	DATE
DTITUS	2010/01/20
MATERIAL NO. SEE CHART	
SIZE C	

SCALE	DESIGN UNITS	THIRD ANGLE PROJECTION
1:1	INCH	
TITLE		
BRAD POWER MALE, 3/4" NPT, 3 POLE, DC RECEPTACLE ASSEMBLY		
MOLEX MOLEX INCORPORATED		
DOCUMENT NO.	SHEET NO.	
SD-130066-062	1 OF 1	
THIS DRAWING CONTAINS INFORMATION THAT IS PROPRIETARY TO MOLEX INCORPORATED AND SHOULD NOT BE USED WITHOUT WRITTEN PERMISSION		