

6

5

4

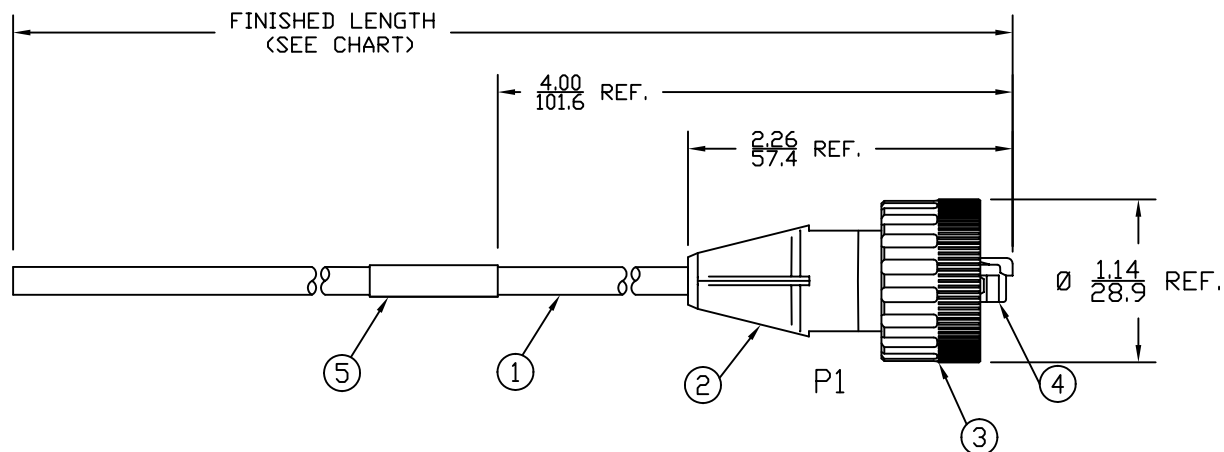
3

2

1

MATERIAL NUMBER	ENGINEERING NO.	LENGTH ± TOLERANCE
1300500112	ENP2105M010	3' 3" +2.19"/-0" [1M +55.6/-0 mm]

AUX VIEW
SCALE 1:4



MALE - FACE VIEW

P1	
WHITE/GREEN	1
GREEN	2
WHITE/ORANGE	3
BLUE	4
WHITE/BLUE	5
ORANGE	6
WHITE/BROWN	7
BROWN	8
SHIELD	SHLD

WIRING DIAGRAM

NOTES:

- 1) MATERIAL: SEE TABLE
- 2) FINISHES: SEE TABLE
- 3) CABLE: #26/8 SHIELDED TWISTED PAIR, PUR
- 4) ELECTRICAL DATA:
ACCORDING TO CAT5e ETHERNET STANDARD
MAX. VOLTAGE: 30V
MAX. CURRENT 1.5A
- 5) ENVIRONMENTAL:
PROTECTION IP67
TEMPERATURE RANGE: -20°C TO +80°C
- 6) WRAP LABEL IS MARKED WITH P/N & DATE CODE.
- 7) ASSEMBLY IS RoHS COMPLIANT.

5	1	LABEL	PLASTIC FILM	BLACK/YELLOW
4	1	RJ45 PLUG	POLYCARBONATE	CLEAR
3	1	COUPLING NUT	ASA	BLACK
2	1	OVERMOLD	PUR	BLACK
1	1	ETHERNET CABLE-CAT5E	PUR JACKET	BLACK
ITEM	QTY.	DESCRIPTION	MATERIAL	FINISH

SD RELEASE EC NO: WNA2010-0432 DRWN: TVICKERS 2010/01/14 CHKD: BWOODMAN APPR: DTTITUS 2010/01/15	QUALITY SYMBOLS ▽=0 ▽=0	GENERAL TOLERANCES (UNLESS SPECIFIED)		DIMENSION STYLE IN/MM		SCALE 1:1	DESIGN UNITS INCH	THIRD ANGLE PROJECTION	
			mm	INCH	DRAWN BY	DATE	TITLE		
		4 PLACES	±---	±---	---	---	INDUSTRIAL ETHERNET ASSY		
		3 PLACES	±---	±.005	---	---	8P MALE 568B WIRING		
2 PLACES	±0.13	±.010	BWOODMAN 2010/01/14		#26/8 SHIELDED CABLE				
1 PLACE	±0.25	±.020	APPROVED BY DATE		MOLEX INCORPORATED				
ANGULAR ±1/2°		DTITUS 2010/01/15		MATERIAL NO.		DOCUMENT NO.	SHEET NO.		
DRAFT WHERE APPLICABLE MUST REMAIN WITHIN DIMENSIONS		SEE CHART		SD-130050-015		1 OF 1			
A		A		THIS DRAWING CONTAINS INFORMATION THAT IS PROPRIETARY TO MOLEX INCORPORATED AND SHOULD NOT BE USED WITHOUT WRITTEN PERMISSION					

6

5

4

3

2

1