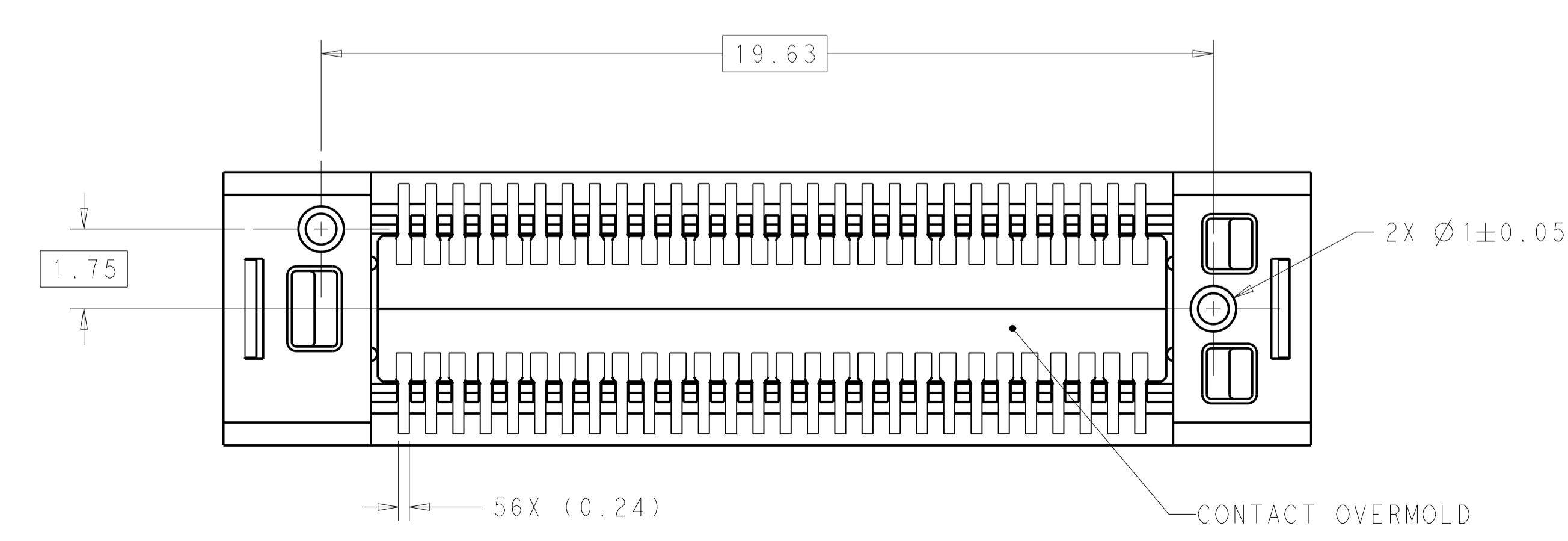
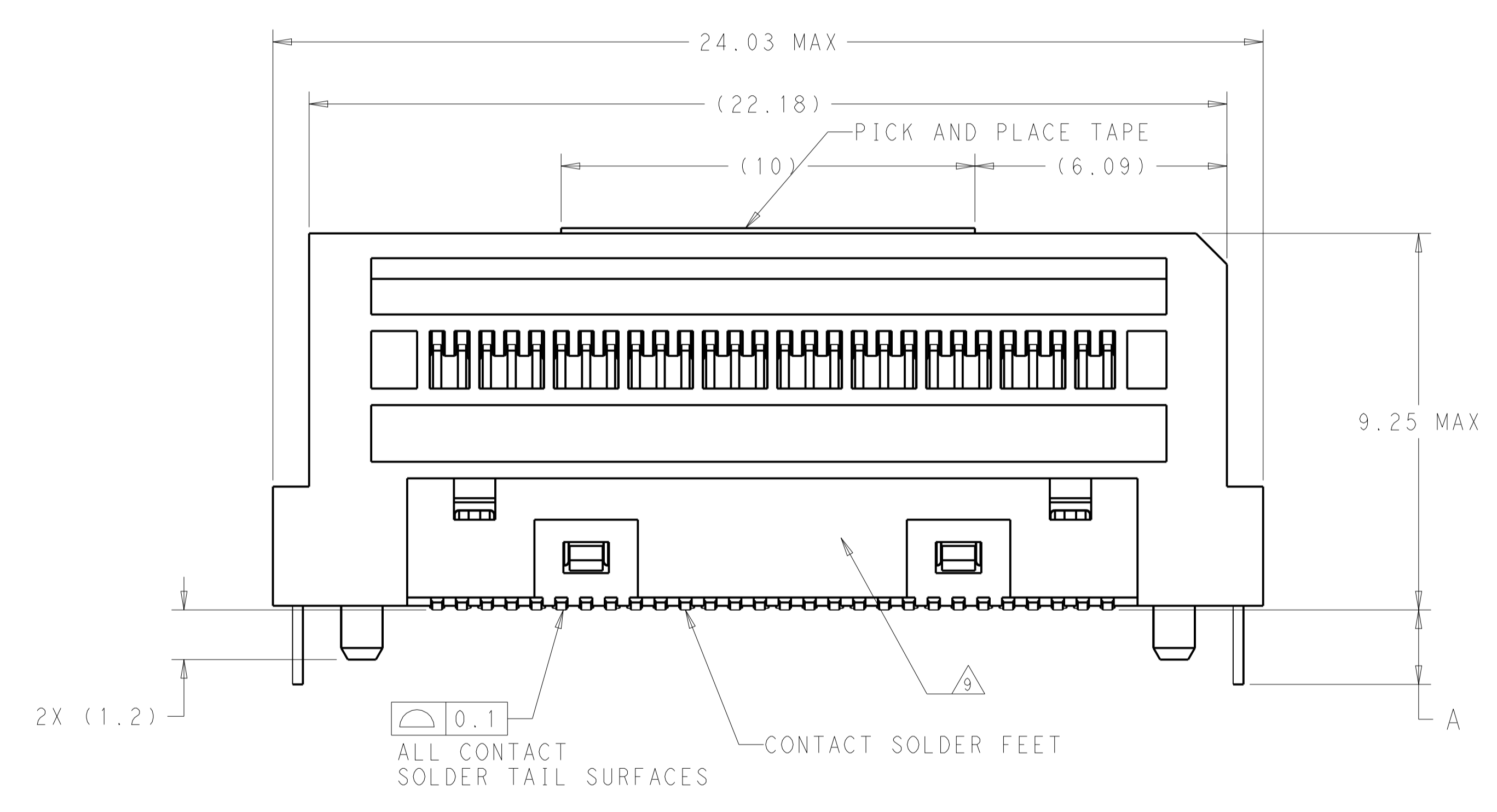
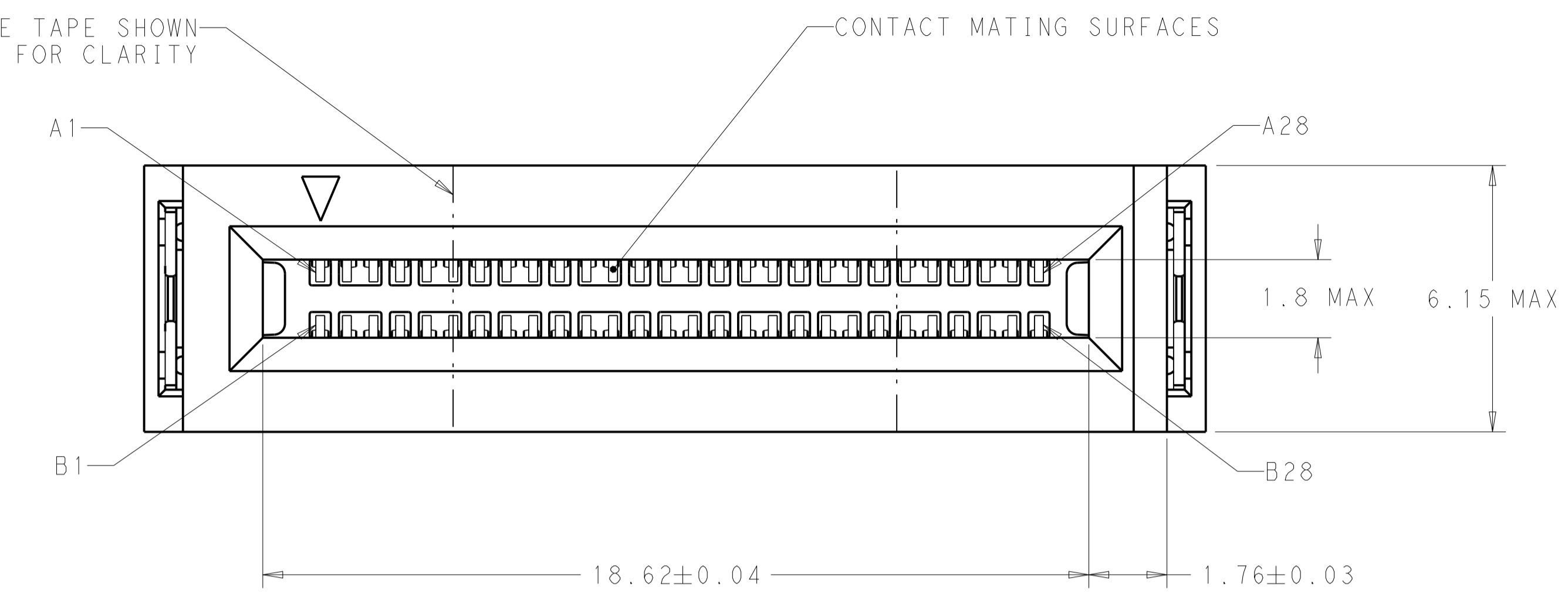
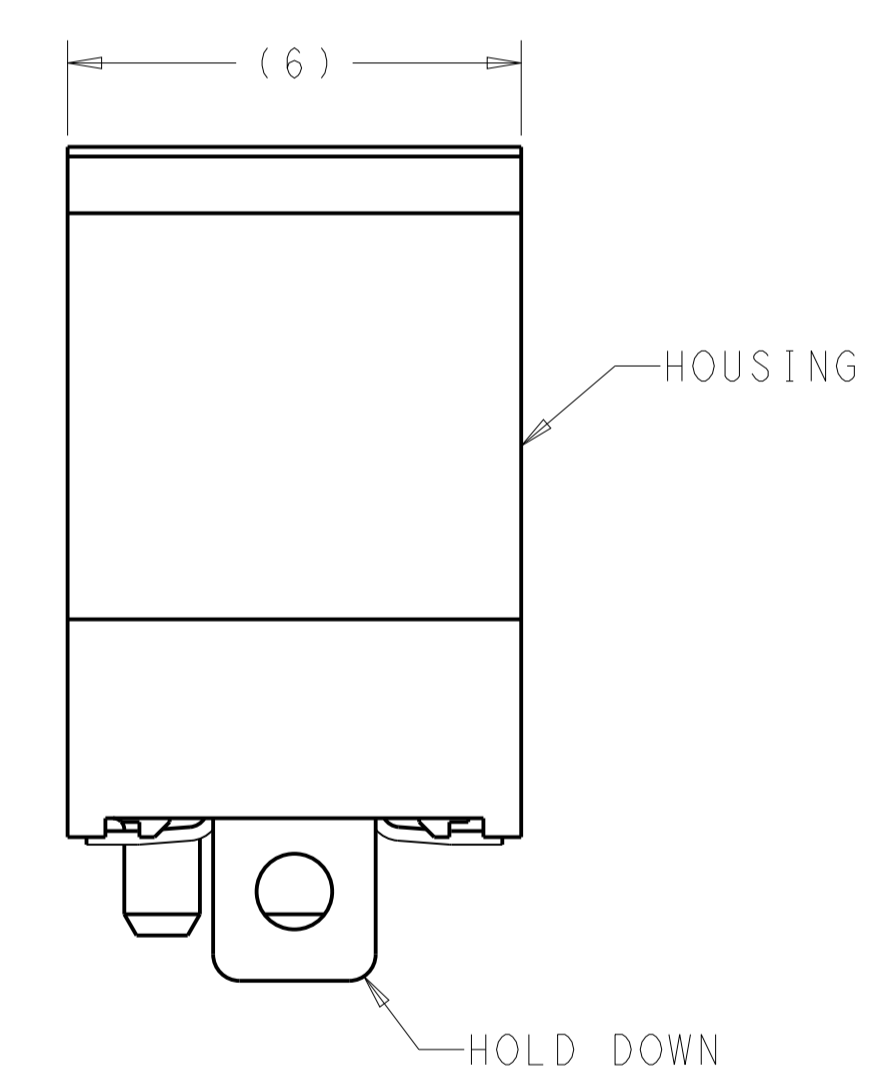


REVISIONS				
P.	LTN	DESCRIPTION	DATE	APVD
A		RELEASED	17MAY2019	CJV JW
B		REVISED PER ECO-19-011736	07AUG2019	AP JW
C		REVISED PER ECO-21-001773	07FEB2021	TX DZ

PICK AND PLACE TAPE SHOWN AS TRANSPARENT FOR CLARITY

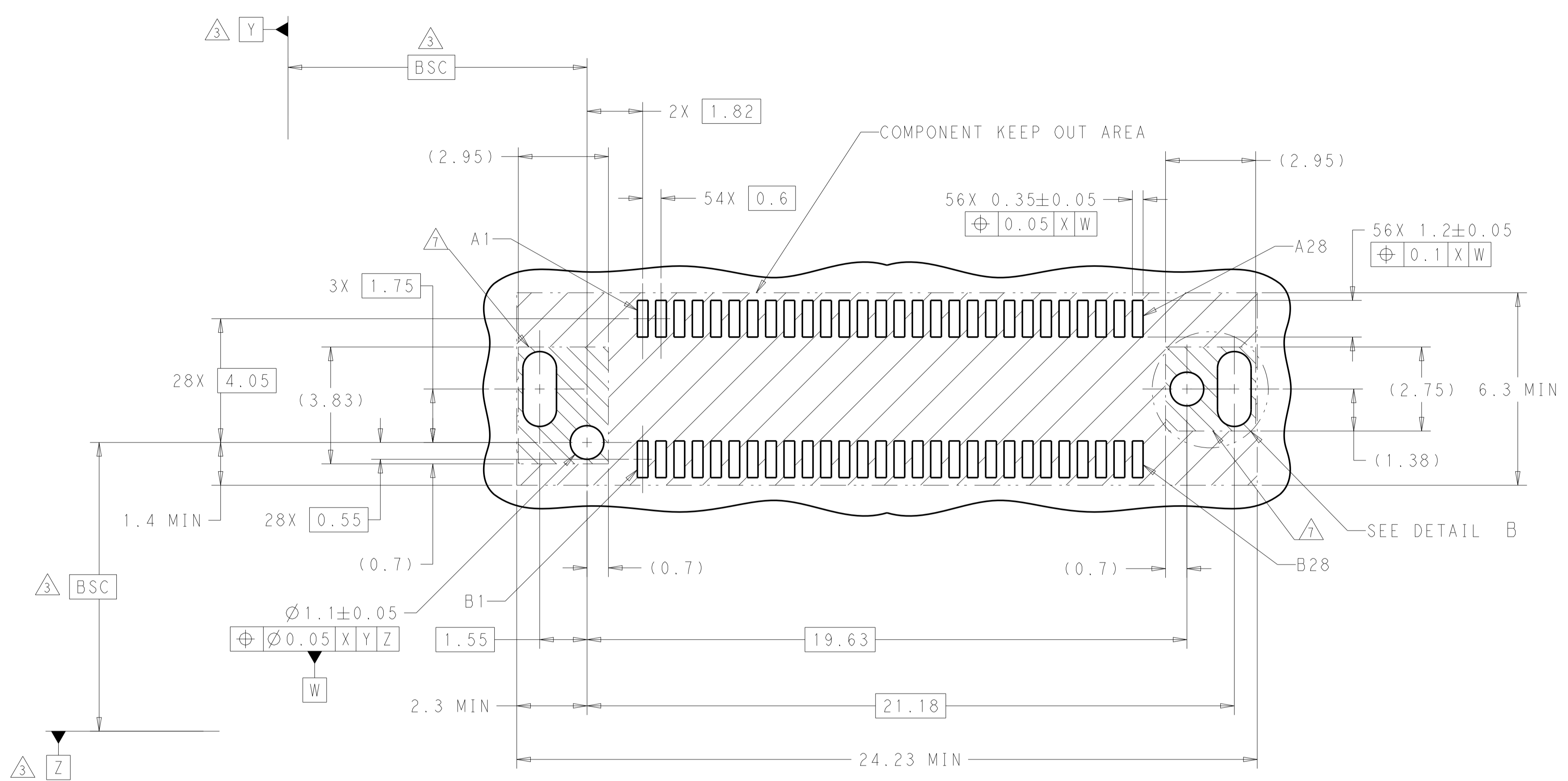


- △ HOUSING AND CONTACT OVERMOLDS - LCP, UL94-V0, BLACK. CONTACTS AND HOLD DOWNS - COPPER ALLOY. PICK AND PLACE TAPE - POLYIMIDE FILM.
- △ CONTACTS - GOLD PLATE ON MATING SURFACES, TIN PLATE ON SOLDER FEET. HOLD DOWNS - TIN PLATE.
- △ DATUMS AND BASIC DIMENSIONS ESTABLISHED BY CUSTOMER.
- 4. MINIMUM HOST PCB THICKNESS: 1.5.
- △ SEE MSA SPECIFICATION FOR ADDITIONAL PADDLE CARD LAYOUTS COMPATIBLE WITH THIS RECEPTACLE AND FOR OPTIONAL SPLIT CONTACT PAD LAYOUTS FOR THE PADDLE CARD. SPECIFICATION PINOUT MAY ALSO DESIGNATE PAD SEQUENCE DIFFERENT FROM ILLUSTRATION.
- △ POSITIONS DESIGNATED AS "SIGNAL" ARE REQUIRED LOCATIONS FOR HIGH SPEED DIFFERENTIAL PAIR SIGNALING. THESE LOCATIONS MAY ALSO BE USED FOR SUPPORTING SIDEBAND SIGNALS OR OTHER UTILITY PURPOSES. POSITIONS DESIGNATED AS "GROUND" ARE REQUIRED WHEN SUPPORTING HIGH SPEED DIFFERENTIAL SIGNALS. THESE LOCATIONS MAY ALSO BE USED FOR SIDEBAND SIGNALS OR OTHER UTILITY PURPOSES.
- △ COMPONENT AND TRACE KEEP OUT AREA. EACH EDGE 0.15 MIN FROM EDGE OF HOLE.
- △ TAPE AND REEL PACKAGED FOR PICK AND PLACE SMT PROCESSING, SEE FIGURE 1. POCKET TAPE WIDTH = 44.
- △ PART NUMBER AND DATE CODE MARKED IN APPROXIMATE AREA SHOWN.

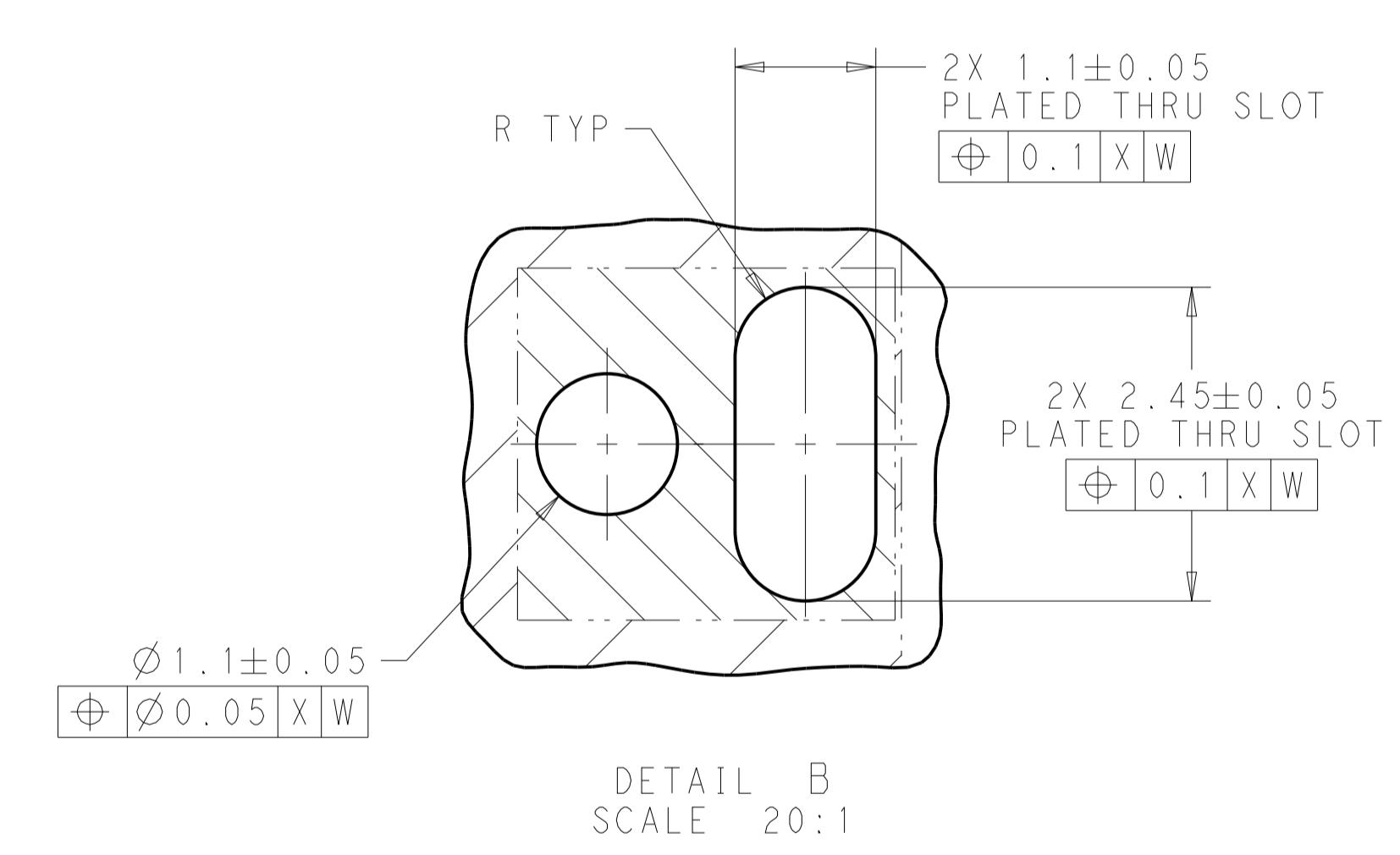


THIS DRAWING IS A CONTROLLED DOCUMENT.		OWN: C. VALENTINE 16JAN2018	TE Connectivity
		CHK: D. HARMON 16JAN2018	
DIMENSIONS: mm		APVD: D. HARMON 16JAN2018	NAME: RECEPTACLE ASSEMBLY, VERTICAL, 56 POSITION, SLIVER 2.0
TOLERANCES UNLESS OTHERWISE SPECIFIED:		PRODUCT SPEC: 108-130021	SIZE: -
0 PLC ±0.25		APPLICATION SPEC: 114-130008	RESTRICTED TO: -
1 PLC ±0.20		WEIGHT: -	SCALE: 10:1
2 PLC ±0.15		CUSTOMER DRAWING	SHEET 1 OF 4
3 PLC ±0.10			REV C
4 PLC ±0.05			
ANGLES ±0.5			
FINISH			

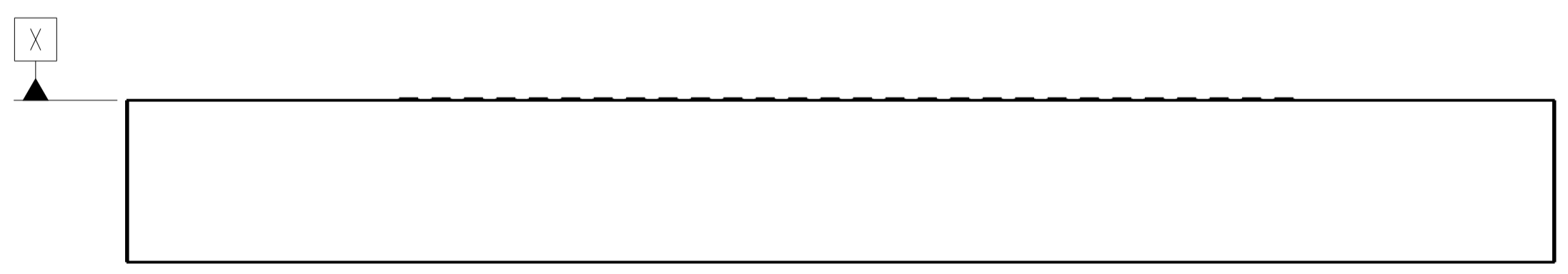
REVISIONS				
P.	LTN	DESCRIPTION	DATE	APVD
-	-	SEE SHEET 1	-	-



RECOMMENDED PCB LAYOUT AND KEEP OUT AREA

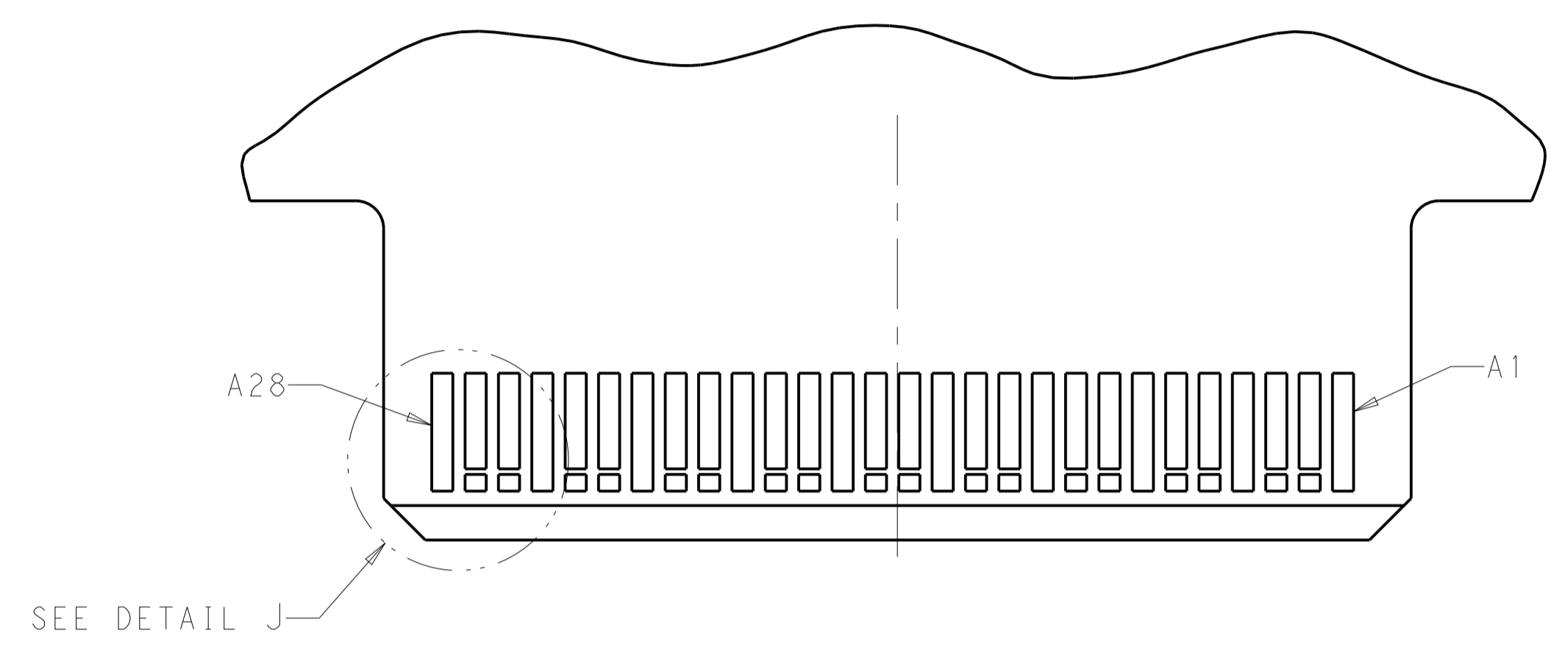
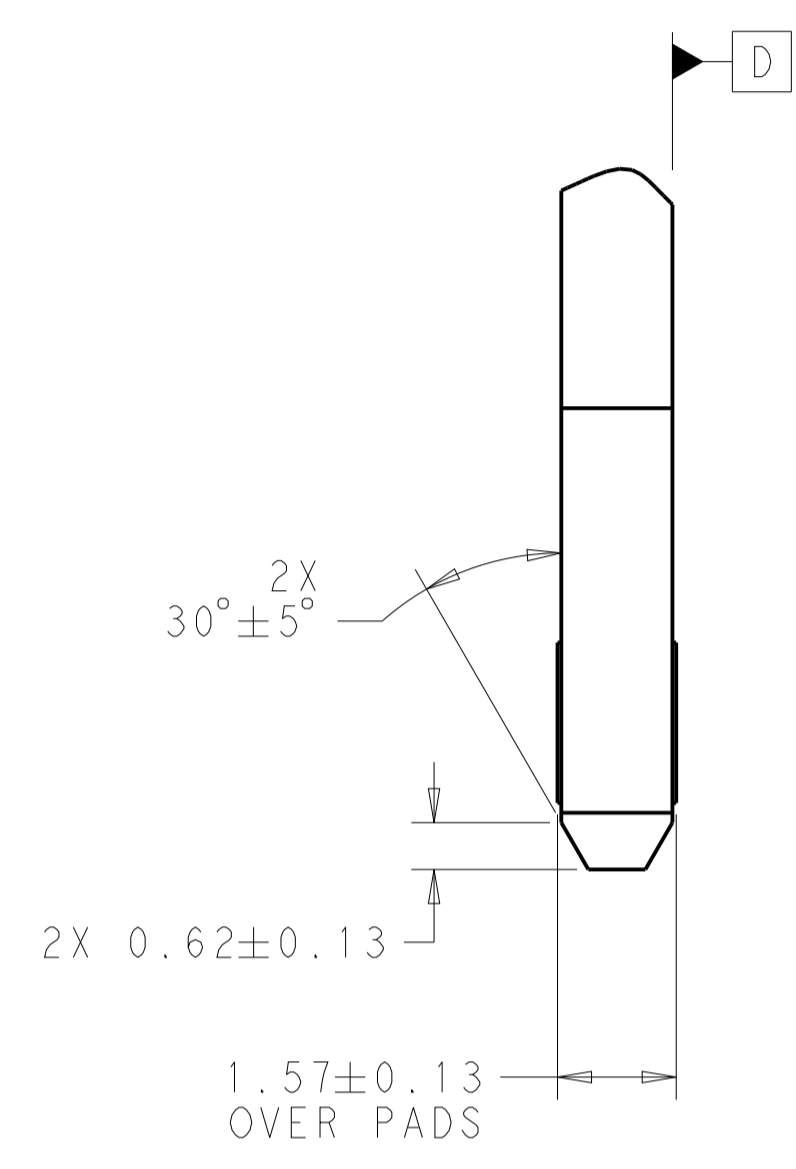
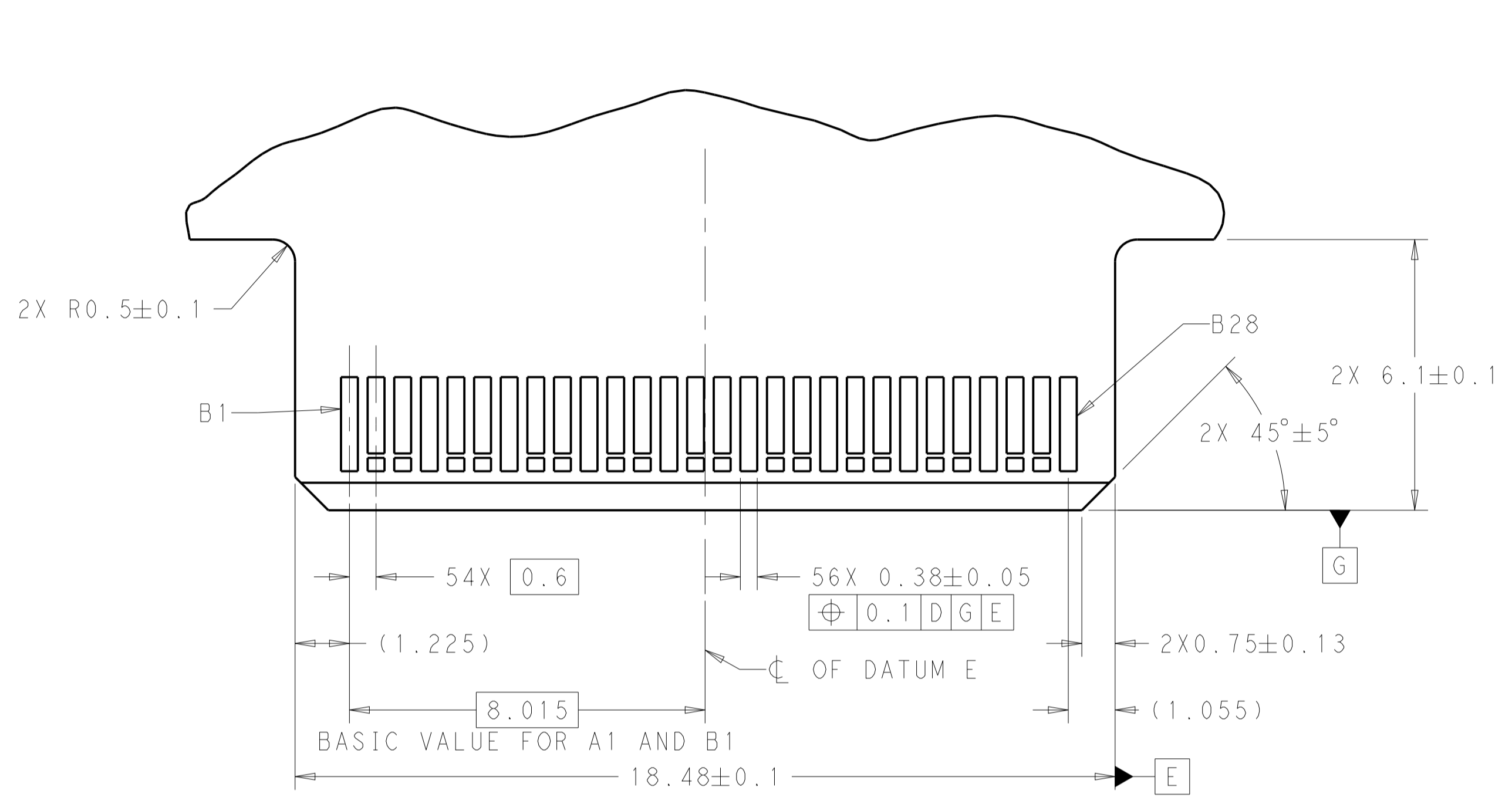


DETAIL B SCALE 20:1

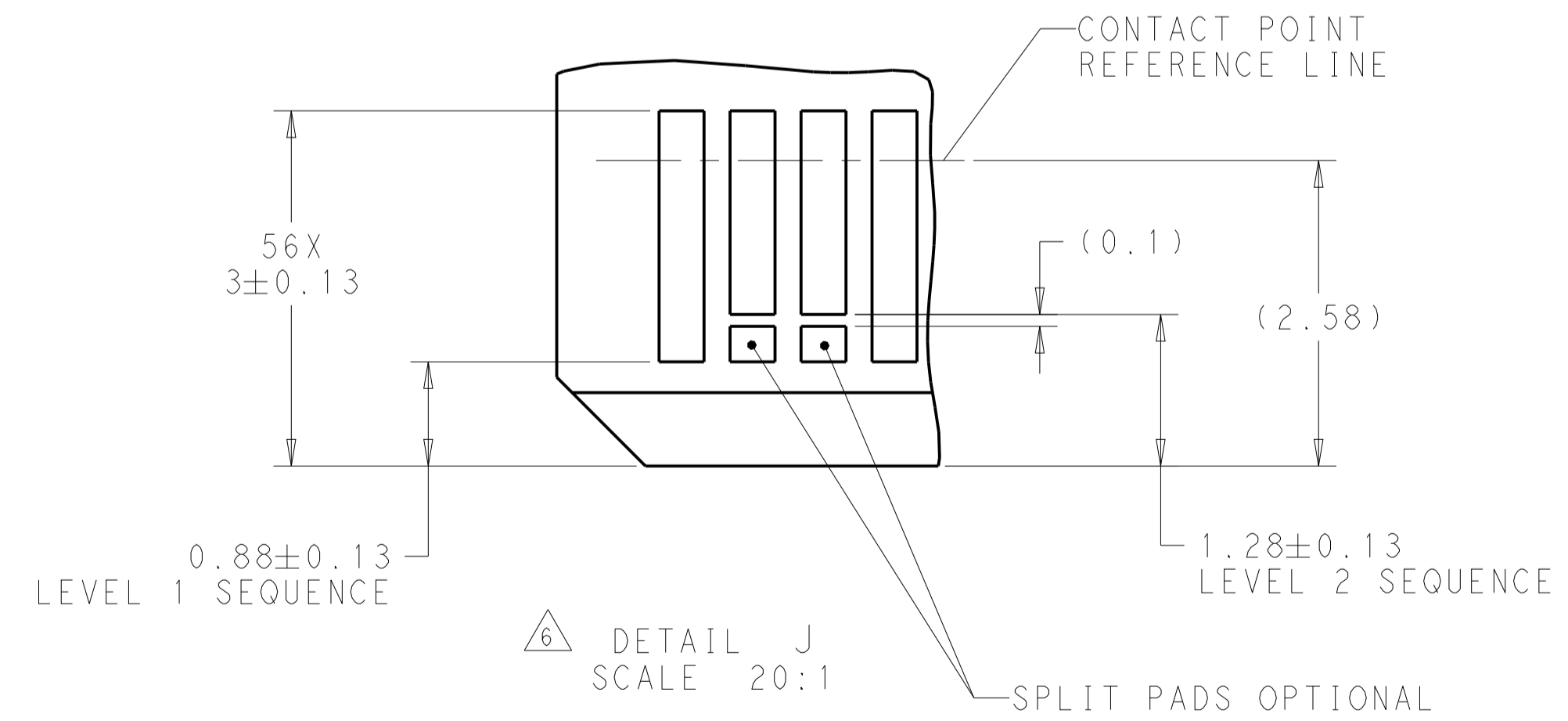


THIS DRAWING IS A CONTROLLED DOCUMENT.		DWN: C. VALENTINE 16 JAN 2018	TE Connectivity
DIMENSIONS: mm		CHK: D. HARMON 16 JAN 2018	
TOLERANCES UNLESS OTHERWISE SPECIFIED:		APVD: D. HARMON 16 JAN 2018	NAME: RECEPTACLE ASSEMBLY, VERTICAL, 56 POSITION, SLIVER 2.0
0 PLC ±	1 PLC ±0.25	PRODUCT SPEC: 108-130021	SIZE: A
3 PLC ±	4 PLC ±	APPLICATION SPEC: 114-130008	CAGE CODE: 2327679
ANGLES ±	FINISH ±	WEIGHT: -	RESTRICTED TO: -
MATERIAL:	FINISH:	CUSTOMER DRAWING	SCALE: 10:1 SHEET 2 OF 4 REV C

REVISIONS				
P.	LTN	DESCRIPTION	DATE	APVD
-	-	SEE SHEET 1	-	-



RECOMMENDED PCB OUTLINE DIMENSIONS.  
TOLERANCE VALUES ARE CRITICAL. PLEASE BE SURE TO DESIGNATE TOLERANCES TO PCB SUPPLIER TO ENSURE OPTIMIZED FUNCTIONALITY.



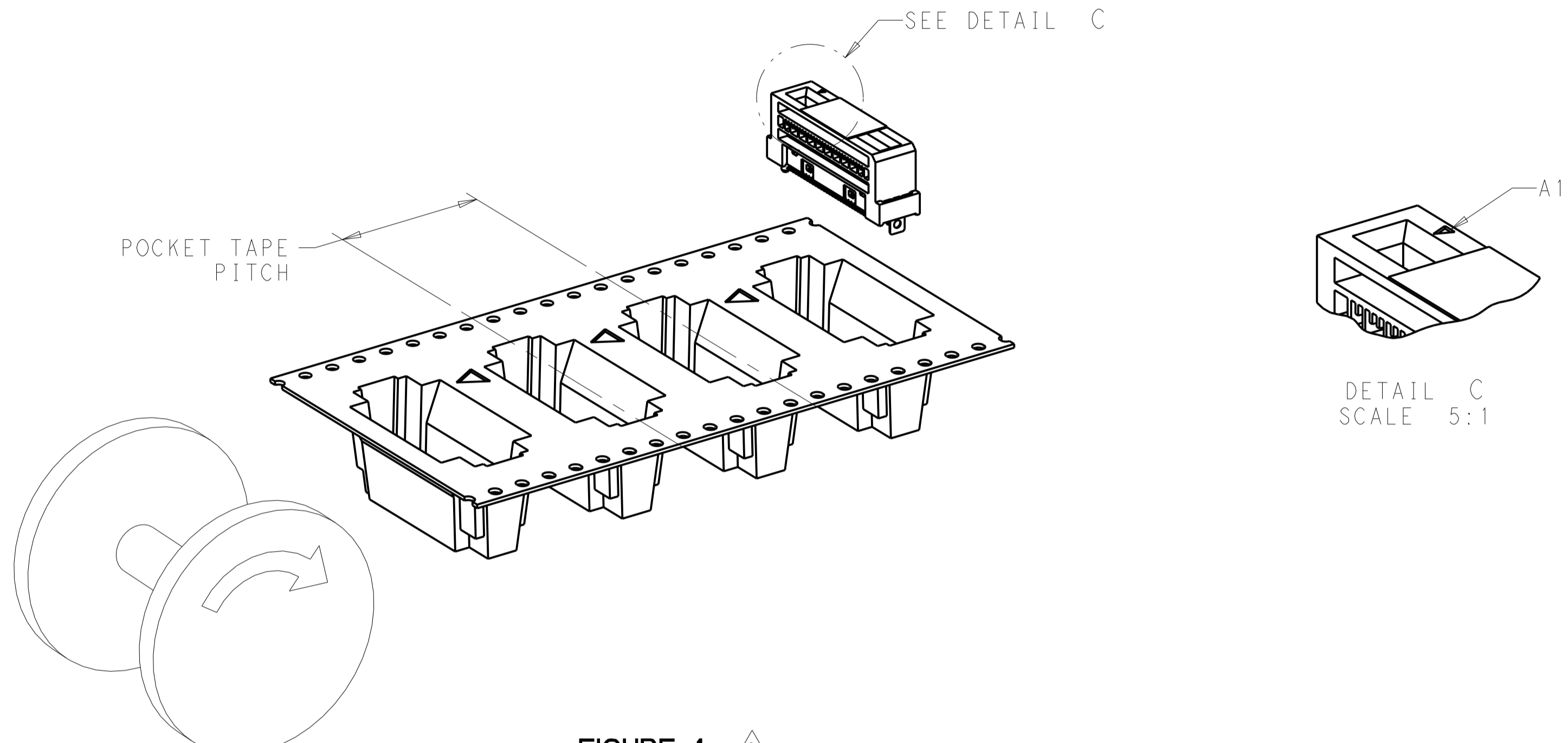
DETAIL J  
SCALE 20:1

THIS DRAWING IS A CONTROLLED DOCUMENT.		DWN C. VALENTINE 16 JAN 2018	TE Connectivity
DIMENSIONS: mm		CHK D. HARMON 16 JAN 2018	
TOLERANCES UNLESS OTHERWISE SPECIFIED:		APVD D. HARMON 16 JAN 2018	NAME RECEPTACLE ASSEMBLY, VERTICAL, 56 POSITION, SLIVER 2.0
0 PLC	±	PRODUCT SPEC	108-130021
1 PLC	±0.25	APPLICATION SPEC	114-130008
2 PLC	±0.20	SIZE	A100779
3 PLC	±	CAGE CODE	C=2327679
4 PLC	±	WEIGHT	-
ANGLES	±	CUSTOMER DRAWING	SCALE 10:1
MATERIAL	FINISH	RESTRICTED TO	SHEET 3 OF 4

REVISIONS				
P.	LTN	DESCRIPTION	DATE	APVD
-	-	SEE SHEET 1	-	-

TABLE 1: CONNECTOR CONTACT IDENTIFICATION

CONTACT NUMBER	SIDE A	SIDE B
1	GROUND	GROUND
2	SIGNAL	SIGNAL
3	SIGNAL	SIGNAL
4	GROUND	GROUND
5	SIGNAL	SIGNAL
6	SIGNAL	SIGNAL
7	GROUND	GROUND
8	SIGNAL	SIGNAL
9	SIGNAL	SIGNAL
10	GROUND	GROUND
11	SIGNAL	SIGNAL
12	SIGNAL	SIGNAL
13	GROUND	GROUND
14	SIGNAL	SIGNAL
15	SIGNAL	SIGNAL
16	GROUND	GROUND
17	SIGNAL	SIGNAL
18	SIGNAL	SIGNAL
19	GROUND	GROUND
20	SIGNAL	SIGNAL
21	SIGNAL	SIGNAL
22	GROUND	GROUND
23	SIGNAL	SIGNAL
24	SIGNAL	SIGNAL
25	GROUND	GROUND
26	SIGNAL	SIGNAL
27	SIGNAL	SIGNAL
28	GROUND	GROUND



**FIGURE 1**   
 DIRECTION OFF TOP OF REEL  
 FOR USER UNREELING  
 SHOWN AS 2327679-1 THRU 2327679-9  
 AND 2-2327679-0  
 SCALE 2:1

1.8±0.1	0.76µm Au	24	250	YES	200	3-2327679-0
3.7±0.1	0.76µm Au	20	250	YES	200	2-2327679-0
3±0.1	0.76µm Au	24	200	NO	200	1-2327679-9
	0.38µm Au				100	1-2327679-8
	FLASH Au/PdNi				50	1-2327679-7
1.2±0.1	0.76µm Au	24	250	NO	200	1-2327679-6
	0.38µm Au				100	1-2327679-5
	FLASH Au/PdNi				50	1-2327679-4
1.8±0.1	0.76µm Au	24	250	NO	200	1-2327679-3
	0.38µm Au				100	1-2327679-2
	FLASH Au/PdNi				50	1-2327679-1
3±0.1	0.76µm Au	20	250	YES	200	2327679-9
	0.38µm Au				100	2327679-8
	FLASH Au/PdNi				50	2327679-7
1.2±0.1	0.76µm Au	20	350	YES	200	2327679-6
	0.38µm Au				100	2327679-5
	FLASH Au/PdNi				50	2327679-4
1.8±0.1	0.76µm Au	20	350	YES	200	2327679-3
	0.38µm Au				100	2327679-2
	FLASH Au/PdNi				50	2327679-1
A	PLATING	POCKET TAPE PITCH	REEL QUANTITY	PICK AND PLACE TAPE	MATING CYCLES	PART NUMBER

THIS DRAWING IS A CONTROLLED DOCUMENT. **STC** VALENTINE 16 JAN 2018  
 CHK D. HARMON 16 JAN 2018  
 APVD D. HARMON 16 JAN 2018

**TE** Connectivity

NAME: RECEPTACLE ASSEMBLY, VERTICAL, 56 POSITION, SLIVER 2.0  
 PRODUCT SPEC: 108-130021  
 APPLICATION SPEC: 114-130008

SIZE: A1 CAGE CODE: 00779 DRAWING NO: 2327679  
 WEIGHT: -  
 MATERIAL: - FINISH: -

CUSTOMER DRAWING SCALE: 10:1 SHEET 4 OF 4 REV C