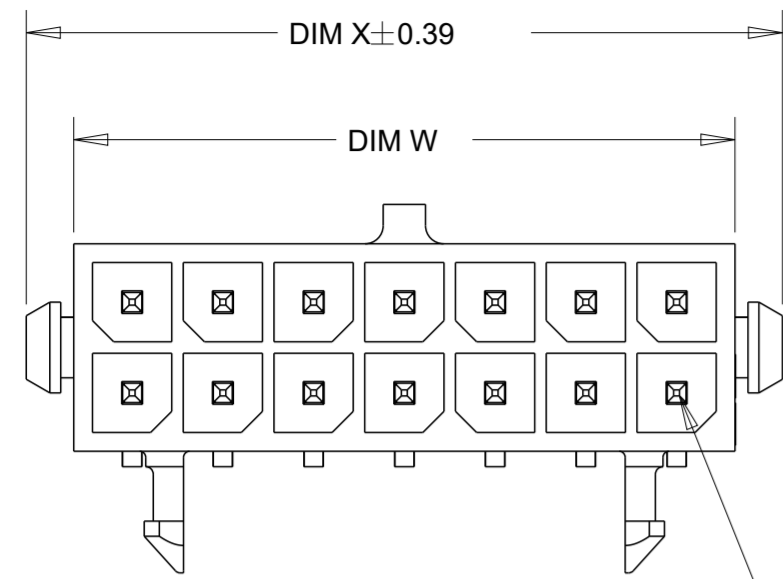
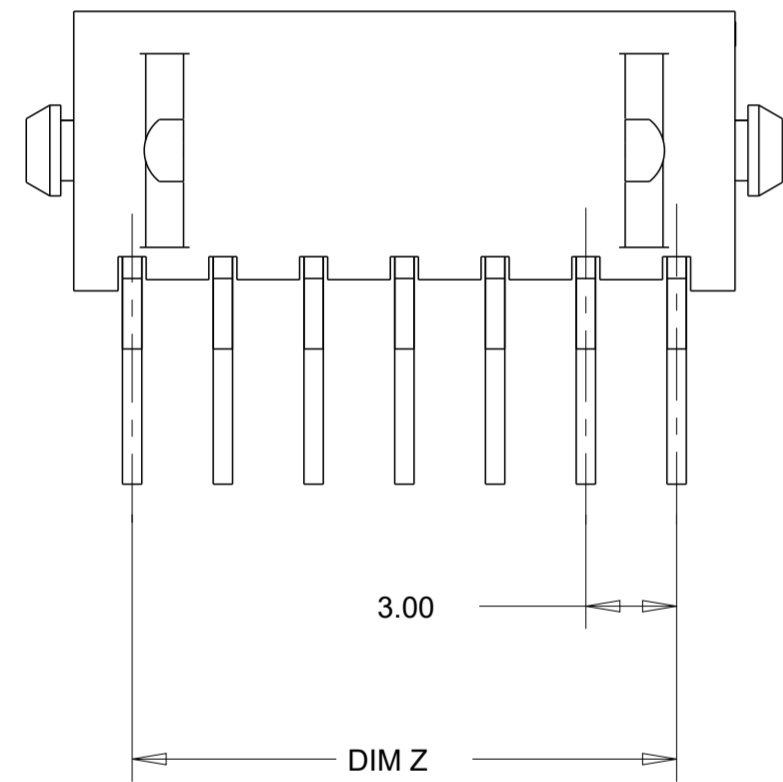
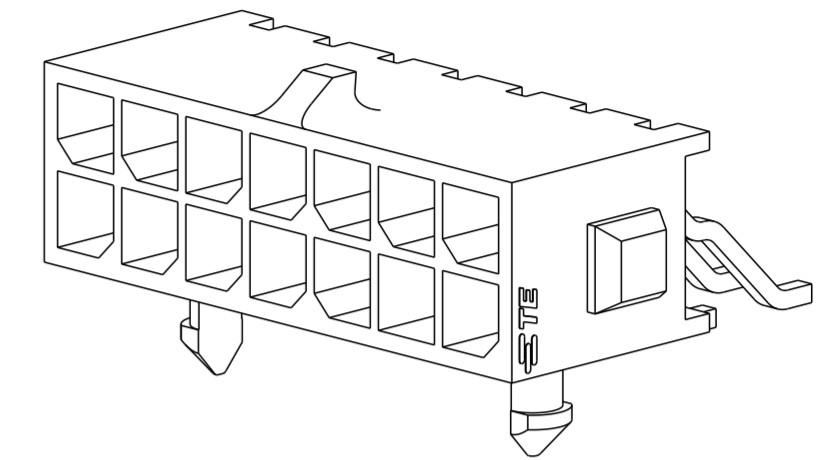
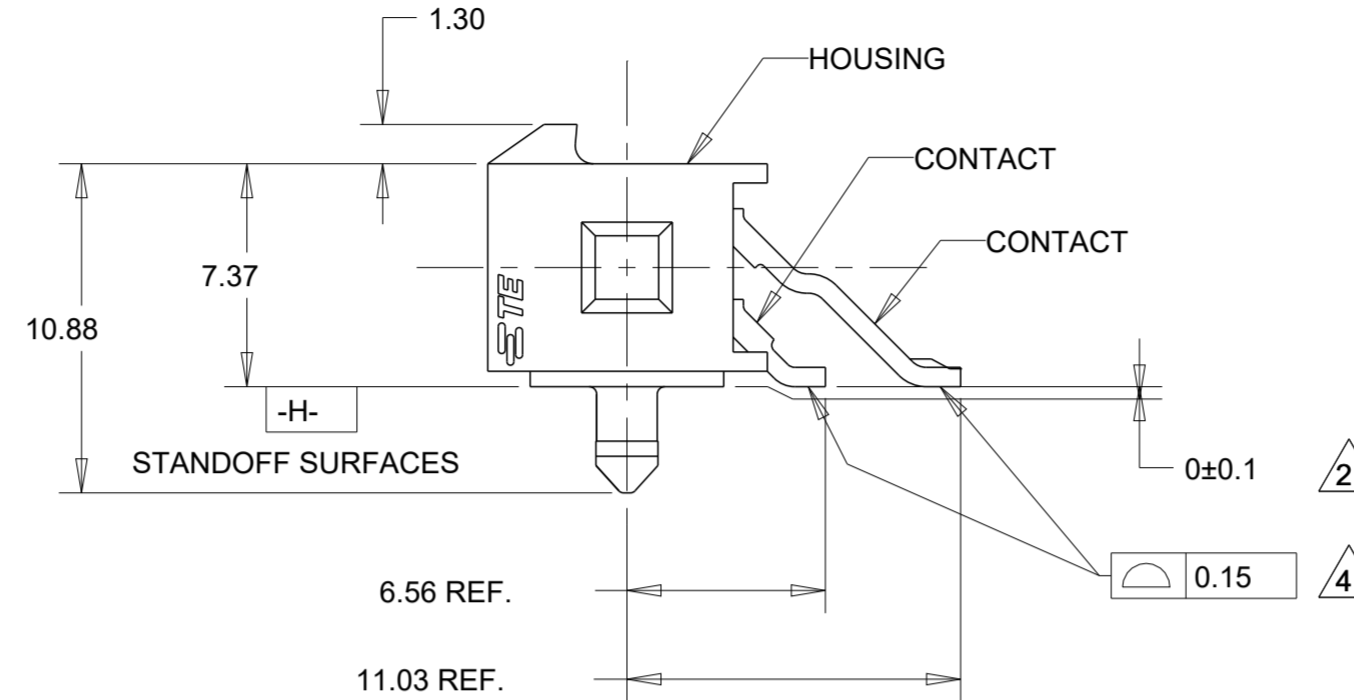


REVISIONS					
P	LTR	DESCRIPTION	DATE	DWN	APVD
G1		REVISED PER ECR-16-011494	21JUN2017	NK	CX
G2		ECO-19-006502	29APR2019	AP	WLS
G3		REVISED PER ECO-20-009852	14JUL2020	WLS	DZ
G4		REVISED PER ECN-21-100661	22FEB2021	WLS	VS



CIRCUIT NUMBER 1



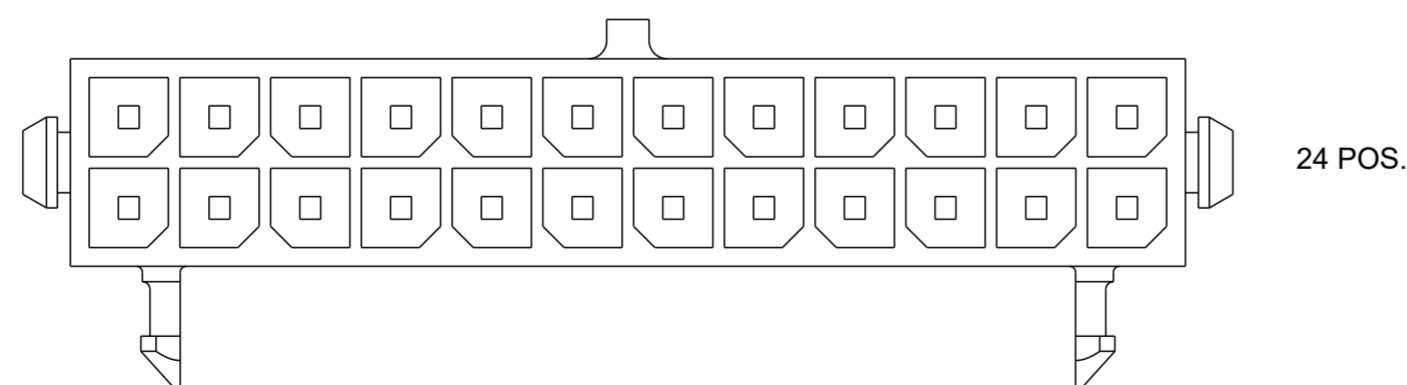
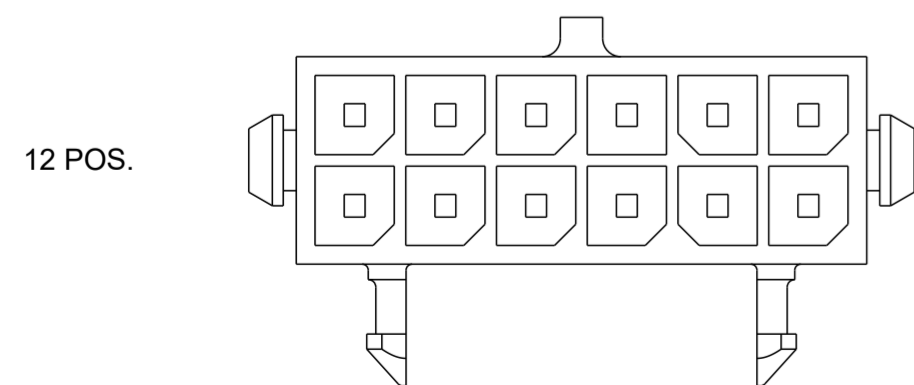
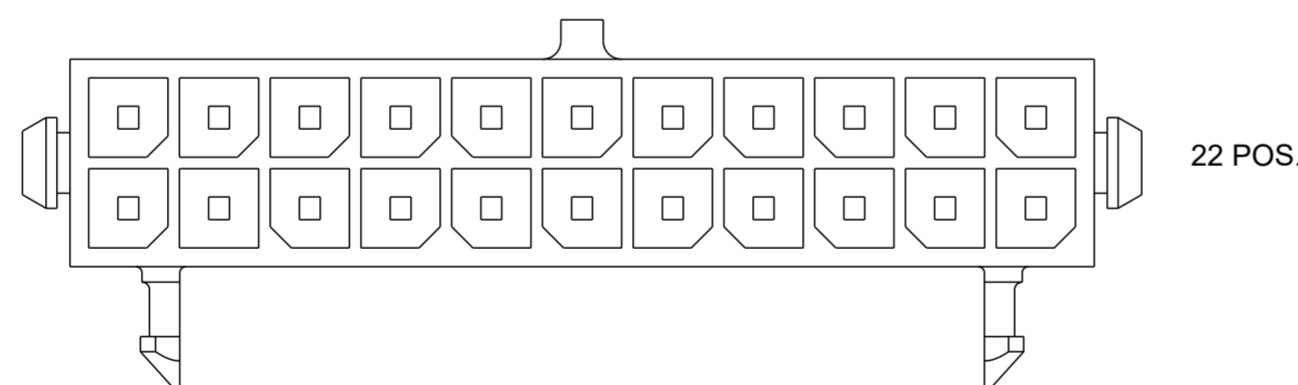
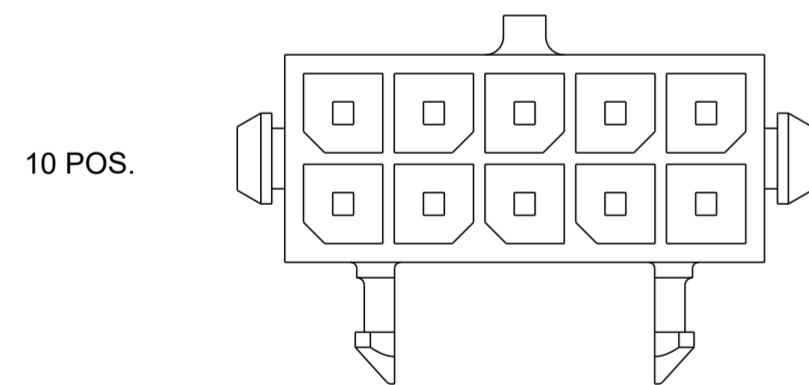
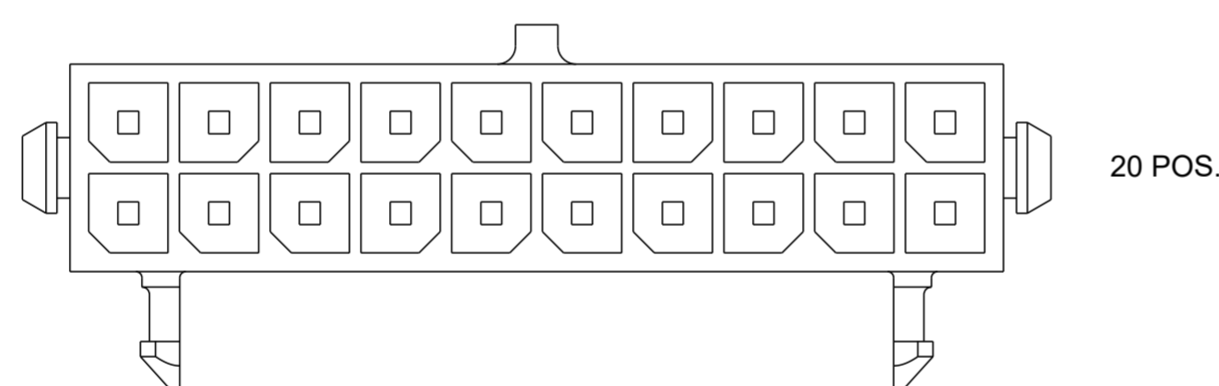
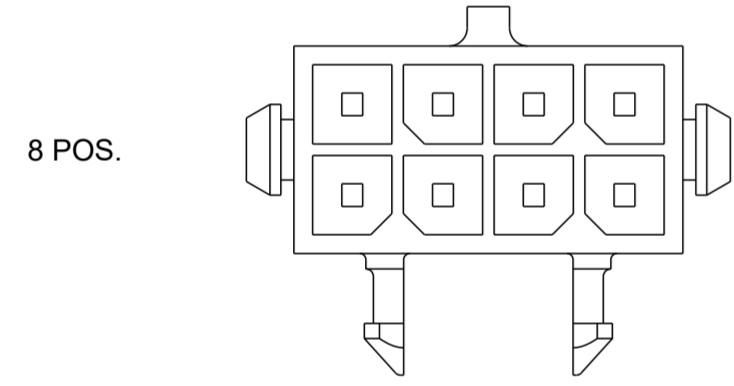
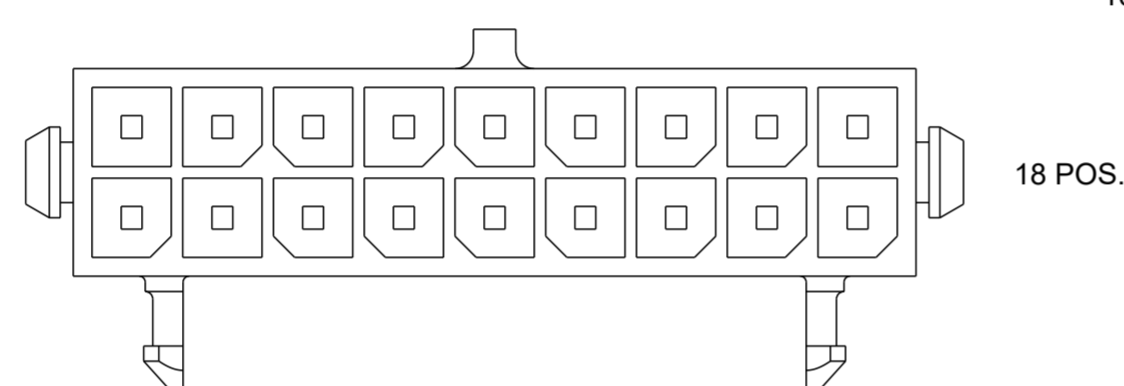
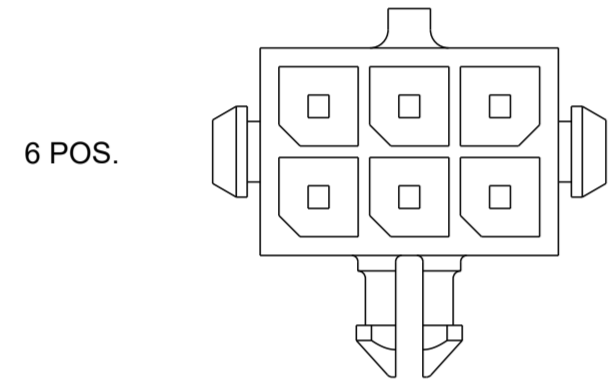
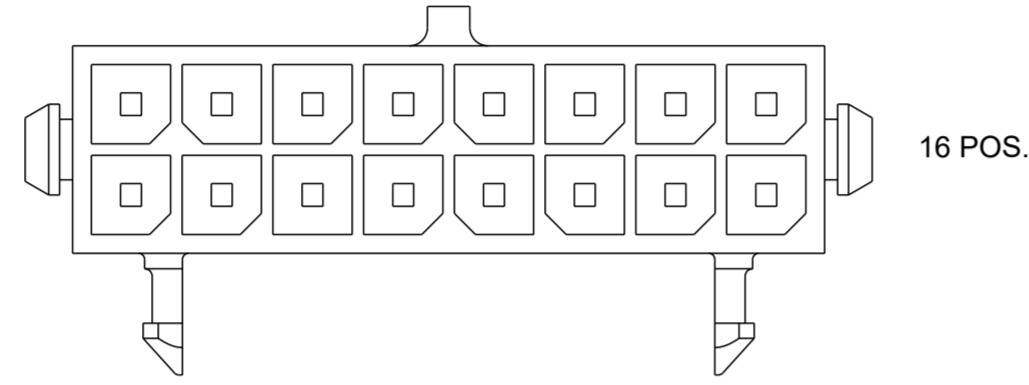
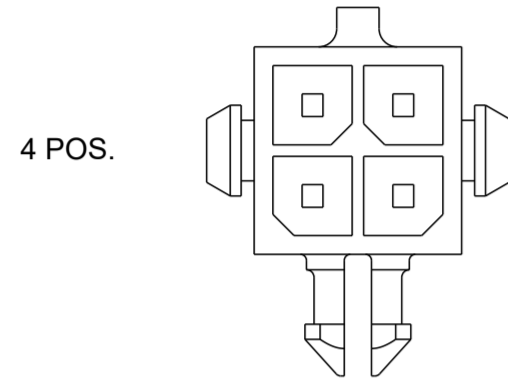
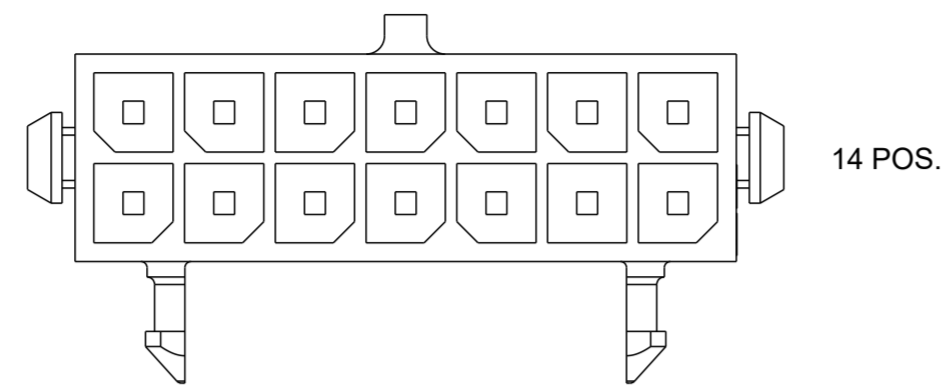
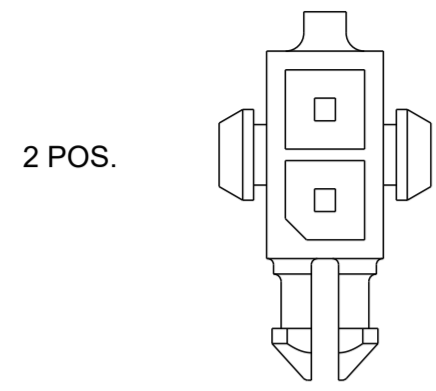
- 1 MATERIAL;
HOUSING - UL 94V-0 RATED HIGH TEMP NYLON, COLOR BLACK.
CONTACTS - BRASS.
- 2 DIMENSION APPLIES TO SOLDERTAIL SURFACES AND STANDOFF SURFACES.
- 3 RECOMMENDED PC BOARD THICKNESS OF 1.57.
- 4 ALL SOLDERTAILS.
- 5 PLATING;
CONTACTS - 0.38µm MINIMUM GOLD ON MATING AREA.
2.54µm MINIMUM MATTE TIN ON SOLDER TAILS.
ALL OVER 1.27µm MINIMUM NICKEL.

6 COUNTERPART RECOMMENDED IS PN 794617 (DASH ACCORDING TO NUMBER OF POSITION).
7 FOR REELING DIRECTION AND PACKAGING TYPE, SEE SPECIFICATION 114-13000.

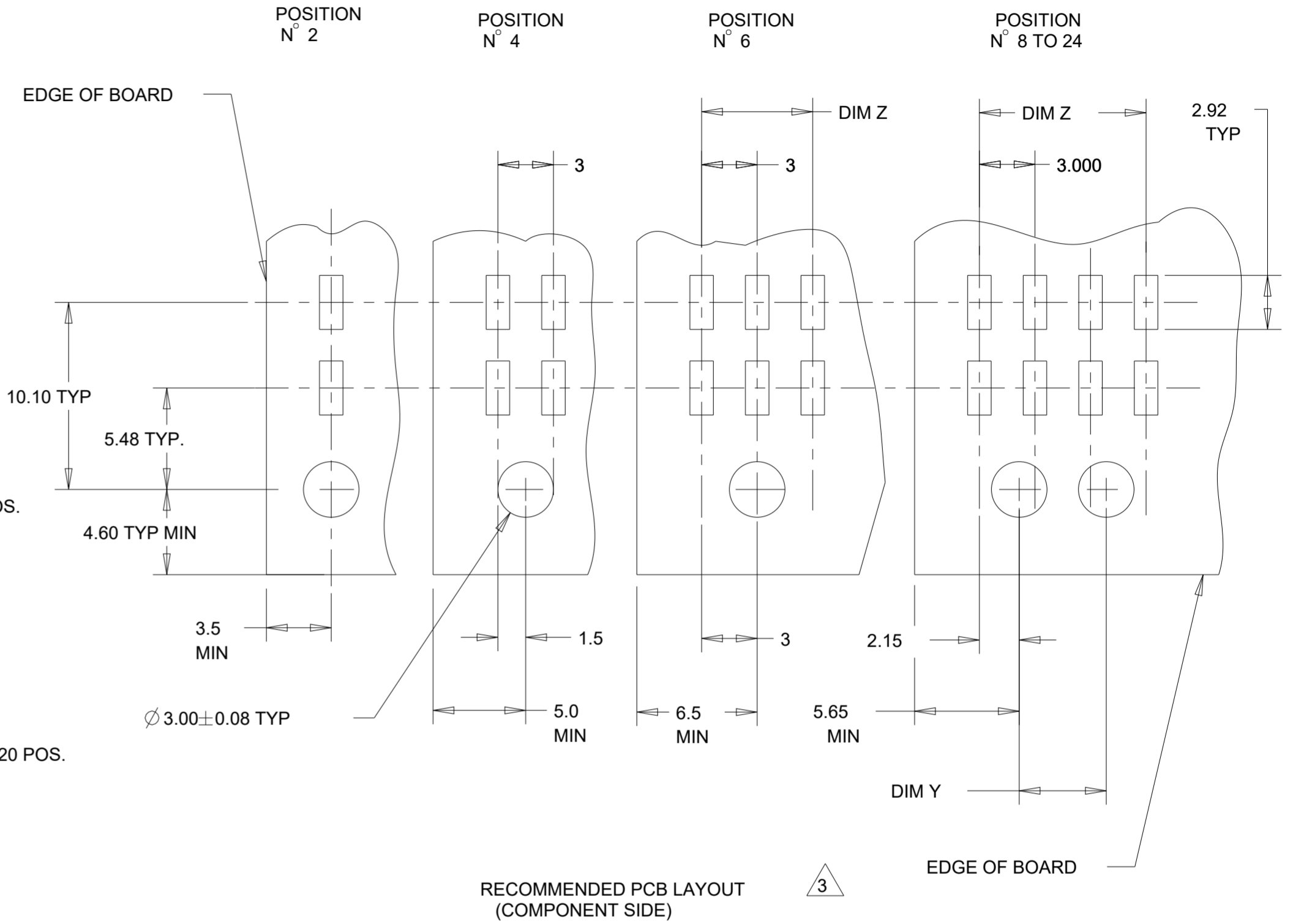
36.86	28.70	33.00	40.00	24	5-794622-4
33.86	25.70	30.00	37.00	22	5-794622-2
30.86	22.70	27.00	34.00	20	5-794622-0
27.86	19.70	24.00	31.00	18	4-794622-8
24.86	16.70	21.00	28.00	16	4-794622-6
21.86	13.70	18.00	25.00	14	4-794622-4
18.86	10.70	15.00	22.00	12	4-794622-2
15.86	7.70	12.00	19.00	10	4-794622-0
12.86	4.70	9.00	16.00	8	3-794622-8
9.86	-	6.00	13.00	6	3-794622-6
6.86	-	3.00	10.00	4	3-794622-4
3.86	-	-	7.00	2	3-794622-2
DIM W	DIM Y	DIM Z	DIM X	NO. OF POSN.	PART NUMBER

THIS DRAWING IS A CONTROLLED DOCUMENT.		DWN K. WHITAKER 28JAN2002	TE Connectivity		
		CHK C. JONES 28JAN2002			
DIMENSIONS: mm		APVD C. JONES 28JAN2002	NAME SURFACE MOUNT, R/A, 15 GOLD HEADER, PLASTIC BOARDLOCK, DUAL ROW, MICRO MATE-N-LOK (TM)		
TOLERANCES UNLESS OTHERWISE SPECIFIED: 0 PLC ± 1 PLC ± 2 PLC ±0.13 3 PLC ± 4 PLC ±		PRODUCT SPEC 108-1836	RESTRICTED TO		
ANGLES ±° FINISH		APPLICATION SPEC 114-13000	SIZE A2	CAGE CODE 00779	DRAWING NO. G-794622
MATERIAL 1		WEIGHT -	SCALE 4:1 SHEET 1 OF 2 REV G4		
		CUSTOMER DRAWING			

REVISIONS					
P	LTR	DESCRIPTION	DATE	DWN	APVD
-	-	SEE SHEET 1	-	-	-



KEYING BY POSITION SIZE



THIS DRAWING IS A CONTROLLED DOCUMENT.		DWN K. WHITAKER 28JAN2002	TE Connectivity		
		CHK C. JONES 28JAN2002			
		APVD C. JONES 28JAN2002	NAME SURFACE MOUNT, R/A, 15 GOLD HEADER, PLASTIC BOARDLOCK, DUAL ROW, MICRO MATE-N-LOK (TM)		
DIMENSIONS:		PRODUCT SPEC 108-1836	SIZE A2	CAGE CODE 00779	DRAWING NO 794622
mm	TOLERANCES UNLESS OTHERWISE SPECIFIED:	APPLICATION SPEC 114-13000	RESTRICTED TO		
	0 PLC ±	WEIGHT			
	1 PLC ±				
	2 PLC ±0.13				
	3 PLC ±				
	4 PLC ±				
	ANGLES ±°				
MATERIAL	FINISH	CUSTOMER DRAWING	SCALE 4:1	SHEET 2 OF 2	REV G4