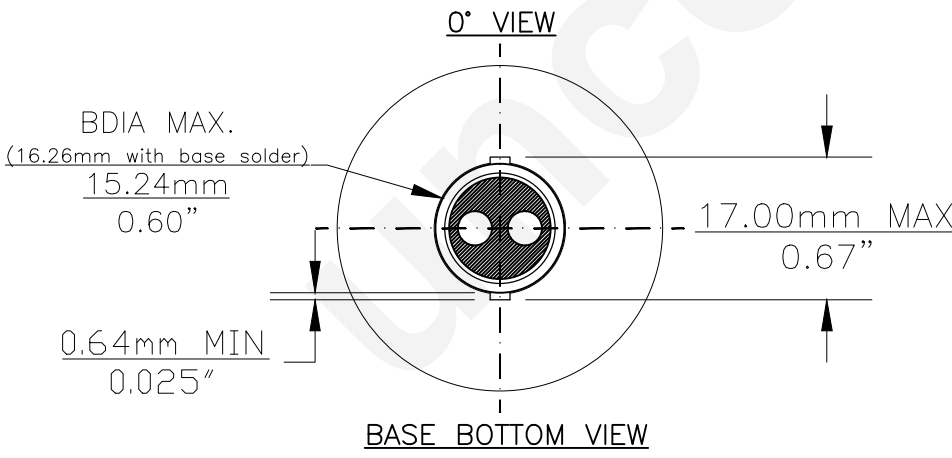
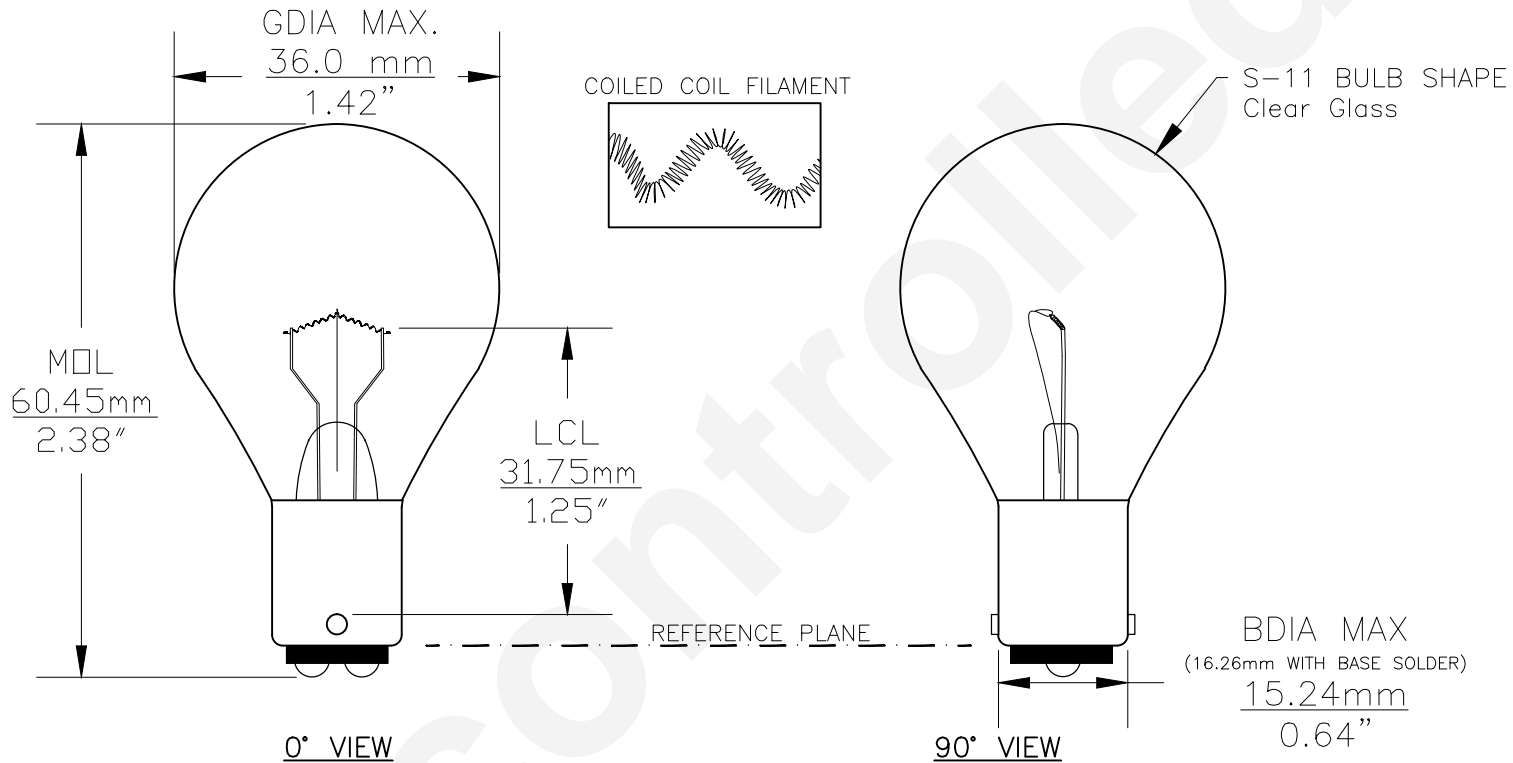




PART NO.	BASE TYPE	DESIGN VOLTS	DESIGN AMPS	MSCD	FILAMENT TYPE	AVERAGE LIFE HOURS
312	D.C. Bayonet (BA15d)	28.0V	1.29±15%	50±30%	CC-2V	300

REVISIONS			
REV #	DESCRIPTION	DATE	APPROVED
1	ISSUED	10/31/2014	R.M.



Note: Made according to SAE specifications



UNLESS OTHERWISE SPECIFIED: DIMENSIONS ARE IN INCHES TOLERANCES		CEC INDUSTRIES LTD	
DECIMALS	ANGULAR	599 BOND STREET LINCOLNSHIRE, IL 60069	
.XX ± .05	± 0.5°	TITLE LIGHT BULB NO. 312	
.XXX ± .010		SIZE A	REV 1
FRACTIONAL	± 1/64	FSCM NO.	DWG NO. 312
DRAWN ROSE MEDINA	DATE 10/31/2014	SCALE	SHEET 1 OF 1
CHECKED		PLOT SCALE	DRAWING NOT TO SCALE
DESIGN		FILE 312.pdf	
MATERIAL			