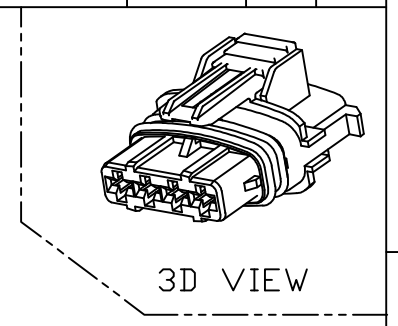
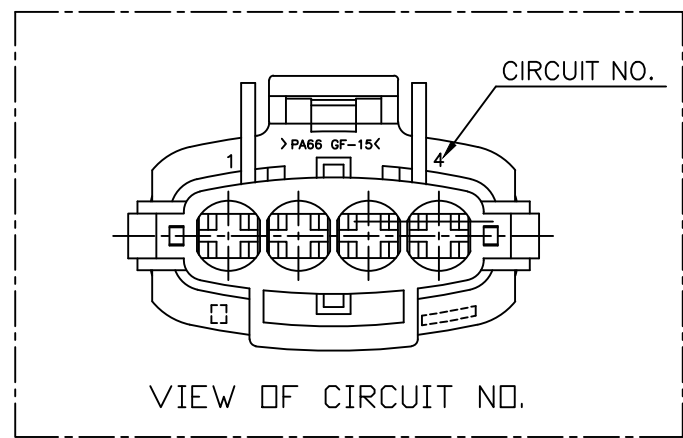
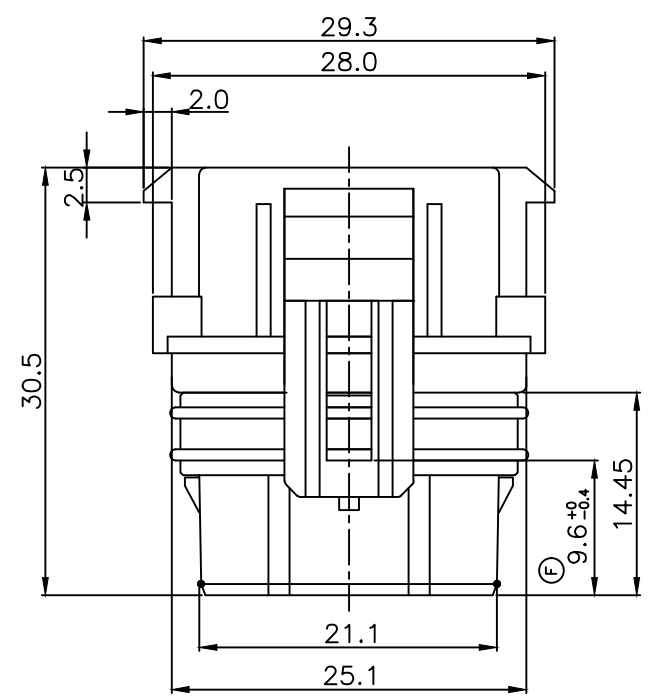


THIS DRAWING IS UNPUBLISHED. RELEASED FOR PUBLICATION  
 © COPYRIGHT BY TYCO ELECTRONICS CORPORATION, ALL RIGHTS RESERVED.

LOC	DIST	REVISIONS				
P	LTR	DESCRIPTION	DATE	DWN	APVD	
DS	-	F	REVISED (ECR-15-013277)	09.SEP.'15	SJ	HG
		F1	REVISED (ECR-16-018314)	29.DEC.'16	SJ	JW

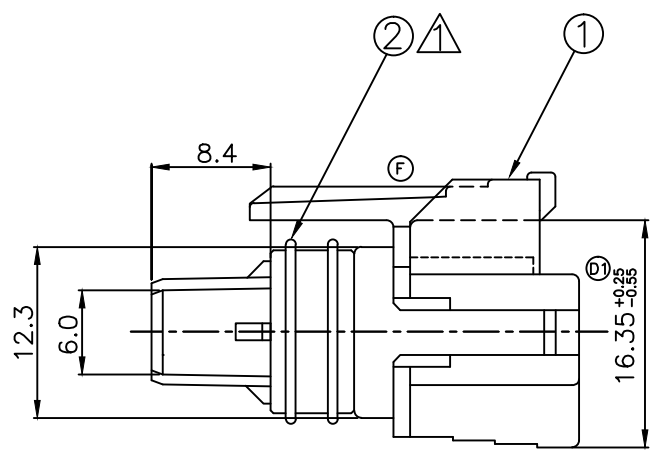
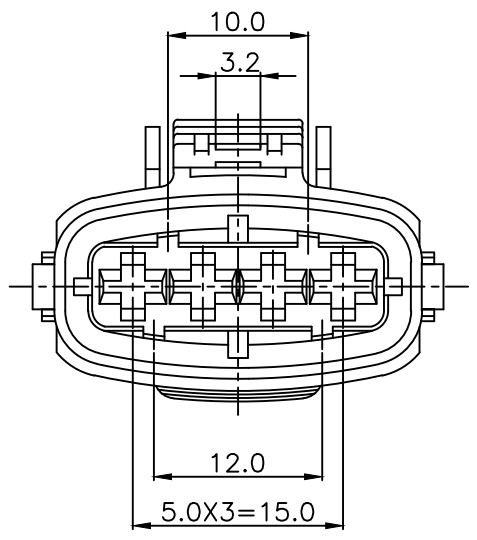


NOTES  
 1. RUBBER SEAL CONDITION

COLOR	P/N	HARDNESS	OIL CONTAINS
ORANGE	368840-1	40° ± 5°	3%
BLUE	368840-2	40° ± 5°	3%

2. APPLICABLE CONTACT P/N

TML	P/N	DESCRIPTION	WIRE SIZE
	929941	JPT CONTACT	0.3mm <sup>2</sup>
	929939	JPT CONTACT	0.5-1.0mm <sup>2</sup>
	929937	JPT CONTACT	1.0-2.5mm <sup>2</sup>
	927772-3	JPT CONTACT	0.3mm <sup>2</sup>
	927770-3	JPT CONTACT	0.5-1.0mm <sup>2</sup>
	927766-3	JPT CONTACT	1.0-2.5mm <sup>2</sup>



No.	COLOR	MATERIAL	DESCRIPTION	P/N	QTY
②	BLUE	SILICONE(LSR)	RUBBER SEAL	368840-2	1
	ORANGE	SILICONE(LSR)	RUBBER SEAL	368840-1	1
①	BLACK	PA66 + GF15%	JPT 4P HSG	368130-1	1

THIS DRAWING IS A CONTROLLED DOCUMENT FOR TYCO ELECTRONICS CORPORATION. IT IS SUBJECT TO CHANGE AND THE CONTROLLING ENGINEERING ORGANIZATION SHOULD BE CONTACTED FOR THE LATEST REVISION.

DIMENSIONS: MM	TOLERANCES UNLESS OTHERWISE SPECIFIED: 0 <XX<10 ± 0.2 10<XX<30 ± 0.25 30<XX ± 0.3 ANGLES ± 3°	DWN SJ CHOI			
		CHK JW JUNG			
MATERIAL SEE TABLE	FINISH	APVD HG CHD	NAME JPT 4P CONNECTOR ASS'Y FOR MAP SENSOR		
		PRODUCT SPEC 108-61025	SIZE A3	CAGE CODE 00779	DRAWING NO C-368162
		APPLICATION SPEC 114-18018	WEIGHT		SCALE 2/1
		CUSTOMER DRAWING		SHEET 1 OF 1	REV F1