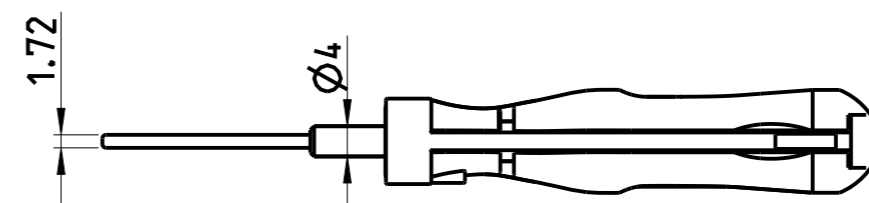
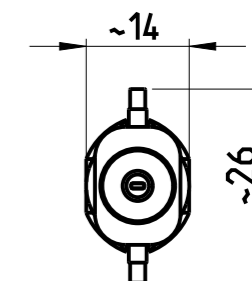
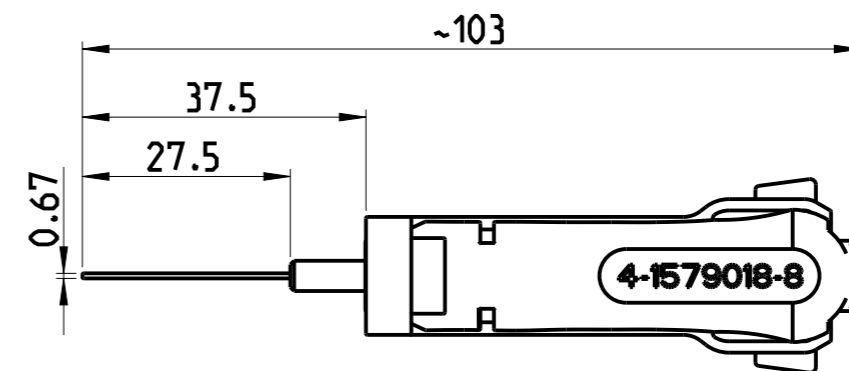
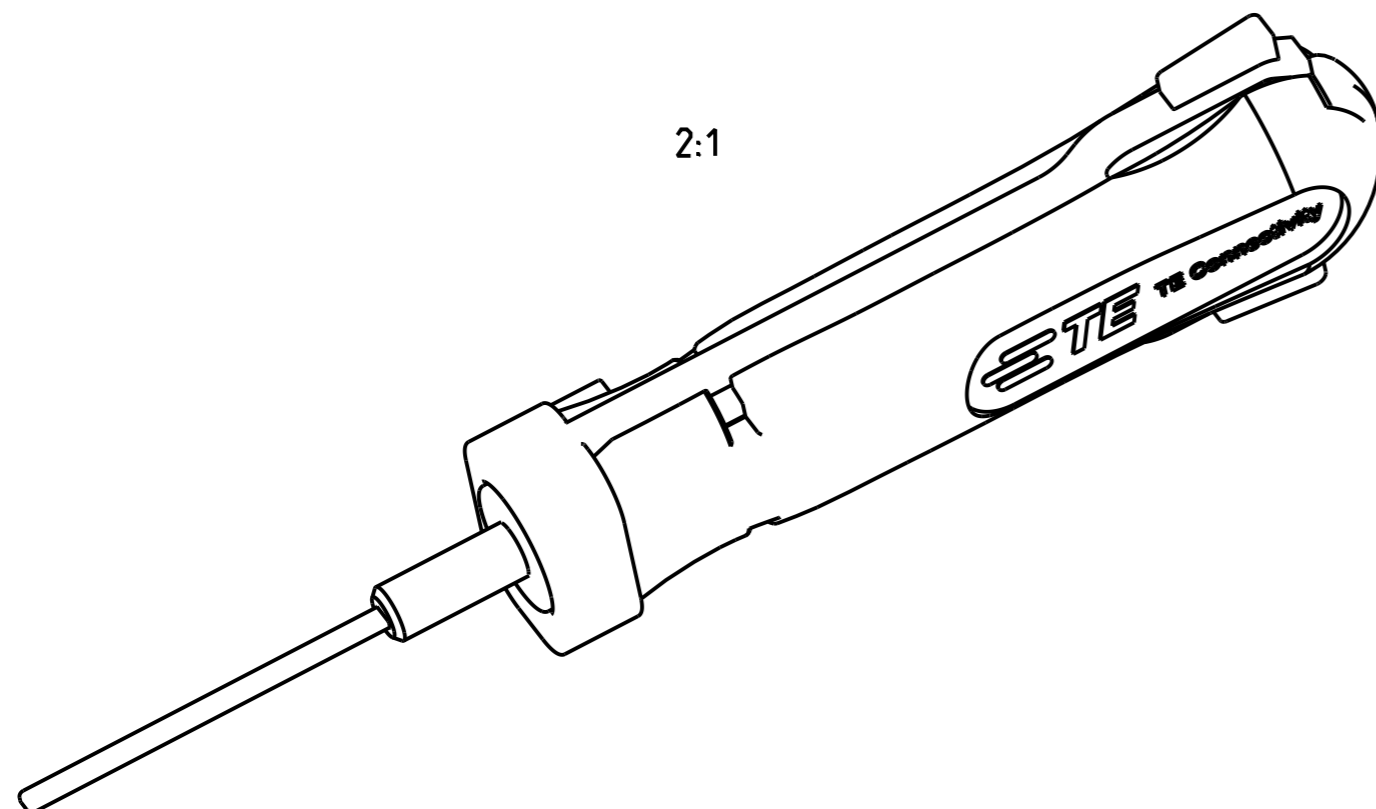


© 2020 TE Connectivity. All Rights Reserved.

REVISIONS

P	LTR	DESCRIPTION	DATE	DWN	APVD
A		INITIAL REVISION	16 JUL 2009	SA	SA
A1		ECR-21-001703	12 FEB 2021	PNT	GS



APPLICATION RANGE / Anwendungsbereich:

FOR MCP 1.5 PLUG :963531-1
 FOR MCP HOUSING :1418883

THIS DRAWING IS A CONTROLLED DOCUMENT.		DWN L. Sandhu 16 JUL 2009		
		CHK S. Samstag 16 JUL 2009		
		APVD S. Samstag 16 JUL 2009	NAME EXTRACTION TOOL Entriegelungswerkzeug	
DIMENSIONS: mm		TOLERANCES UNLESS OTHERWISE SPECIFIED:		PRODUCT SPEC
		0 PLC ± 1 PLC ± 2 PLC ± 3 PLC ± 4 PLC ± ANGLES ±		APPLICATION SPEC
MATERIAL		FINISH		WEIGHT 0.013 kg
				SIZE A3
				CAGE CODE 00779
				DRAWING NO C-4-1579018-8
				RESTRICTED TO -
		CUSTOMER DRAWING		SCALE 1:1
				SHEET 1 OF 1
				REV A1