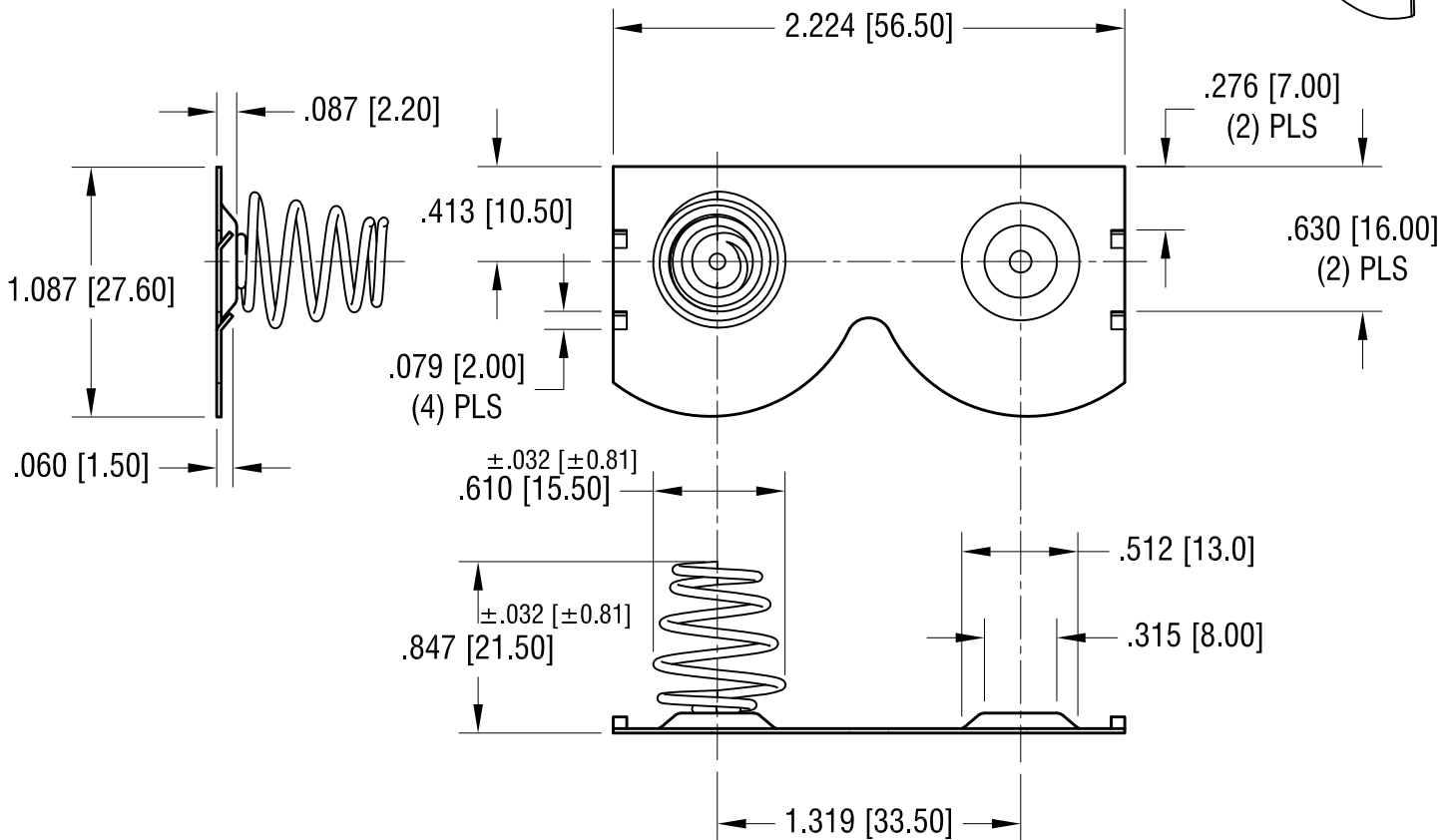
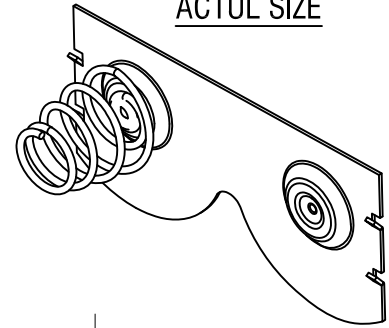


THIS DOCUMENT IS THE PROPERTY OF
KEYSTONE ELECTRONICS CORP. AND
SHALL NOT BE REPRODUCED, DISTRIBUTED
OR USED AS A BASIS FOR MANUFACTURE
WITHOUT PRIOR WRITTEN PERMISSION
FROM KEYSTONE ELECTRONICS CORP.

ACTUL SIZE



NOTES:

1. BASE:

MAT'L - .020 [0.50] TH'K STEEL

SPRING CONTACT:

MAT'L - .040 [1.02] DIA. MUSIC WIRE

KEYSTONE ELECTRONICS CORP.

www.keyelco.com • NEW HYDE PARK, NY 11040 • Tel (516) 328-7500

PART NAME

DUAL BATTERY CONTACT

MATERIAL

AS NOTED

FINISH

NICKEL PLATE

DRN BY

NT

DATE

3.31.09

APP'D

LN

SCALE

1.2X

10.19.15 CHANGE AS PER ECN 15-124

A

TOLERANCES

INCH [MM]

DECIMAL ± .005 [± 0.13]

CODE

C

DWG NO.

5252

DATE

DESCRIPTION

REV.

UNLESS OTHERWISE SPECIFIED