

**MATERIALS**

**HOUSING:**

ALUMINUM 6061-T6, NICKEL PLATE PER SAE-AMS-2404

**INSULATOR:**

LIQUID CRYSTAL POLYMER (LCP) PER ASTM D5138

**CONTACT:**

COPPER ALLOY PER MIL-DTL-83513, GOLD PLATED PER ASTM B488, (HARD GOLD) TYPE II CODE C CLASS 1.27

**WIRE:**

NEMA HP3 TYPE E, COLOR CODED IAW MIL-STD-681, SYSTEM 1, USING TEN SOLID REPEATING COLORS

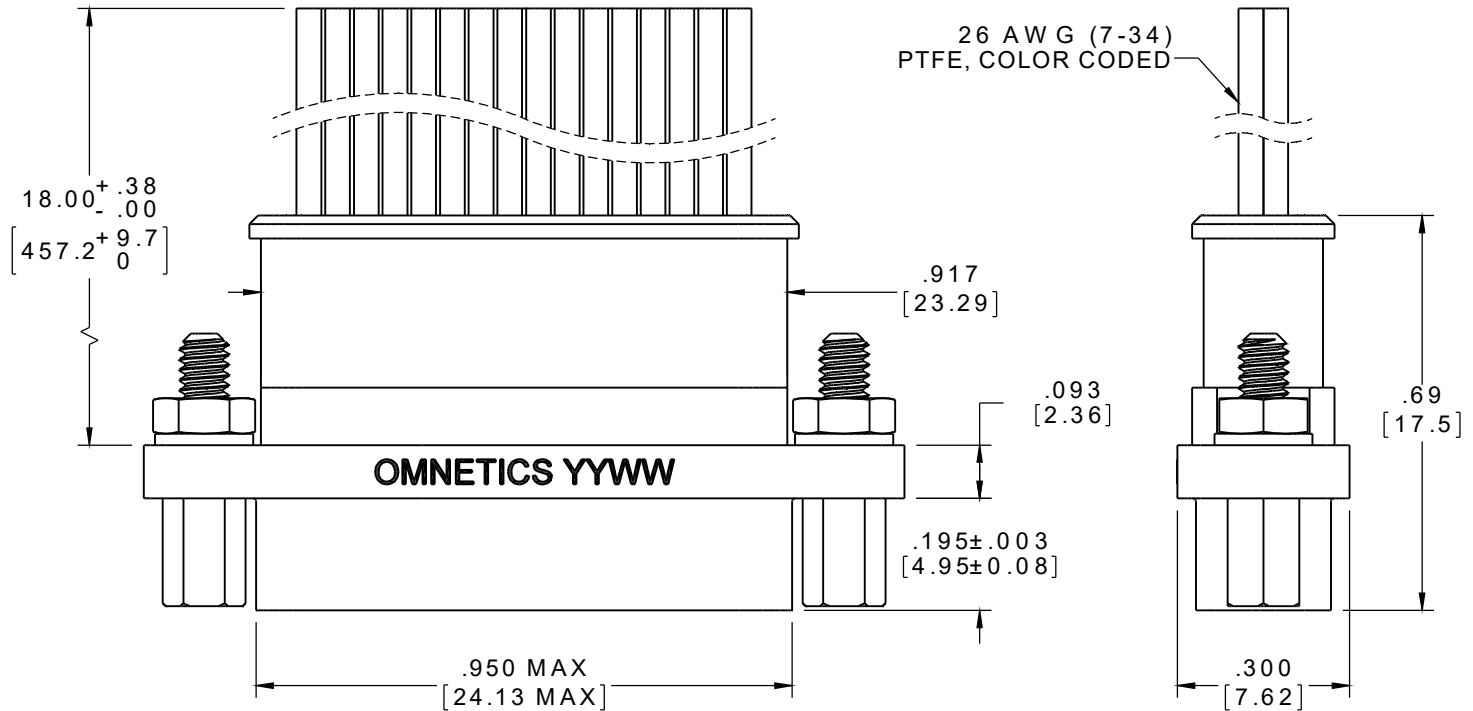
**INTERFACIAL SEAL:**

SILICONE RUBBER PER A-A-59588

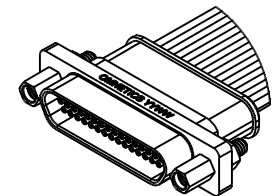
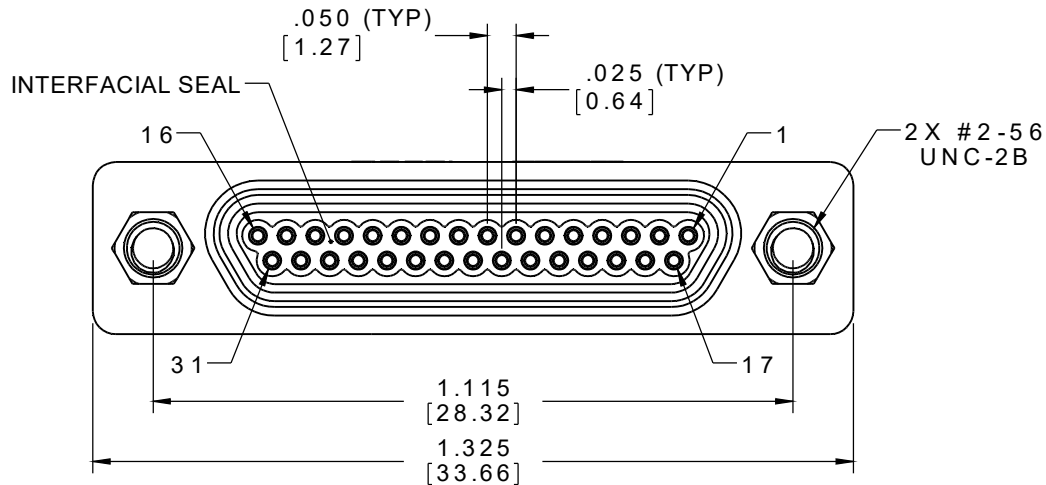
**HARDWARE:**

STAINLESS STEEL, PASSIVATED PER SAE-AMS-2700

|          |            |     |        |          |     |
|----------|------------|-----|--------|----------|-----|
| PART NO. | A99279-031 | REV | ECO    | DATE     | APP |
|          |            | A   | 102791 | 08-09-16 | HV  |



| SOCKET #      | COLOR  |
|---------------|--------|
| 1, 11, 21, 31 | BLACK  |
| 2, 12, 22     | BROWN  |
| 3, 13, 23     | RED    |
| 4, 14, 24     | ORANGE |
| 5, 15, 25     | YELLOW |
| 6, 16, 26     | GREEN  |
| 7, 17, 27     | BLUE   |
| 8, 18, 28     | VIOLET |
| 9, 19, 29     | GRAY   |
| 10, 20, 30    | WHITE  |



ACTUAL SIZE EXCLUDING WIRE LENGTH

**RoHS**

INTERNAL USE ONLY  
USE MFG LOADING  
PROCEDURE MMDS-031

**NOTE:**

DIMENSIONS IN [ ] ARE IN MILLIMETERS UNLESS OTHERWISE NOTED AND ARE FOR REFERENCE ONLY

|              |  |  |               |   |   |                    |   |
|--------------|--|--|---------------|---|---|--------------------|---|
| MMDS<br>SLDW | THIRD ANGLE  | THIS DRAWING CONTAINS CONFIDENTIAL AND PROPRIETARY INFORMATION WHICH IS THE PROPERTY OF OMNETICS CONNECTOR CORP. THIS DOCUMENT MAY NOT, IN WHOLE OR IN PART, BE DUPLICATED, OR DISCLOSED FOR ANY PURPOSE, WITHOUT WRITTEN PERMISSION FROM OMNETICS CONNECTOR CORP. |               | <b>OMNETICS</b><br><b>CONNECTOR CORPORATION</b><br>7260 COMMERCE CIRCLE EAST<br>MINNEAPOLIS, MN 55432<br>WWW.OMNETICS.COM | CAGE CODE 61873   |                    |   |
|              | -TOLERANCES-<br>UNLESS OTHERWISE NOTED                               | DFTM. HV   | DATE 05-31-16 |   | TITLE:  | DWG NO. A99279-031 |   |
|              | DIMENSIONS IN INCHES   | CHK'D.   | DATE          |   | (31) SOCKET FEMALE<br>MICRO-D CONNECTOR<br>W/ JACKPOSTS | SHEET 1 OF 1       |   |
|              | 2 PL DEC ± .01<br>3 PL DEC ± .005<br>4 PL DEC ± .0005<br>ANGLES ± 1° | APP'D.   | DATE          |   |   | REV                | A |

|            |  |
|------------|--|
| SCALE: 3:1 |  |
|------------|--|