

DESIGNED & DIMENSIONED
IN MILLIMETERS [INCHES]

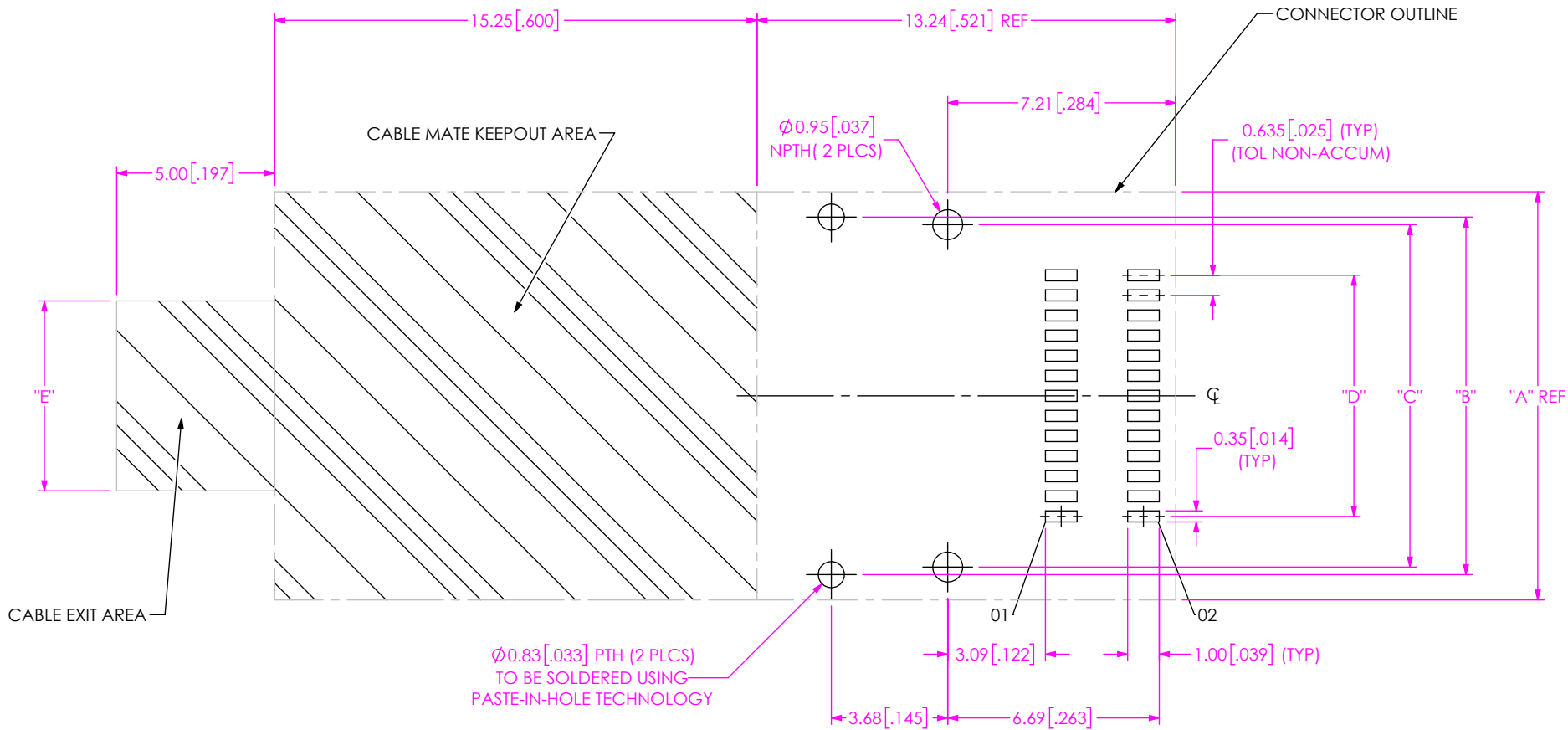


FIG 1
ARF6-08-X-RA-TR PCB LAYOUT SHOWN
ALL DIMENSIONS ARE SYMMETRIC ABOUT THE CENTERLINE

NO OF PAIRS	"A"	"B"	"C"	"D"	"E"
-08	12.90 [0.508]	11.30 [0.445]	10.82 [0.426]	7.62 [0.300]	6.00 [0.236]
-16	20.50 [0.807]	18.92 [0.745]	18.44 [0.726]	15.24 [0.600]	13.62 [0.536]
-24	27.96 [1.101]	26.54 [1.045]	26.06 [1.026]	22.86 [0.900]	21.24 [0.836]

NOTES:

- 1. SAMTEC RECOMMENDS IMPLEMENTING A GND REFERENCE TYING ALL GROUNDS TOGETHER IN PCB.

PROPRIETARY NOTE
THIS DOCUMENT CONTAINS CONFIDENTIAL AND PROPRIETARY INFORMATION AND ALL DESIGN, MANUFACTURING, REPRODUCTION, USE, PATENT RIGHTS AND SALES RIGHTS ARE EXPRESSLY RESERVED BY SAMTEC, INC. THIS DOCUMENT SHALL NOT BE DISCLOSED, IN WHOLE OR PART, TO ANY UNAUTHORIZED PERSON OR ENTITY NOR REPRODUCED, TRANSFERRED OR INCORPORATED IN ANY OTHER PROJECT IN ANY MANNER WITHOUT THE EXPRESS WRITTEN CONSENT OF SAMTEC, INC.



520 PARK EAST BLVD, NEW ALBANY, IN 47150
PHONE: 812-944-6733 FAX: 812-948-5047
e-Mail info@SAMTEC.com code 55322

NOTE:
STENCIL TO BE .0060[.152] THICK.

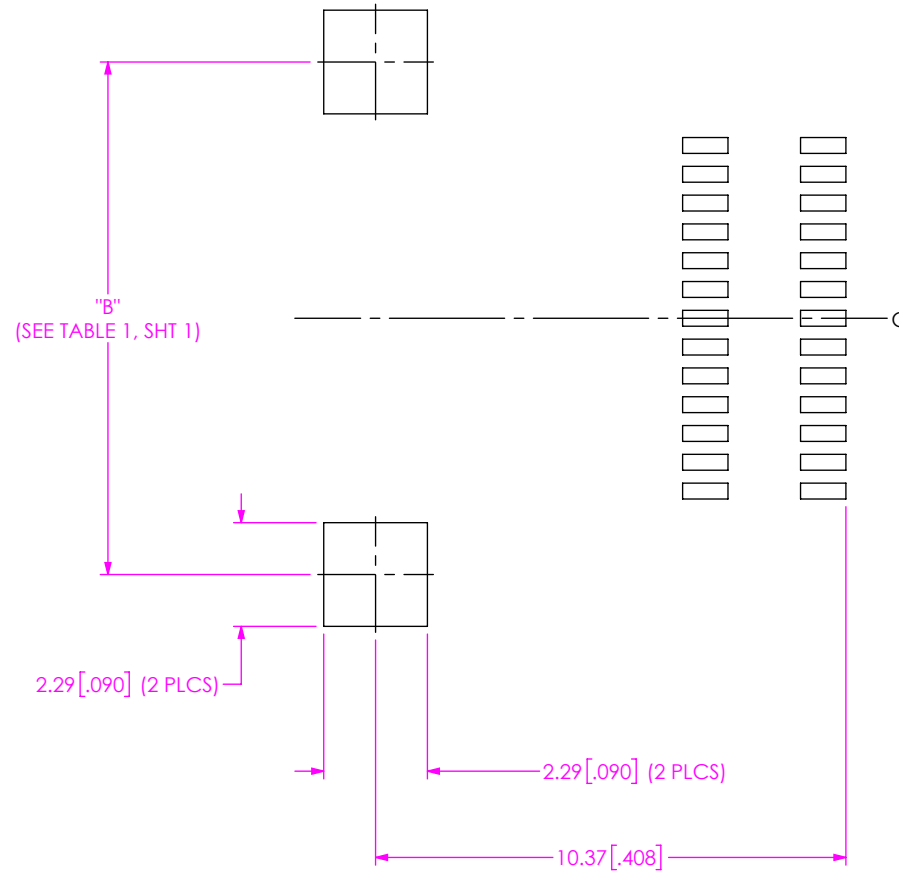


FIG 2
ARF6-08-X-RA-TR STENCIL SHOWN
(DIFFERENT AS SHOWN, OTHERWISE SAME AS FIG 1)
ALL DIMENSIONS ARE SYMMETRIC ABOUT THE CENTERLINE

• PROPRIETARY NOTE •
THIS DOCUMENT CONTAINS CONFIDENTIAL AND PROPRIETARY INFORMATION AND ALL DESIGN, MANUFACTURING, REPRODUCTION, USE, PATENT RIGHTS AND SALES RIGHTS ARE EXPRESSLY RESERVED BY SAMTEC, INC. THIS DOCUMENT SHALL NOT BE DISCLOSED, IN WHOLE OR PART, TO ANY UNAUTHORIZED PERSON OR ENTITY NOR REPRODUCED, TRANSFERRED OR INCORPORATED IN ANY OTHER PROJECT IN ANY MANNER WITHOUT THE EXPRESS WRITTEN CONSENT OF SAMTEC, INC.



520 PARK EAST BLVD, NEW ALBANY, IN 47150
PHONE: 812-944-6733 FAX: 812-948-5047
e-Mail info@SAMTEC.com code 55322